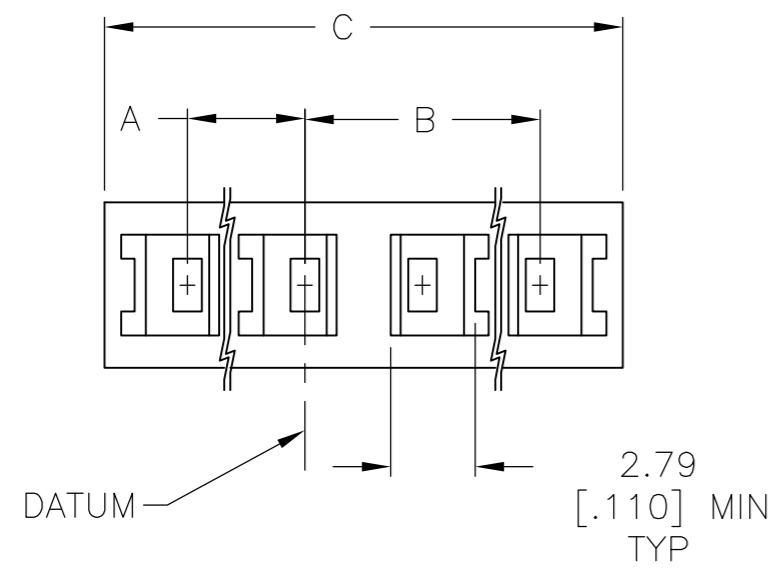
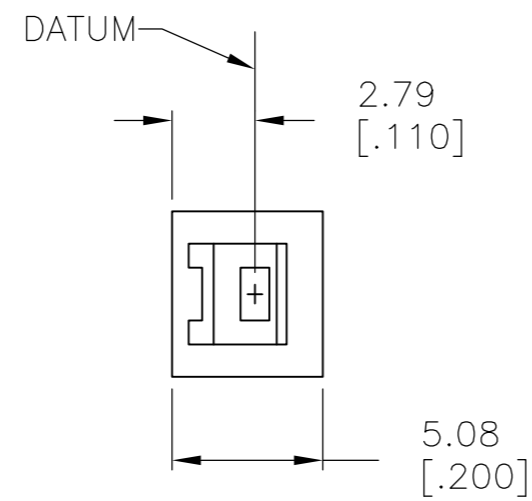


THIS DRAWING IS UNPUBLISHED. RELEASED FOR PUBLICATION
 © COPYRIGHT - By - ALL RIGHTS RESERVED.

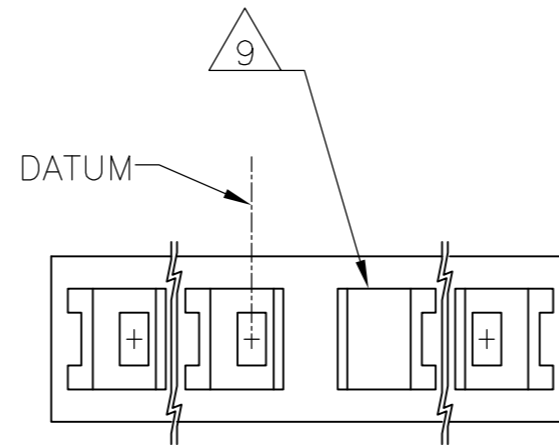
REVISIONS					
P	LTR	DESCRIPTION	DATE	DWN	APVD
J4		REVISED PER ECO-16-009321	23JUN2016	NK	JO



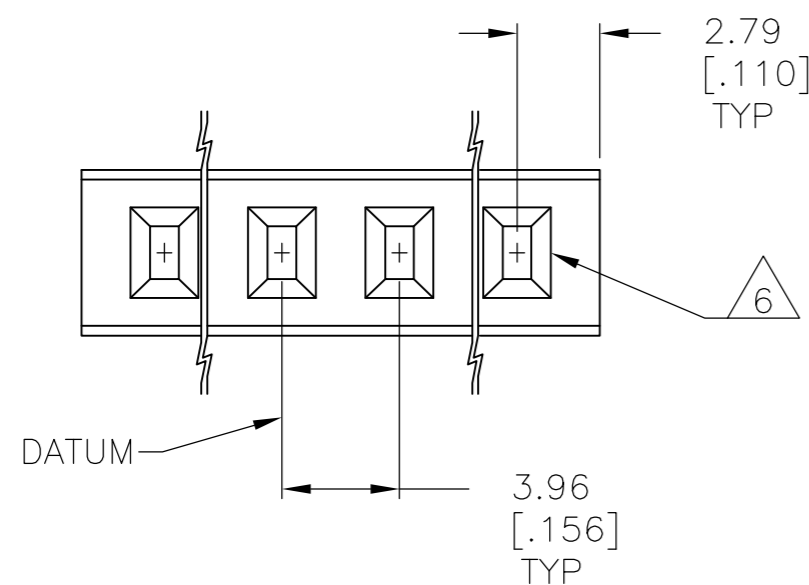
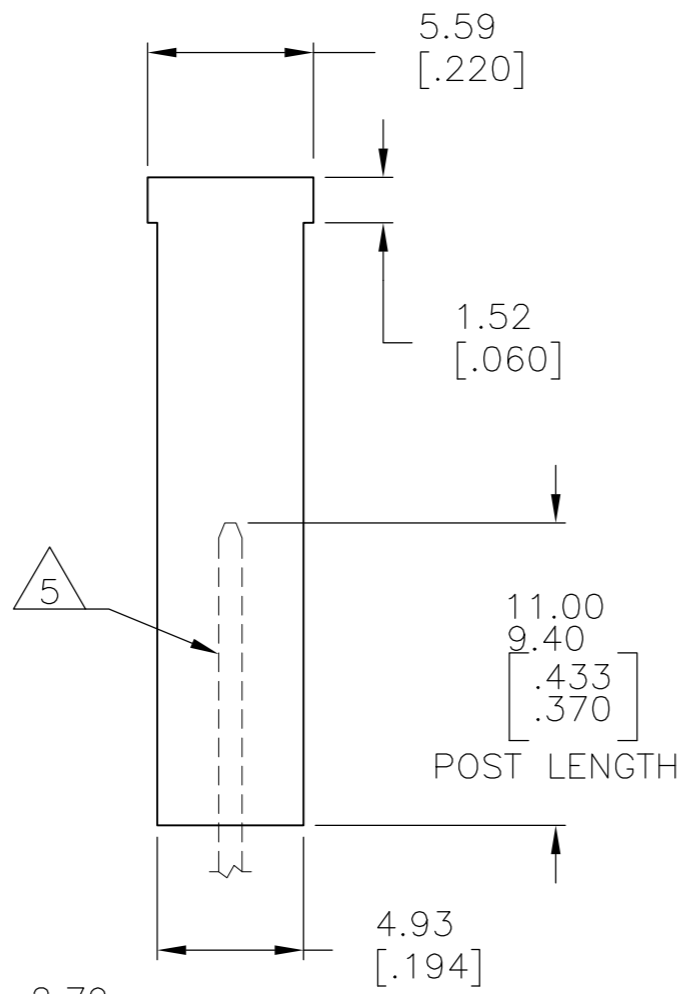
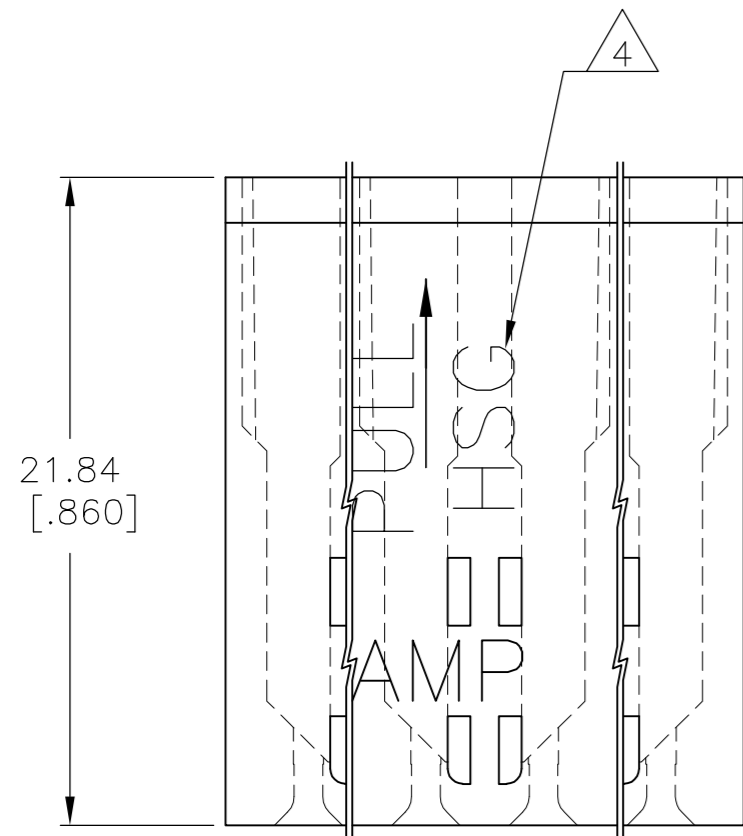
TOP VIEW



DETAIL X



DETAIL Y



- 1 PULL ON HOUSING TO REMOVE FROM POSTS. DO NOT CONFINE THE CONDUCTORS OR PULL ON THE CONDUCTORS DURING REMOVAL ACTION.
 - 2 IN ORDER FOR THIS HOUSING TO FUNCTION PROPERLY AS A CONNECTOR, THE CONTACTS (P/N 87278 SERIES) MUST BE CRIMPED ACCORDING TO AMP SPEC 114-25008.
- 4 MOLDED CHARACTERS THIS END.
 - 5 .79[.031] X 1.57[.062] POST SHOWN FOR REFERENCE ONLY.
 - 6 CAVITY ACCEPTS 0.79[.031] X 1.57[.062] POST (TYPICAL).
 - 7 BOLD CAVITY INDICATES TYPICAL DATUM.
 - 8 THIS VIEW TO BE REFERENCED WITH CAVITY ORIENTATION CHART.
 - 9 NO POST ENTREE HOLE IN THIS LOCATION.
 - 10 SEE DETAIL X.
 - 11 SEE DETAIL Y.

□□□□□□□□□□□□□□	53.14 [2.092]	23.77 [.936]	23.77 [.936]	13	1-87270-8
□□□□□□□□□□□□□□	45.21 [1.780]	19.81 [.780]	19.81 [.780]	11	1-87270-7
□□□□□□□□□□□□□□	37.29 [1.468]	15.85 [.624]	15.85 [.624]	9	1-87270-6
□□□□□□□□□□□□□□	29.36 [1.156]	11.89 [.468]	11.89 [.468]	7	1-87270-5
□□□□□□□□□□□□□□	21.44 [.844]	7.92 [.312]	7.92 [.312]	5	1-87270-4
□□□□□□□□□□□□□□	13.51 [.532]	3.96 [.156]	3.96 [.156]	3	1-87270-3
□□□□□□□□□□□□□□	25.40 [1.000]	11.89 [.468]	7.92 [.312]	5 OF 6	1-87270-2
□□□□□□□□□□□□□□	29.36 [1.156]	11.89 [.468]	11.89 [.468]	6 OF 7	1-87270-1
□□□□□□□□□□□□□□	21.44 [.844]	7.92 [.312]	7.92 [.312]	4 OF 5	1-87270-0
□□□□□□□□□□□□□□	57.10 [2.248]	27.74 [1.092]	23.77 [.963]	14	87270-9
□□□□□□□□□□□□□□	49.17 [1.936]	23.77 [.936]	19.81 [.780]	12	87270-8
□□□□□□□□□□□□□□	41.25 [1.624]	19.81 [.780]	15.85 [.624]	10	87270-7
□□□□□□□□□□□□□□	33.32 [1.312]	15.85 [.624]	11.89 [.468]	8	87270-6
□□□□□□□□□□□□□□	25.40 [1.000]	11.89 [.468]	7.92 [.312]	6	87270-5
□□□□□□□□□□□□□□	17.48 [.688]	7.92 [.312]	3.96 [.156]	4	87270-4
□□□□□□□□□□□□□□	17.48 [.688]	7.92 [.312]	3.96 [.156]	3 OF 4	87270-3
□□□□□□□□□□□□□□	9.55 [.376]	-	-	2	87270-2
□□□□□□□□□□□□□□	5.08 [.200]	-	-	1	87270-1

CAVITY ORIENTATION CHART

THIS DRAWING IS A CONTROLLED DOCUMENT.

DIMENSIONS: mm [INCHES]

TOLERANCES UNLESS OTHERWISE SPECIFIED:

0 PLC	± -
1 PLC	± -
2 PLC	± -
3 PLC	± 0.13 [.005]
4 PLC	± -
ANGLES	± -

MATERIAL: GLASS FILLED POLYESTER
COLOR: BLACK

FINISH: -

WEIGHT: -

CUSTOMER DRAWING

DWN: E.BRANDBERG 25FEB93
CHK: SCOTT A. SHUEY 25FEB93
APVD: SCOTT A. SHUEY 25FEB93

NAME: SCOTT A. SHUEY

PRODUCT SPEC: -

APPLICATION SPEC: -

WEIGHT: -

SCALE: 4:1

SHEET: 1 OF 1

REV: J4

TE Connectivity

HOUSING, LOCKING CLIP, SINGLE ROW, .156 CENTERS FOR .031 X .062 POST

SIZE: A2 CAGE CODE: 00779 DRAWING NO: 87270 RESTRICTED TO: -

Mouser Electronics

Authorized Distributor

Click to View Pricing, Inventory, Delivery & Lifecycle Information:

[TE Connectivity:](#)

[87270-1](#)