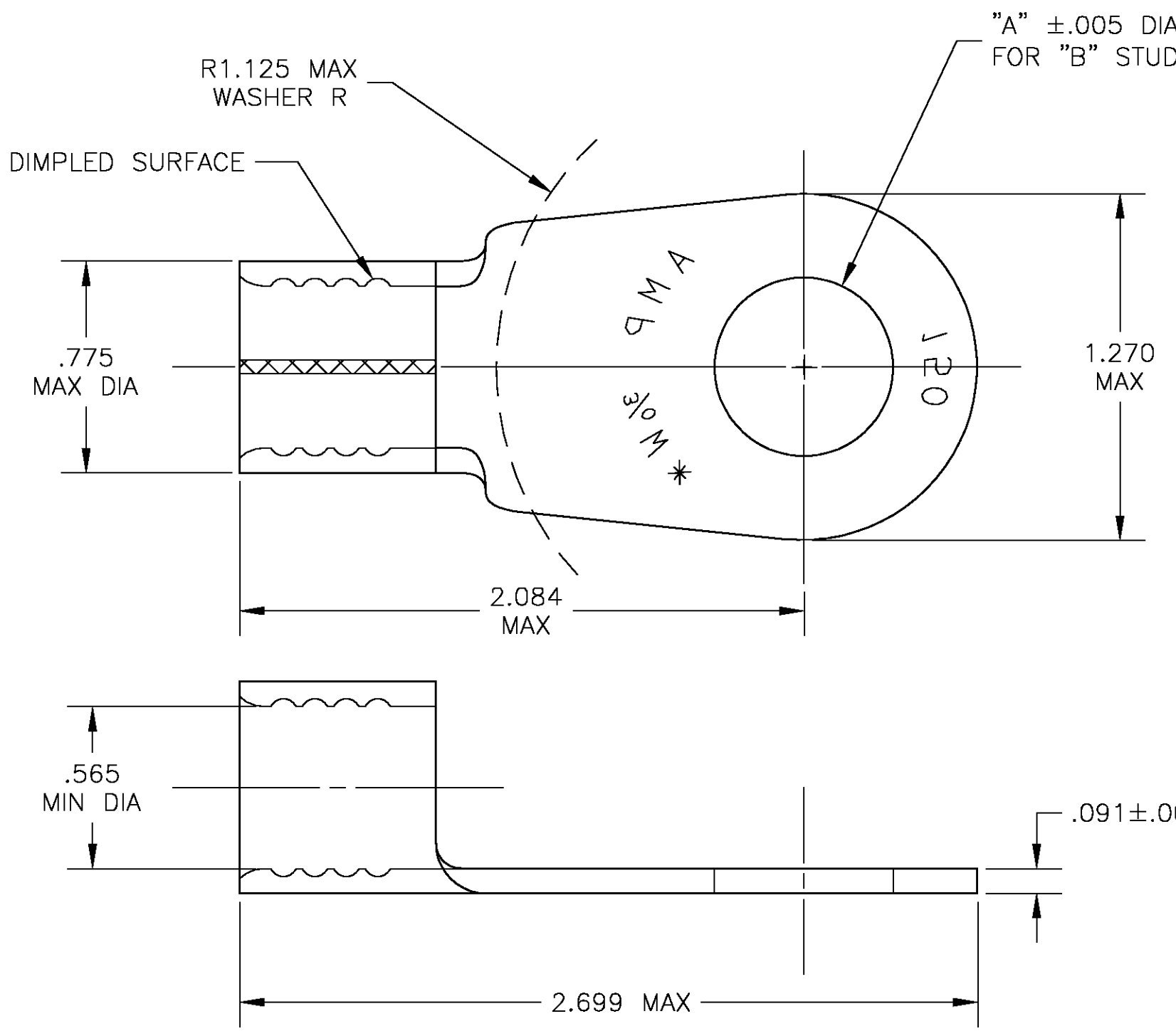


THIS DRAWING IS UNPUBLISHED. RELEASED FOR PUBLICATION
 © COPYRIGHT BY TYCO ELECTRONICS CORPORATION. ALL RIGHTS RESERVED.

LOC	DIST	REVISIONS			
P	LTR	DESCRIPTION	DATE	DWN	APVD
G	86	G	REDRAWN PER 0G3A-0395-04	02JUN04	JR MS



OBSOLETE	1/2	.515	1-322222-0
	5/8	.656	322222
	DIM "B"	DIM "A"	PART NO

THIS DRAWING IS A CONTROLLED DOCUMENT.		DWN jr_ruth 02JUN04	Tyco Electronics Corporation Harrisburg, PA 17105	
DIMENSIONS: INCHES	TOLERANCES UNLESS OTHERWISE SPECIFIED:	CHK MJ SPICER 02JUN04	NAME TERMINAL, SOLISTRAND, RING TONGUE, WIRE SIZE: 3/0 AWG	
	0 PLC ± - 1 PLC ± - 2 PLC ± - 3 PLC ± .008 4 PLC ± - ANGLES ± 5°	APVD MJ SPICER 02JUN04	PRODUCT SPEC	
MATERIAL	FINISH	APPLICATION SPEC	SIZE	RESTRICTED TO
- 1	- 2	-	A3 00779	-
CUSTOMER DRAWING			DRAWING NO C-322222	SCALE 2:1
			SHEET 1 OF 1	REV G

Mouser Electronics

Authorized Distributor

Click to View Pricing, Inventory, Delivery & Lifecycle Information:

[TE Connectivity:](#)

[322222](#)