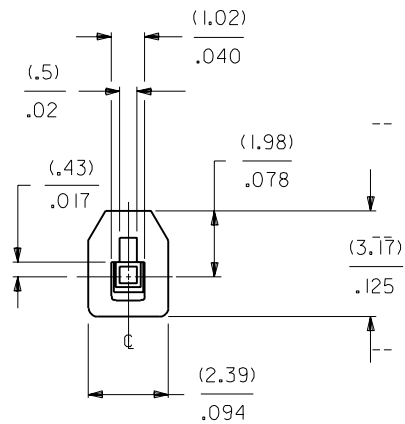
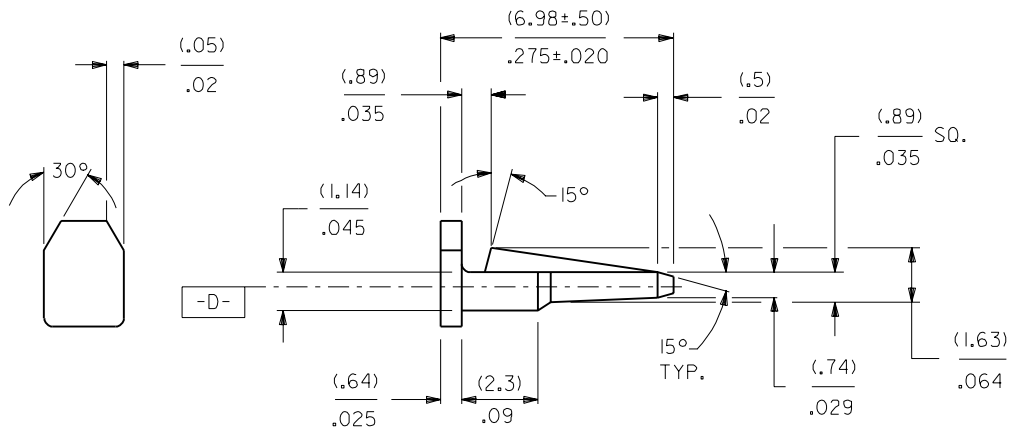


NOTES:

1. PARTS TO BE SUPPLIED AS LOOSE PIECES.
2. MATERIAL: POLYESTER 94V-0, NATURAL COLOR.



4161-1
15-04-9209

MATERIAL WAS NYLON ECR U90661			
8-14-89 A.GUZZIK			
REDRAW ON CAD ECR 10301			
10-16-87 A.GUZZIK			
M	L	M	L
MFG.	SH.	REV.	LTR.
			REVISIONS

DIMENSIONS SHOWN (METRIC) INCH		REVISIONS													
UNLESS OTHERWISE SPECIFIED TOLERANCES: ANGULAR ± 1/2°		REVISE ONLY ON CAD SYSTEM													
<table border="1"> <thead> <tr> <th></th> <th>INCH</th> <th>METRIC</th> </tr> </thead> <tbody> <tr> <td>3 PLACE</td> <td>± .010</td> <td>---</td> </tr> <tr> <td>2 PLACE</td> <td>± .014</td> <td>± .25</td> </tr> <tr> <td>1 PLACE</td> <td>---</td> <td>± .36</td> </tr> </tbody> </table>			INCH	METRIC	3 PLACE	± .010	---	2 PLACE	± .014	± .25	1 PLACE	---	± .36	TITLE --- (POLARIZING KEY) --- --- FOR KK (2.54) / 100 ---	
	INCH	METRIC													
3 PLACE	± .010	---													
2 PLACE	± .014	± .25													
1 PLACE	---	± .36													
DRAFT WHERE APPLICABLE MUST REMAIN WITHIN DIMENSIONS		SHEET NO. DATE 1 OF 2 10 / 16 / 87													
DRWG. BY: GUZZIK APP'D. BY: LENZ		MOLEX INCORPORATED LISLE, ILL. 60532 U.S.A.													
CHK'D. BY: PATEL SCALE: ---		PART NO. SD-4161 DRWG. NO.													
FILE NAME: S4161X1		THIS DRAWING CONTAINS INFORMATION THAT IS PROPRIETARY TO MOLEX INC. AND SHOULD NOT BE USED WITHOUT WRITTEN PERMISSION.													
		DIV. SIZE KK B													