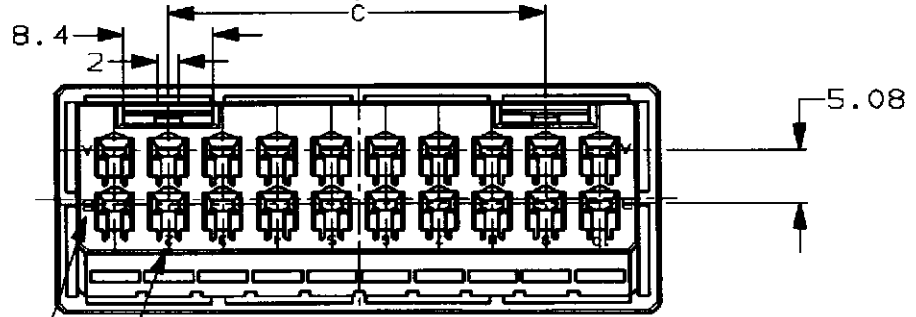
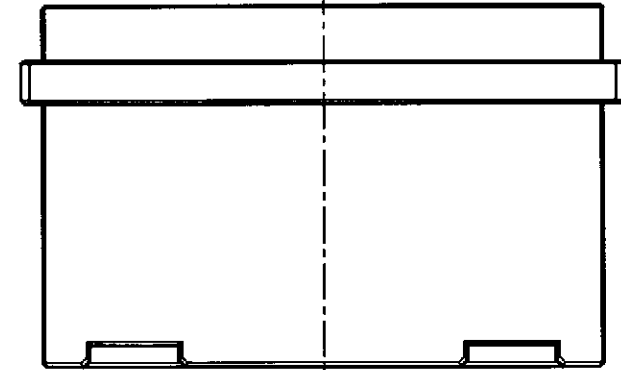
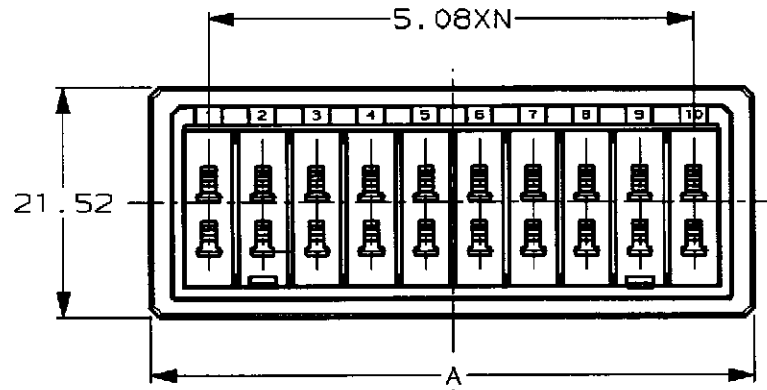
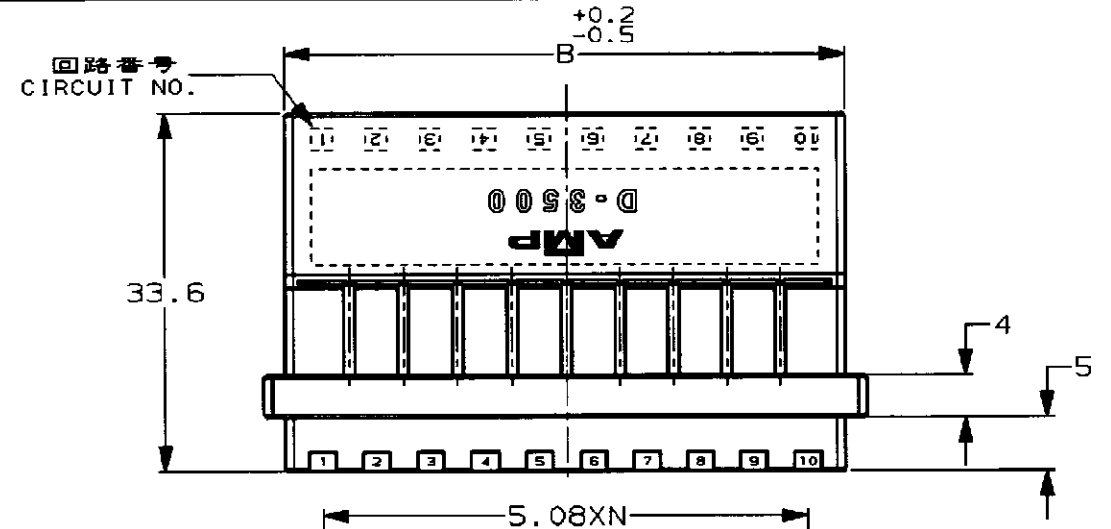


NUMBER 917242

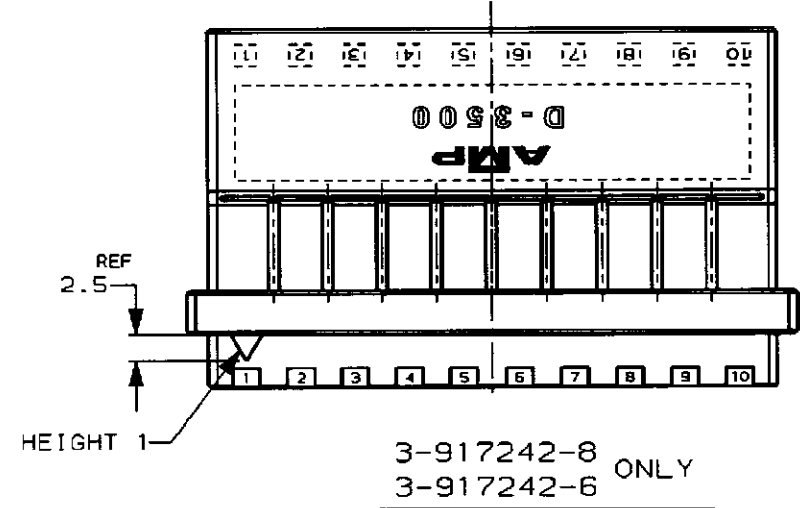
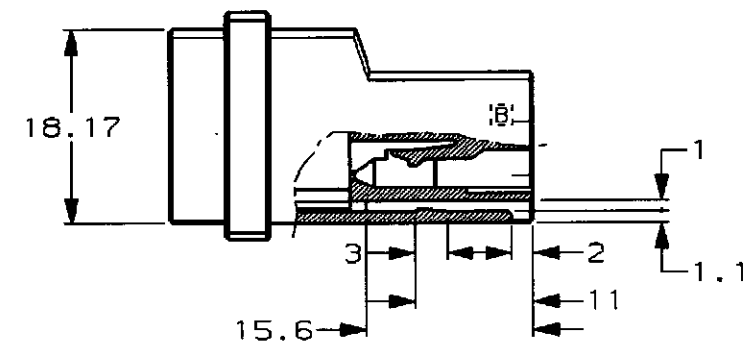
METRIC

PRINT DIST
単位: 概 DIMENSIONS IN MM. DO NOT SCALE PRINT



回路番号
CIRCUIT NO.

列番号
ROW ID



NOTES

1 MATERIAL: GLASS FIELD THERMO PLASTIC, POLYESTER
COLOR: BLACK

注記

1 材料: ガラス入り熱可塑性ポリエステル樹脂
色: 黒色

| | | | | | |
|----------|---------|-----------|-------|---|-----------------------|
| | 20 | 56.75 | 52.8 | 9 | 3-917242-8 |
| | 12 | 36.43 | 32.48 | 5 | 3-917242-6 |
| | 20 | 56.75 | 52.8 | 9 | 917242-8 |
| | 12 | 36.43 | 32.48 | 5 | 917242-6 |
| OBSOLETE | 20 | 56.75 | 52.8 | 9 | 2-917242-0 |
| OBSOLETE | 12 | 36.43 | 32.48 | 5 | 1-917242-2 |
| | POS. 極数 | 寸法 | A | B | N |
| | | DIMENSION | | | 型番 PART NUMBER |

| | | | | | |
|--|-------------------------|--|-----|--|-----------|
| Copyright ©1994 AMP (Japan), LTD. ALL RIGHTS RESERVED. | | Copyright ©1994 AMP (Japan), LTD. ALL RIGHTS RESERVED. | | AMP 日本エー・エム・ピー株式会社 Kawasaki, Japan | |
| B | REVISED (FJ00-1807-97) | MH | Z.H | 18/OCT/97 | |
| A | REVISED (FJ00-4525-96) | KI | YI | 22/APR/96 | |
| O1 | OBSOLETE (FJ00-2160-95) | KI | S.M | 13/MAR/95 | |
| O | RELEASED (FJ00-1052-94) | KI | S.M | 17/OCT/94 | |
| LTR | 変更 (REVISION RECORD) | DR | CHK | DATE | CHK. |
| | | | | 17/OCT/94 | K. IKEDA |
| | | | | 17/OCT/94 | K. IKEDA |
| | | | | 17/OCT/94 | S. MANABE |
| | | | | 17/OCT/94 | S. MANABE |

(CUSTOMER DRAWING) 参考 面

Mouser Electronics

Authorized Distributor

Click to View Pricing, Inventory, Delivery & Lifecycle Information:

[TE Connectivity:](#)

[3-917242-8](#)