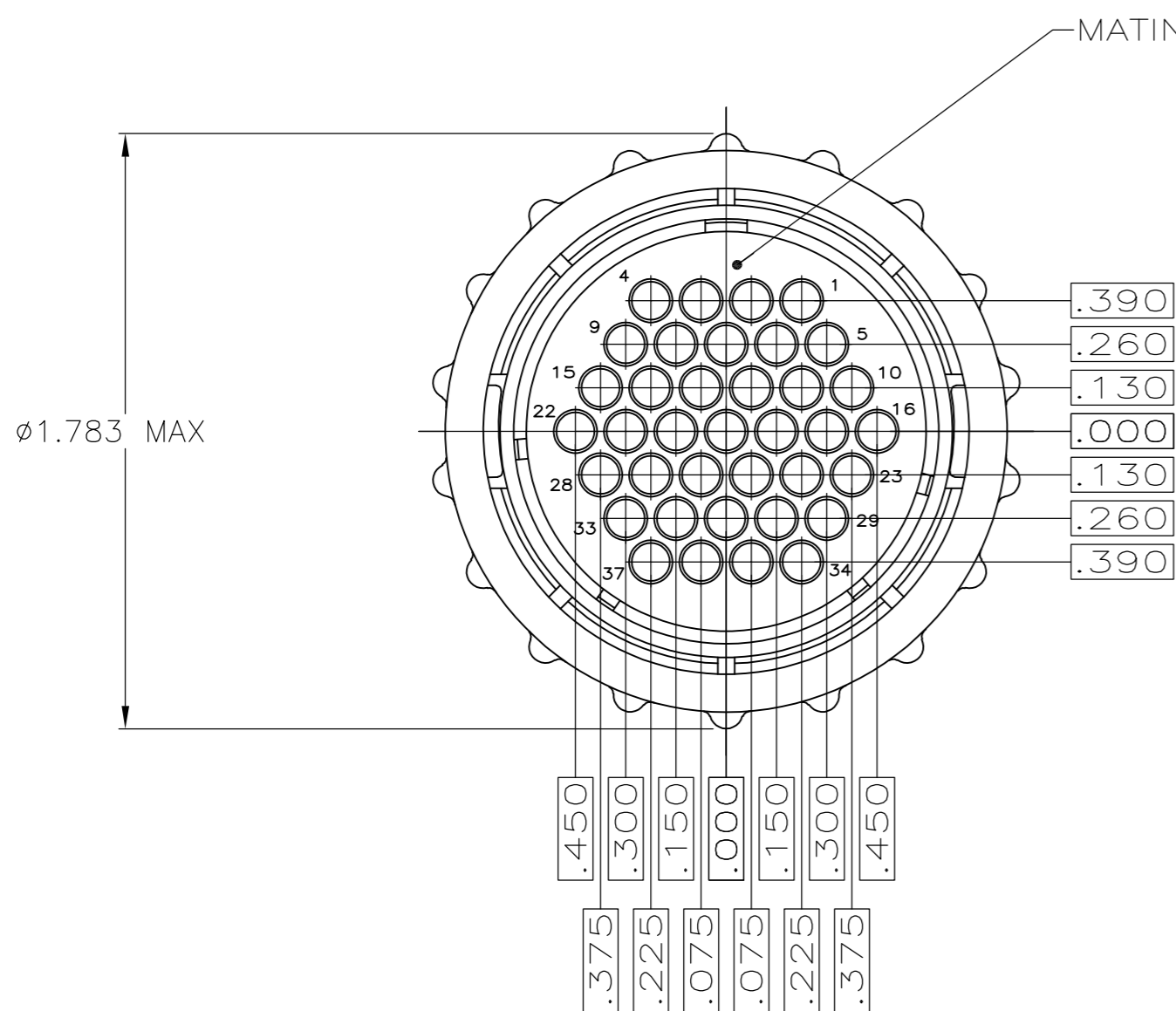
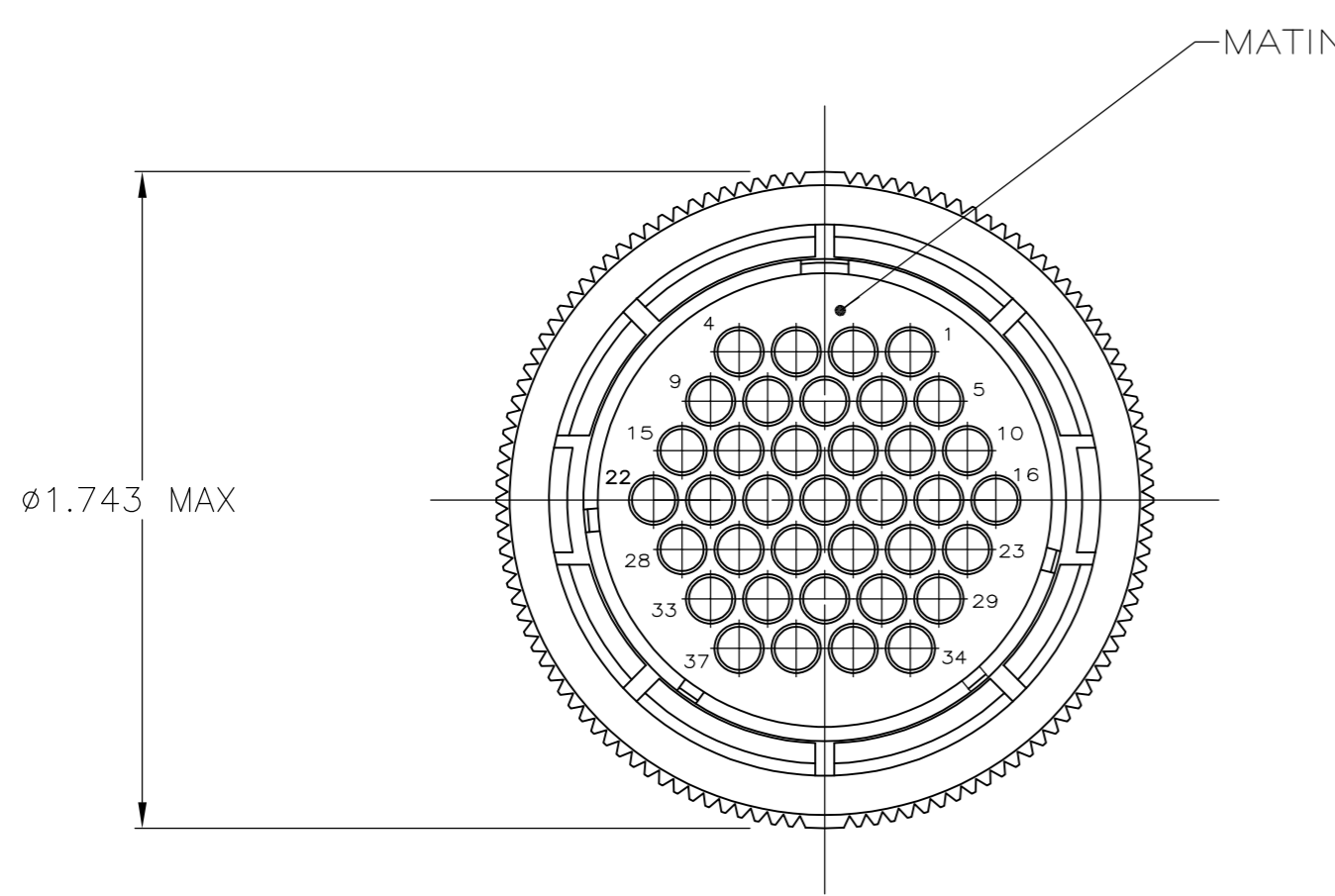
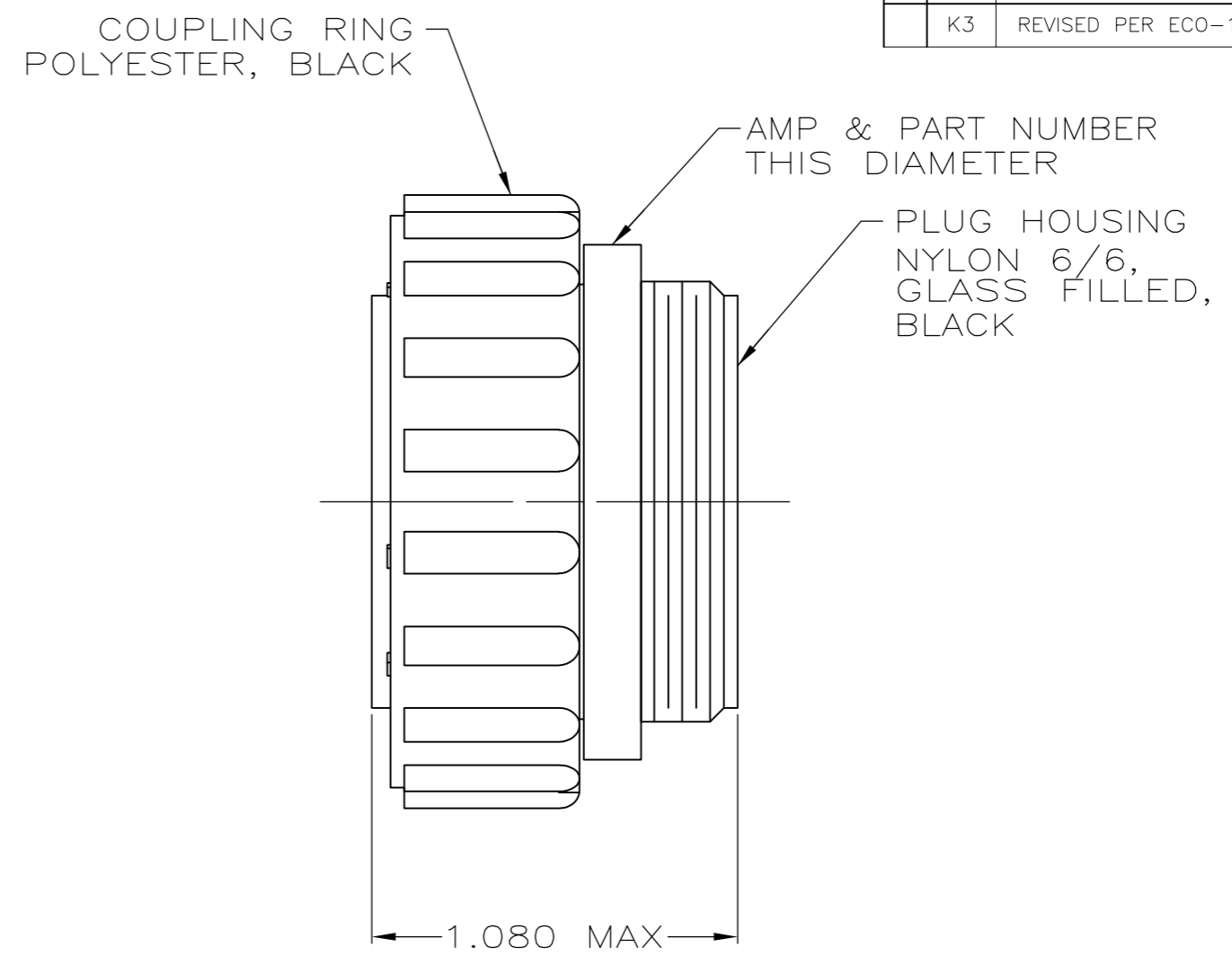


THIS DRAWING IS UNPUBLISHED. RELEASED FOR PUBLICATION  
 © COPYRIGHT - By - ALL RIGHTS RESERVED.

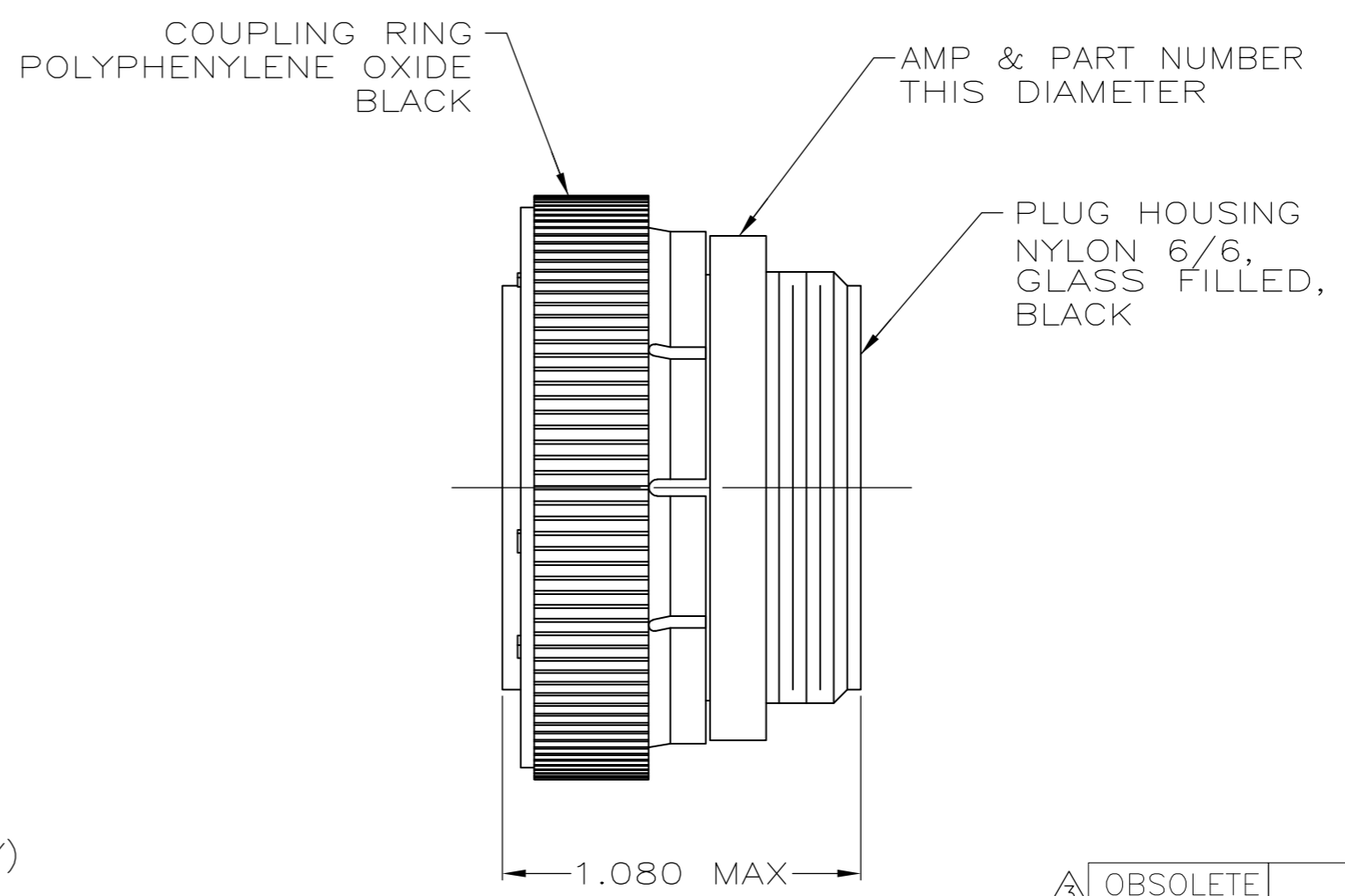
REVISIONS					
P	LTR	DESCRIPTION	DATE	DWN	APVD
K3		REVISED PER ECO-16-004800	12SEP2016	NK	MZ



(206150-1, -2 & -6 ONLY)



(206150-3 ONLY)



- 1 CONTACT CAVITIES IDENTIFIED BY CHARACTERS ON FRONT AND REAR FACES OF CONNECTOR.
- 2 THIS CONNECTOR WILL ACCEPT (37) MULTIMATE SOCKET CONTACTS.
- 3 WHITE DOT NEAR POSITION 1 ON WIRE ENTRY FACE.

OBSOLETE	STANDARD	-206150-6-
	STANDARD	206150-3
	SMALL PACK	206150-2
	STANDARD	206150-1
PACKAGING	PART NUMBER	

THIS DRAWING IS A CONTROLLED DOCUMENT.		DWN S.RIDGLEY BG 8/2/90		
DIMENSIONS: INCHES		CHK R.STONE 4-26-91		
TOLERANCES UNLESS OTHERWISE SPECIFIED:		APVD -	NAME	
0 PLC ± -		PRODUCT SPEC -	PLUG ASSEMBLY, SHELL SIZE 23, STANDARD SEX, SERIES 1, CPC	
1 PLC ± -		APPLICATION SPEC -	SIZE	RESTRICTED TO
2 PLC ± -		WEIGHT 0	CAGE CODE A2 00779	DRAWING NO C=206150
3 PLC ± -		MATERIAL SEE CALLOUT	SCALE 2:1	SHEET 1 of 1
4 PLC ± -		FINISH -	CUSTOMER DRAWING	REV K3
ANGLES ± -				

# Mouser Electronics

Authorized Distributor

Click to View Pricing, Inventory, Delivery & Lifecycle Information:

[TE Connectivity:](#)

[206150-2](#)