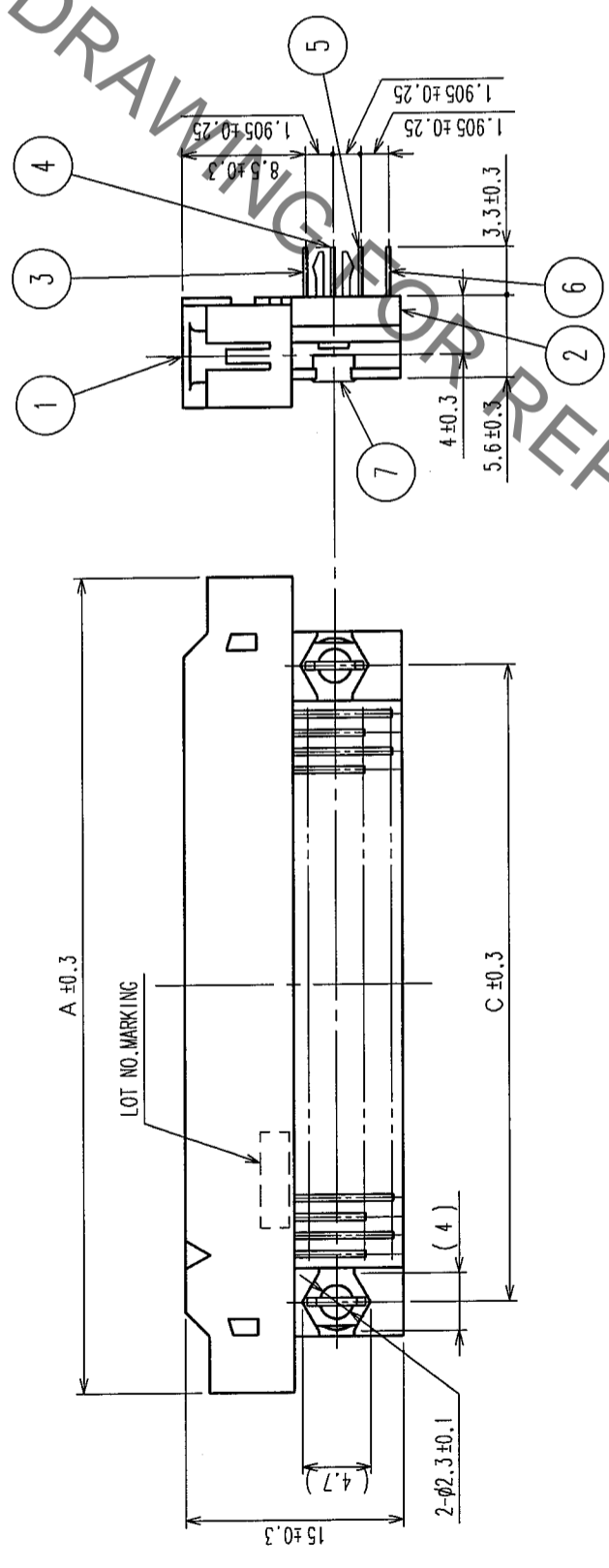
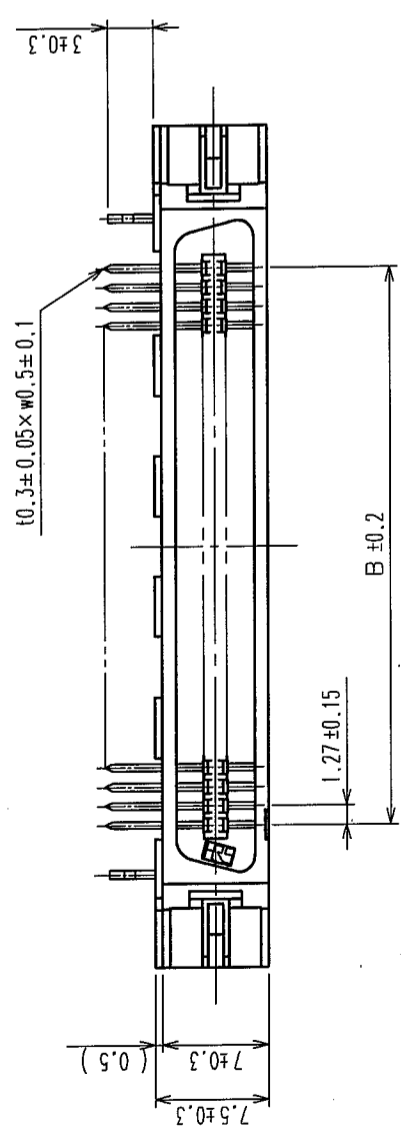
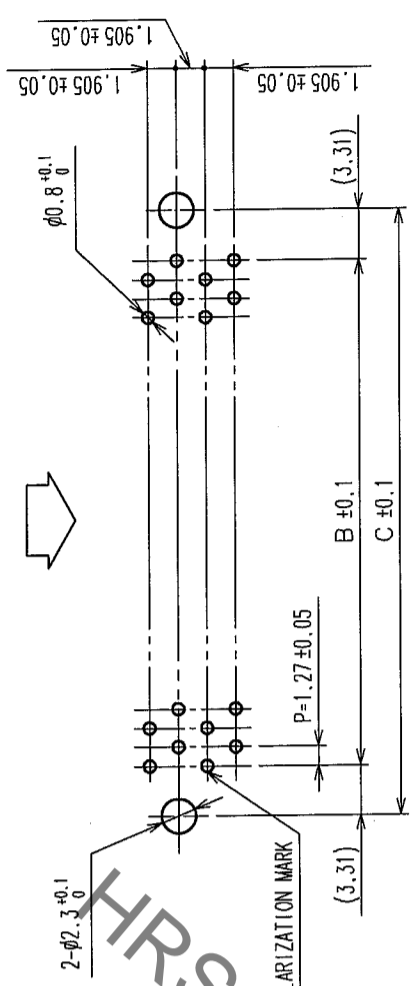


COUNT	DESCRIPTION OF REVISIONS	BY	CHKD	DATE	COUNT	DESCRIPTION OF REVISIONS	BY	CHKD	DATE



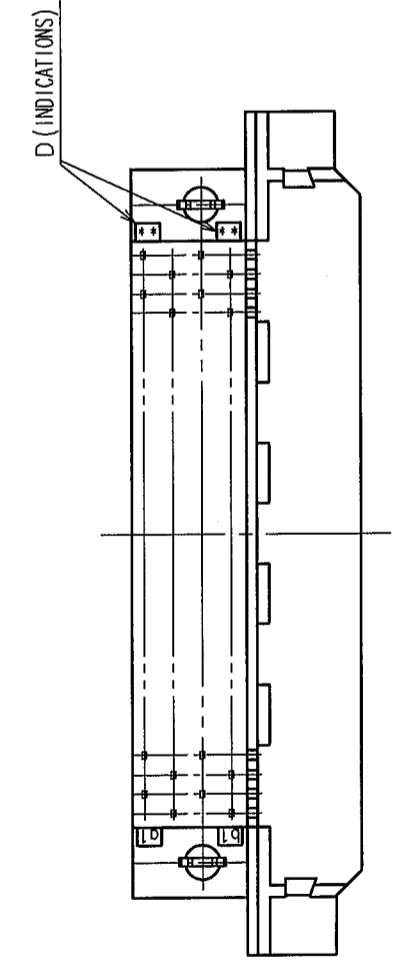
RECOMMEND PC BOARD HOLE PATTERN ( MOUNTING SIDE )

MATING SIDE



PART No.	CODE No.	A	B	C	D
FX2B-20PA-1.27DSL(71)	CL572-0771-5-71	20	30.33	11.43	18.05
FX2B-32PA-1.27DSL(71)	CL572-0772-8-71	32	37.95	19.05	25.67
FX2B-40PA-1.27DSL(71)	CL572-0773-0-71	40	43.03	24.13	30.75
FX2B-52PA-1.27DSL(71)	CL572-0774-3-71	52	50.65	31.75	38.37
FX2B-60PA-1.27DSL(71)	CL572-0775-6-71	60	55.73	36.83	43.45
FX2B-68PA-1.27DSL(71)	CL572-0776-9-71	68	60.81	41.91	48.53
FX2B-80PA-1.27DSL(71)	CL572-0777-1-71	80	68.43	49.53	56.15
FX2B-100PA-1.27DSL(71)	CL572-0778-4-71	100	81.13	62.23	68.85

NOTES  
 1 STANDOFF DIFFERS ACCORDING TO PRODUCTS.  
 2 NUMBER OF PIN.  
 3. THE DIMENSIONS IN PARENTHESES ARE FOR REFERENCE.



NO.	MATERIAL	FINISH	REMARKS	NO.	MATERIAL	FINISH	REMARKS
7	PHOSPHOR BRONZE	TIN-PLATING	3~6	BRASS	CONTACT AREA: GOLD FLASH		
1,2	POLYAMIDE	BLACK	UL94V-0		DIP AREA: TIN-PLATING 2μm min		
					UNDER PLATING: NICKEL 1μm min		

CODE NO. (OLD)	CL	CODE NO. (NEW)	CL

DESIGNED	CHECKED	APPROVED	RELEASED
K. NAKAMURA	H. OKAWA	H. OKAWA	

DRAWN	NO.	DATE
I. OKAYAMA	04.06.02	04.06.14

DRAWING NO.	PART NO.
EDC3-151041-21	FX2B-※PA-1.27DSL(71)

SCALE	UNITS	CODE NO.
FREE	mm	CL572