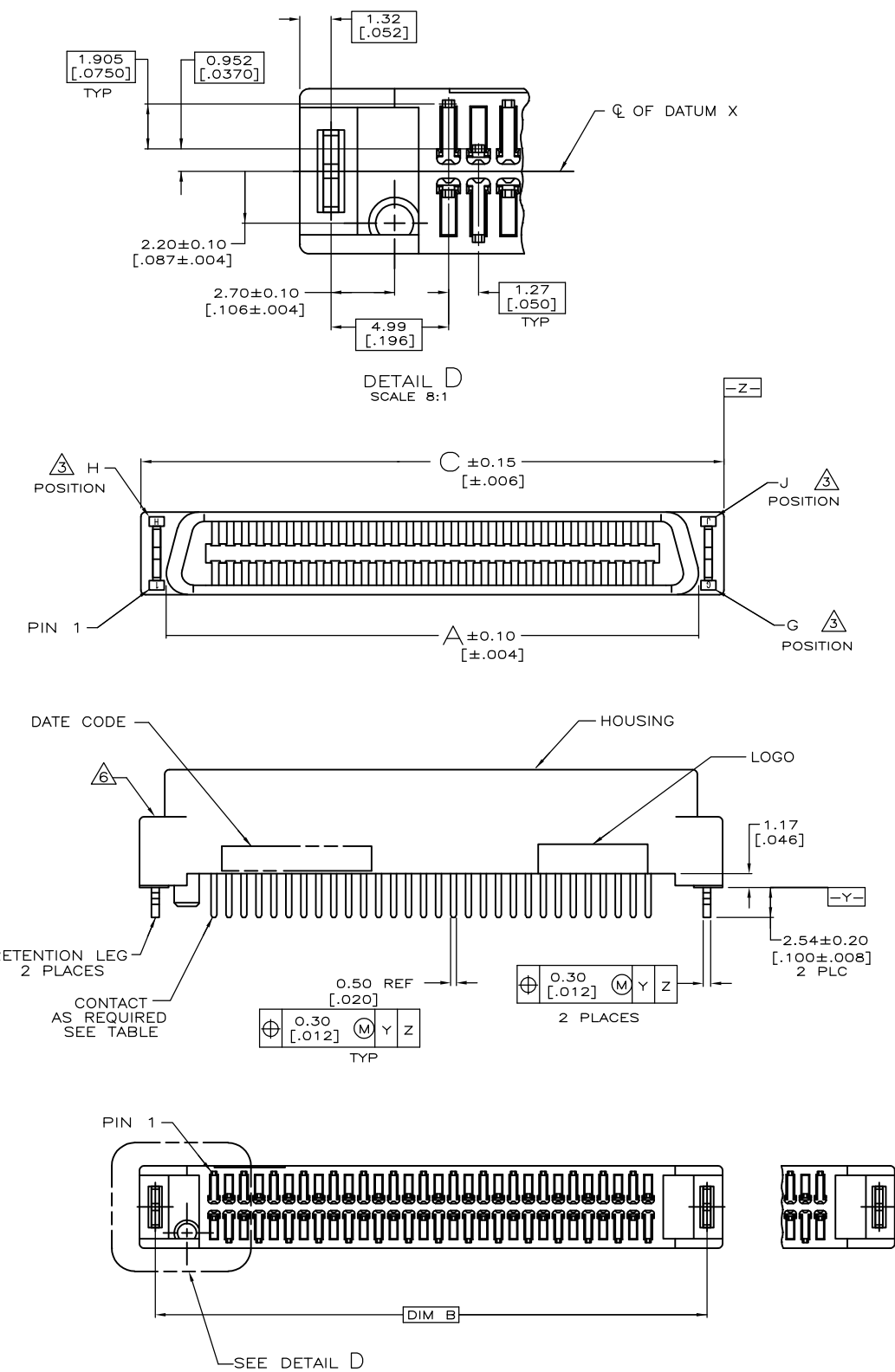


THIS DRAWING IS UNPUBLISHED. RELEASED FOR PUBLICATION
 © COPYRIGHT - By - ALL RIGHTS RESERVED.

LOC	DIST	REVISIONS					
		P	LTR	DESCRIPTION	DATE	DWN	APVD
DW	/		E	REVISED PER ECO-15-011028	2NOV2015	RG	SH



NOTE:
 1. MATERIAL:
 HOUSING: LCP, MOLDING COMPOUND, UL 94V-0, BLACK COLOR.
 CONTACTS: BRASS.
 BOARDLOCKS: BRASS.
 2. FINISH:
 CONTACTS: (SEE TABLE) GOLD PLATED ON CONTACT AREA,
 3.81µm [150µ"] MIN. MATTE-TIN ON SOLDERTAIL,
 1.27µm [50µ"] MIN. NICKEL UNDERPLATED OVERALL.
 BOARDLOCKS: 3.81µm [150µ"] MIN. TIN-Cu OVER
 1.27µm [50µ"] MIN. UNDERPLATED.
 △ G, J, H INDICATE NUMBER OF POSITION MARKED ON ASSEMBLY.
 ALSO SEE TABLE.
 △ ALL DIMENSIONS SHOWN ARE MAXIMUM UNLESS OTHERWISE SPECIFIED.
 △ RETENTION LEGS NOT PRESENT.
 △ TOP OF RETENTION LEG MAY NOT PROTRUDE ABOVE THIS SURFACE.
 △ HOUSING BOW UP TO 0.30 [.012] ALLOWED.
 8. 60 POSITION AS SHOWN.
 9. WAVE SOLDER CAPABLE TO 265°C PER TEST SPEC.
 109-202, CONDITION B.
 △ GOLD FLASH OVER
 0.762µm [30µ"] MIN. PALLADIUM-NICKEL PLATED.

PCB THICKNESS	E	C	B	A	G	J	H	CONTACT PLATED	PART NUMBER	POS.
0.80-1.60 [.031-.063]	2.54 [.100]	125.65 [4.947]	123.01 [4.843]	121.37 [4.778]	90	180	91	GOLD FLASH	5-1734100-8	180
								△	3-1734100-8	
								△	1-1734100-8	
2.36 [0.093]	3.17 [.125]	112.95 [4.447]	110.31 [4.343]	108.67 [4.278]	80	160	81	GOLD FLASH	5-1734100-6	160
0.80-1.60 [.031-.063]	2.54 [.100]	112.95 [4.447]	110.31 [4.343]	108.67 [4.278]	80	160	81	0.381mm[15m"]	3-1734100-6	
								△	1-1734100-6	
								GOLD FLASH	5-1734100-3	130
0.80-1.60 [.031-.063]	2.54 [.100]	93.90 [3.697]	91.26 [3.593]	89.62 [3.528]	65	130	66	0.381mm[15m"]	3-1734100-3	
								△	1-1734100-3	
								GOLD FLASH	5-1734100-2	120
0.80-1.60 [.031-.063]	2.54 [.100]	87.55 [3.447]	84.91 [3.343]	83.27 [3.278]	60	120	61	0.381mm[15m"]	3-1734100-2	
								△	1-1734100-2	
								GOLD FLASH	5-1734100-1	100
2.08 [.082]	3.17 [.125]	74.85 [2.947]	72.21 [2.843]	70.57 [2.778]	50	100	51	0.381mm[15m"]	3-1734100-1	
								△	1-1734100-1	
								GOLD FLASH	5-1734100-0	
0.80-1.60 [.031-.063]	2.54 [.100]	74.85 [2.947]	72.21 [2.843]	70.57 [2.778]	50	100	51	0.381mm[15m"]	3-1734100-0	
								△	1-1734100-0	
								GOLD FLASH	4-1734100-9	80
0.80-1.60 [.031-.063]	2.54 [.100]	62.15 [2.447]	59.51 [2.343]	57.87 [2.278]	40	80	41	0.381mm[15m"]	2-1734100-9	
								△	1734100-9	
								GOLD FLASH	4-1734100-8	80
0.80-1.60 [.031-.063]	2.54 [.100]	62.15 [2.447]	59.51 [2.343]	57.87 [2.278]	40	80	41	0.381mm[15m"]	2-1734100-8	
								△	1734100-8	
								GOLD FLASH	4-1734100-7	68
0.80-1.60 [.031-.063]	2.54 [.100]	54.53 [2.147]	51.89 [2.043]	50.25 [1.978]	34	68	35	0.381mm[15m"]	2-1734100-7	
								△	1734100-7	
								GOLD FLASH	4-1734100-6	60
0.80-1.60 [.031-.063]	2.54 [.100]	49.45 [1.947]	46.81 [1.843]	45.17 [1.778]	30	60	31	0.381mm[15m"]	2-1734100-6	
								△	1734100-6	
								GOLD FLASH	5-1734100-9	50
2.08 [.082]	3.17 [.125]	43.10 [1.697]	40.46 [1.593]	38.82 [1.528]	25	50	26	0.381mm[15m"]	3-1734100-9	
								△	1-1734100-9	
								GOLD FLASH	4-1734100-5	
0.80-1.60 [.031-.063]	2.54 [.100]	43.10 [1.697]	40.46 [1.593]	38.82 [1.528]	25	50	26	0.381mm[15m"]	2-1734100-5	
								△	1734100-5	
								GOLD FLASH	4-1734100-4	40
0.80-1.60 [.031-.063]	2.54 [.100]	36.75 [1.447]	34.11 [1.343]	32.47 [1.278]	20	40	21	0.381mm[15m"]	2-1734100-4	
								△	1734100-4	
								GOLD FLASH	4-1734100-3	
0.80-1.60 [.031-.063]	2.54 [.100]	30.40 [1.197]	27.76 [1.093]	26.12 [1.025]	15	30	16	0.381mm[15m"]	2-1734100-3	30
								△	1734100-3	
								GOLD FLASH	4-1734100-2	
2.08 [.082]	3.17 [.125]	24.05 [.947]	21.41 [.843]	19.77 [.778]	10	20	11	0.381mm[15m"]	2-1734100-2	20
								△	1734100-2	

THIS DRAWING IS A CONTROLLED DOCUMENT.

DWN F. YANG 31MAR2009	 TE Connectivity PLUG ASSEMBLY, VERTICAL BOARD-TO-BOARD, CHAMP .050, SERIES I			
CHK S. CHIEN 31MAR2009				
APVD W. KODAMA 31MAR2009				
NAME 108-57876				
PRODUCT SPEC	SIZE	CAGE CODE	DRAWING NO	RESTRICTED TO
APPLICATION SPEC	-	A300779	C-1734100	-
WEIGHT	-	CUSTOMER DRAWING		SCALE
SEE NOTE	SEE NOTE	SHEET 1 OF 4		REV E

THIS DRAWING IS UNPUBLISHED.

RELEASED FOR PUBLICATION

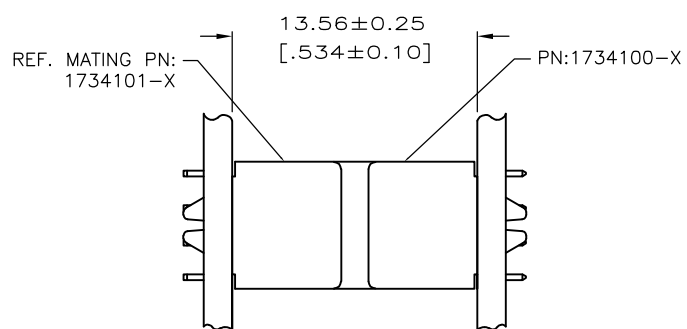
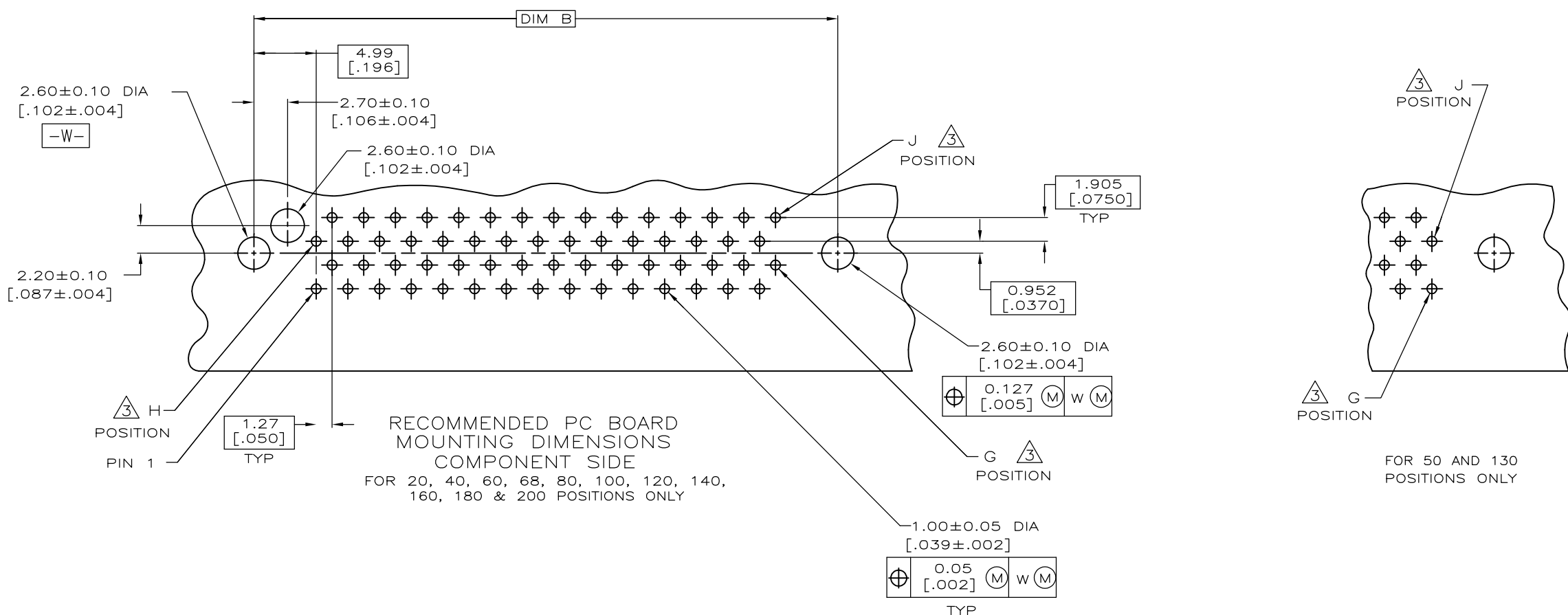
ALL RIGHTS RESERVED.

© COPYRIGHT - By -

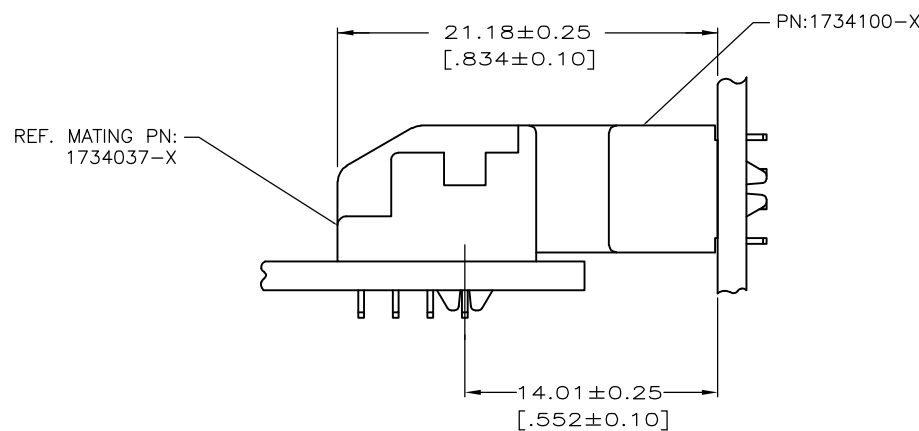
LOC DW DIST

REVISIONS

P	LTR	DESCRIPTION	DATE	DWN	APVD
-	-	SEE SHEET 1	-	-	-



VERTICAL PLUG ASSEMBLY MATED TO VERTICAL RECEPTACLE ASSEMBLY

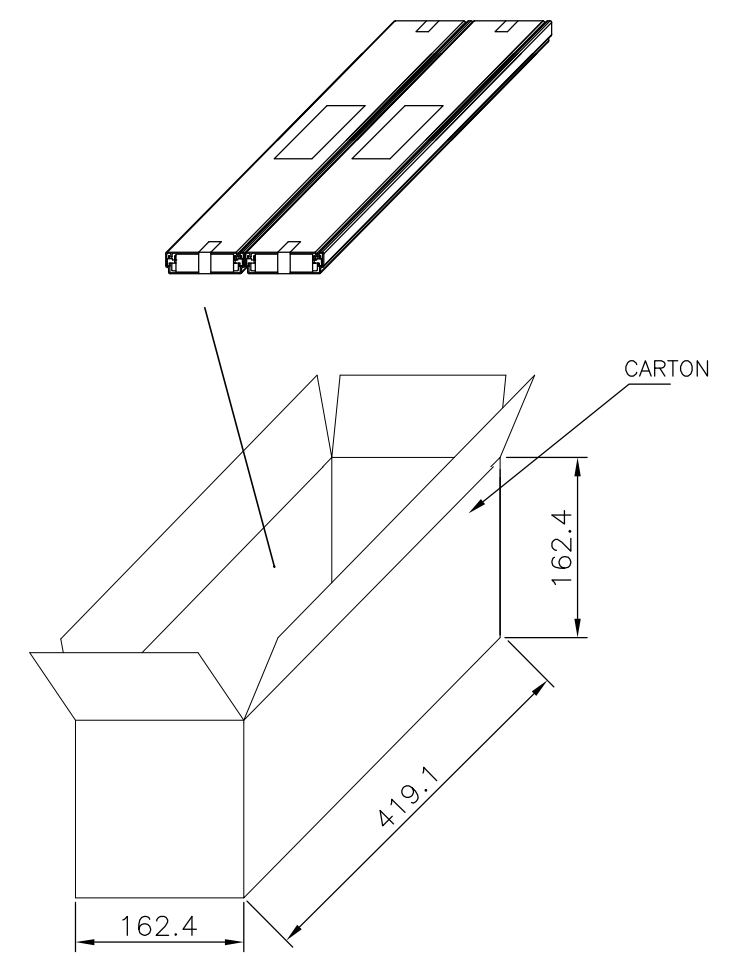
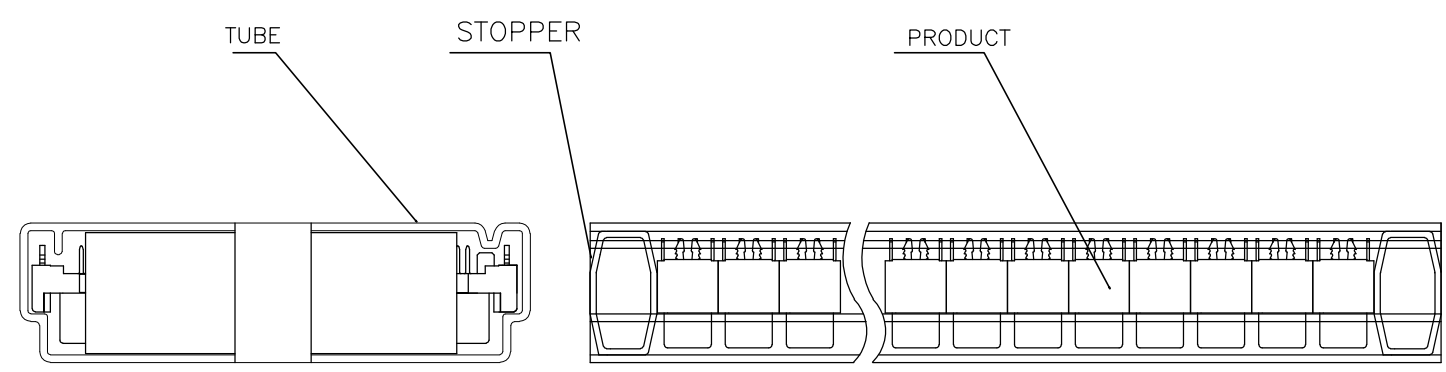


VERTICAL PLUG ASSEMBLY MATED TO RIGHT ANGLE RECEPTACLE ASSEMBLY

THIS DRAWING IS A CONTROLLED DOCUMENT.		DWN	-		
DIMENSIONS: mm		CHK	-		
TOLERANCES UNLESS OTHERWISE SPECIFIED:		APVD	-		
0 PLC ± -		PRODUCT SPEC	-		
1 PLC ± -		APPLICATION SPEC	-		
2 PLC ± -		WEIGHT	-		
3 PLC ± -		TE Connectivity			
4 PLC ± -		PLUG ASSEMBLY, VERTICAL BOARD-TO-BOARD, CHAMP .050, SERIES I			
ANGLES ± -		SIZE	CAGE CODE	DRAWING NO	RESTRICTED TO
FINISH		A3	00779	C-1734100	-
MATERIAL		CUSTOMER DRAWING		SCALE	SHEET 2 OF 4
				REV	E

THIS DRAWING IS UNPUBLISHED. RELEASED FOR PUBLICATION
 © COPYRIGHT - By - ALL RIGHTS RESERVED.

LOC	DIST	REVISIONS				
P	LTR	DESCRIPTION	DATE	DWN	APVD	
	-	SEE SHEET 1	-	-	-	

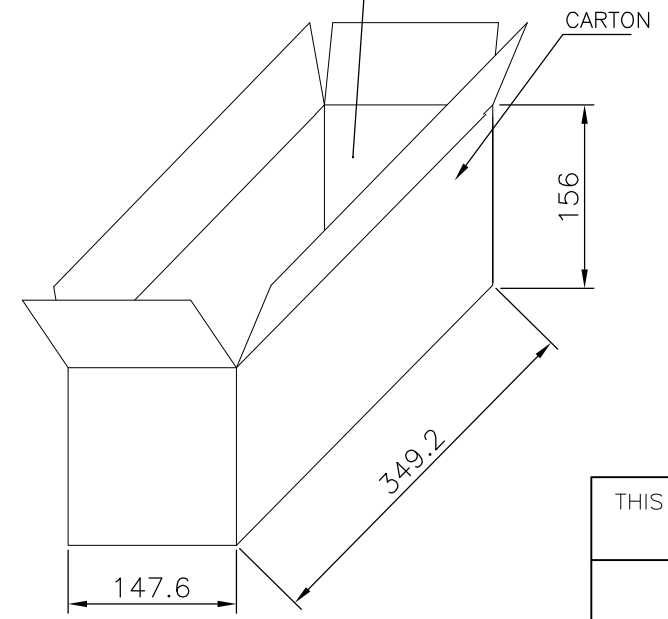
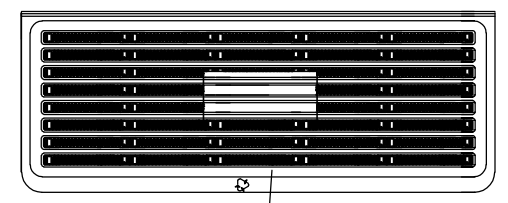
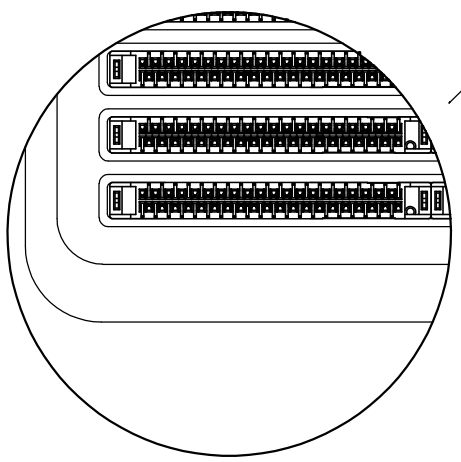
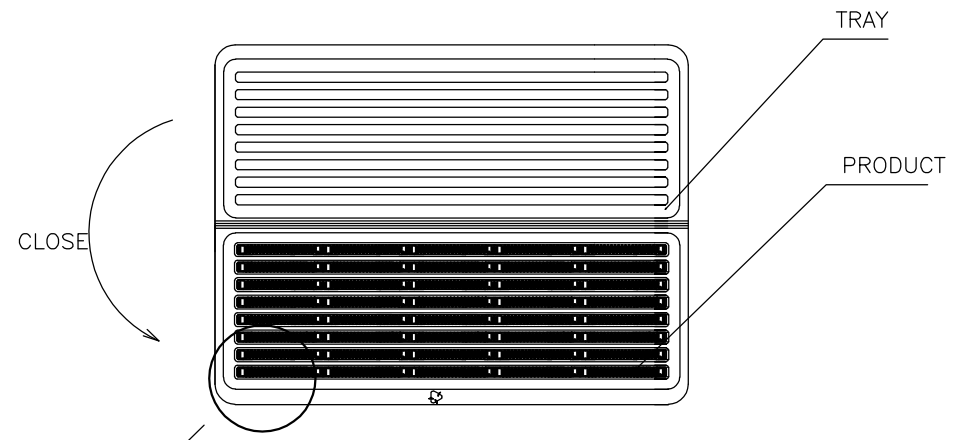


	G.W./CARTON	N.W./CARTON	PCS/TUBE	TUBES/CARTON	QUANTITY/CARTON (PCS)	PART NUMBER	POS.
	4.88	3.42	54	8	432	5-1734100-2 3-1734100-2 1-1734100-2	120
	7.70	5.58	54	16	864	5-1734100-0 3-1734100-0 1-1734100-0	100
	Ⓣ2 OBSOLETE	5.28	3.80			4-1734100-9 2-1734100-9 1734100-9	80
	5.38	3.90	54	16	4-1734100-8 2-1734100-8 1734100-8		
	4.76	3.37	54	16	864	4-1734100-7 2-1734100-7 1734100-7	68
	4.36	3.11	54	16	864	4-1734100-6 2-1734100-6 1734100-6	60
	Ⓣ2 OBSOLETE	5.72	4.08			5-1734100-9 3-1734100-9 1-1734100-9	50
	5.70	4.07	54	24	4-1734100-5 2-1734100-5 1734100-5		
	4.77	3.50	54	24	1296	4-1734100-4 2-1734100-4 1734100-4	40
	4.46	3.03	54	24	1296	4-1734100-3 2-1734100-3 1734100-3	30

THIS DRAWING IS A CONTROLLED DOCUMENT.		DWN	TE Connectivity			
DIMENSIONS: mm		CHK	NAME			
TOLERANCES UNLESS OTHERWISE SPECIFIED: 0 PLC ± - 1 PLC ± - 2 PLC ± - 3 PLC ± - 4 PLC ± - ANGLES ± - MATERIAL FINISH		APVD	PLUG ASSEMBLY, VERTICAL BOARD-TO-BOARD, CHAMP .050, SERIES I			
MATERIAL		PRODUCT SPEC	SIZE	CAGE CODE	DRAWING NO	RESTRICTED TO
		APPLICATION SPEC	A3	00779	C-1734100	
		WEIGHT	CUSTOMER DRAWING		SCALE	SHEET 3 of 4
						REV E

THIS DRAWING IS UNPUBLISHED. RELEASED FOR PUBLICATION
 © COPYRIGHT - By - ALL RIGHTS RESERVED.

LOC		DIST		REVISIONS				
P	LTR	DESCRIPTION			DATE	DWN	APVD	
	-	SEE SHEET 1			-	-	-	



G.W./CARTON (KG)	N.W./CARTON (KG)	PCS/TRAY	TRAYS/CARTON	QUANTITY/CARTON (PCS)	PART NUMBER		POS.
					1-1734100-6	3-1734100-6	
2.85	1.97	16	10	160	5-1734100-8	3-1734100-8	180
2.62	1.73	16	10	160	5-1734100-6	3-1734100-6	160
					1-1734100-6		

THIS DRAWING IS A CONTROLLED DOCUMENT.

DIMENSIONS: mm	TOLERANCES UNLESS OTHERWISE SPECIFIED:	DWN	TE Connectivity	
0 PLC ± - 1 PLC ± - 2 PLC ± - 3 PLC ± - 4 PLC ± - ANGLES ± -	FINISH	CHK	NAME	
MATERIAL		APVD	PLUG ASSEMBLY, VERTICAL BOARD-TO-BOARD, CHAMP .050, SERIES I	
		PRODUCT SPEC	SIZE	RESTRICTED TO
		APPLICATION SPEC	CAGE CODE	
		WEIGHT	DRAWING NO	
			A3 00779	
			C=1734100	
		CUSTOMER DRAWING	SCALE	SHEET
			-	4 OF 4
				REV E

Mouser Electronics

Authorized Distributor

Click to View Pricing, Inventory, Delivery & Lifecycle Information:

[TE Connectivity:](#)

[1734100-8](#)