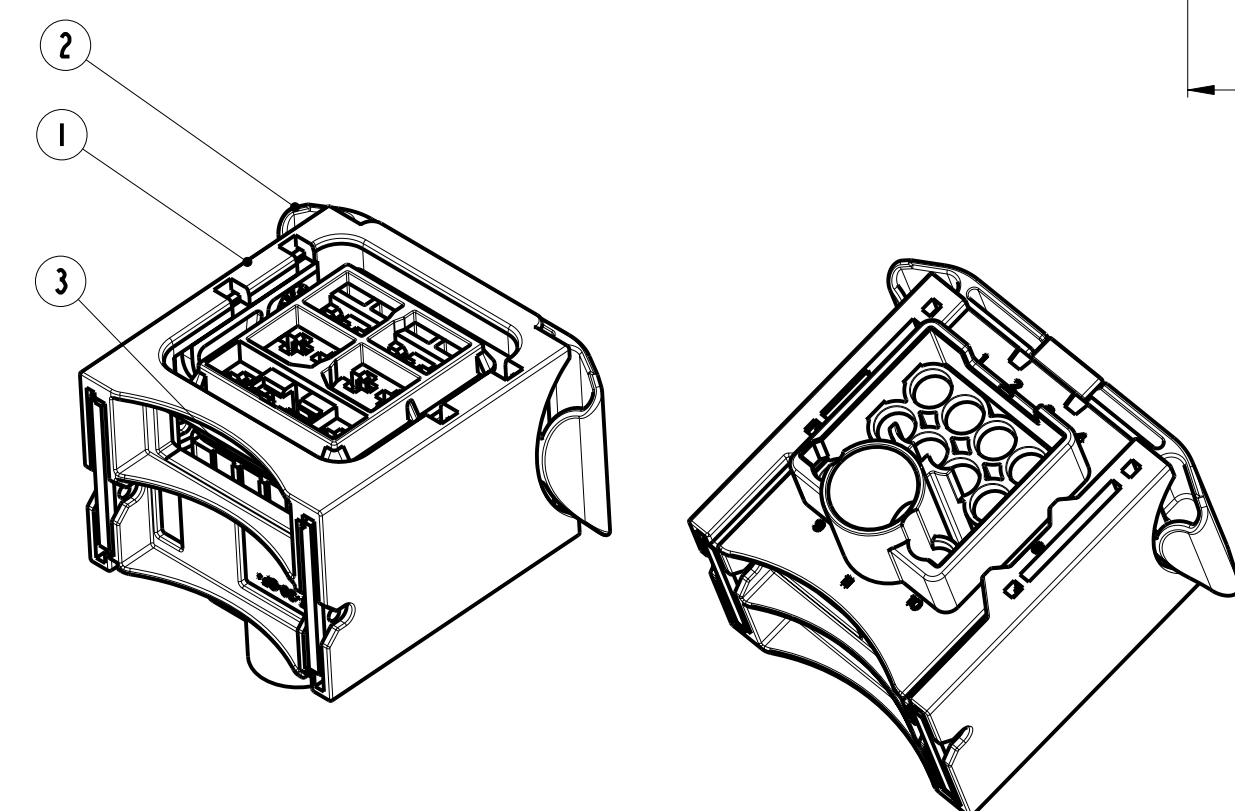
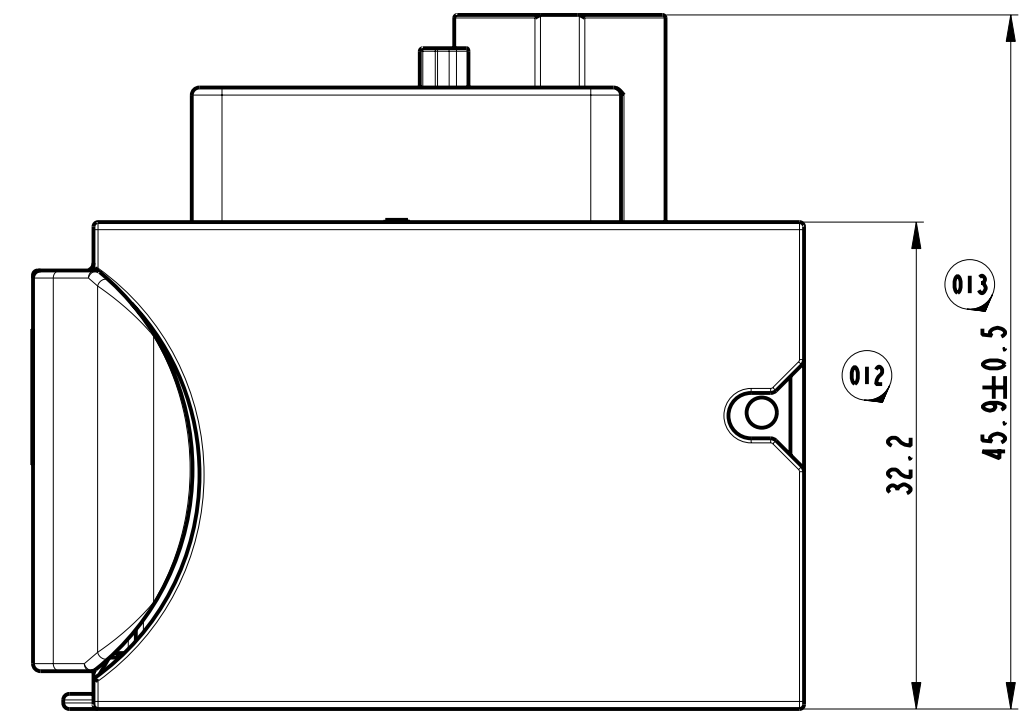
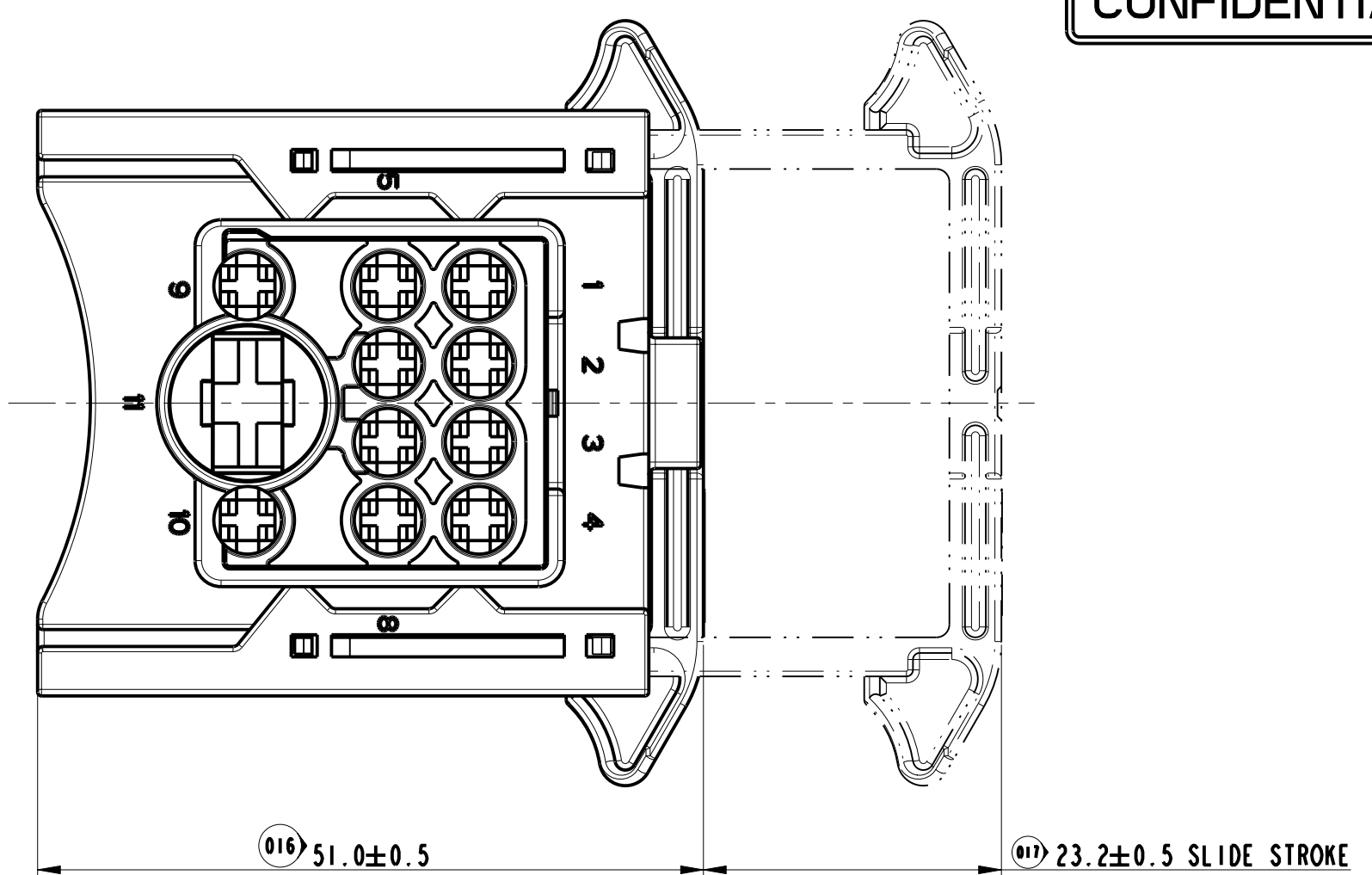
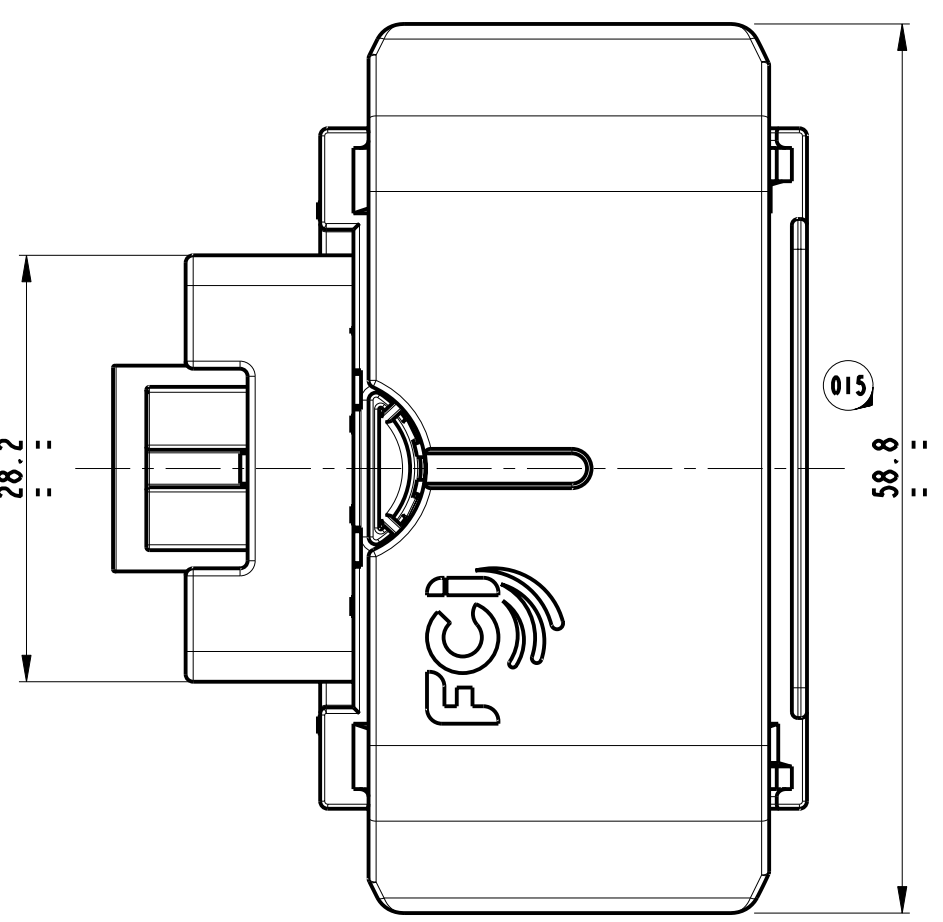
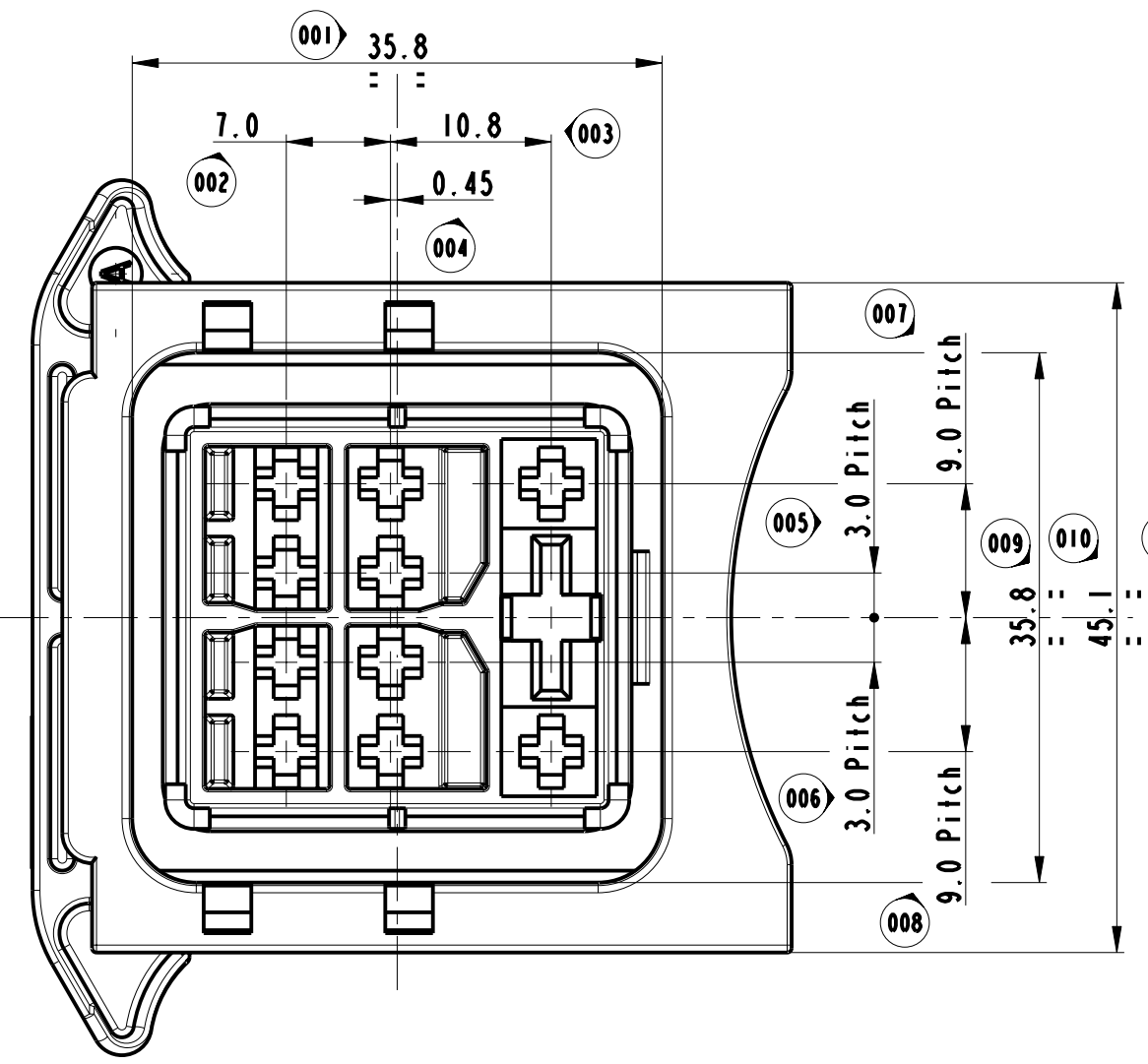


STRICTLY CONFIDENTIAL

LAY OUT 11 WAY



| 9.5mm FEMALE TERM. P/N | 8.0-10.0 | 60993304 YELLOW | 10889241 YELLOW | 5.4-6.6 | 60993306 WHITE | 12186633 WHITE |
|--------------------------------------|-----------|--------------------|-----------------------|--------------|----------------------------|-------------------------------|
| 9.5mm FEMALE TERM. P/N F582210 | 6.0 | 60993301 BLACK | 15327788 BLACK | 3.8-5.2 | | |
| 9.5mm FEMALE TERM. P/N 60070451 | 4.0 | 60993308 GREEN | 13546490 GREEN | 3.4-3.7 | | |
| DCS2 2.8mm FEMALE TERM. P/N 60012941 | 1.5-2.5 | 60994034 YELLOW | 10779161 YELLOW | 2.7-2.9 | 60994007 GREEN | 10779160 GREEN |
| | | 60994023 RED | 10779159 RED | 2.2-2.6 | | |
| DCS2 2.8mm FEMALE TERM. P/N 60012931 | 0.5-1.0 | 60994015 BLUE | 10779162 BLUE | 1.2-2.0 | | |
| DCS2 2.8mm FEMALE TERM. P/N 60012911 | 0.35 | | | | | |
| USABLE TERMINAL FOR THIS CONNECTOR | WIRE SIZE | MVL P/N SWS COLOUR | DELPHI P/N SWS COLOUR | Ø INSULATION | MVL P/N CAVITY PLUG COLOUR | DELPHI P/N CAVITY PLUG COLOUR |

ASSEMBLY CONFIGURATIONS

| LAY OUT | 9 WAY | 7 WAY | 10 WAY | 11 WAY | |
|------------------------|----------|------------|------------|----------|-----------------|
| | | | | | |
| DELPHI P/N | 13653766 | 33504496 | 33504497 | 13773530 | |
| REV. | 01 | 01 | 01 | 01 | |
| MVL P/N | 1721105 | F554310 | F654310 | 1721105A | |
| REV. | A | A | A | A | |
| CLOSED CAVITIES | 5, 8 | 2, 3, 5, 8 | 9 | none | |
| 1 HOUSING | BLACK | DARK BROWN | DARK GREEN | GREY | PBT 30GF |
| 2 SLIDE | RED | RED | RED | VIOLET | PA66 30GF |
| 3 SEAL | RED | RED | RED | RED | SILICON RUBBER |
| REF. COMPONENT | | | | | MATERIAL |

| PRODUCT SPEC. NUMERO: SPEC. DI PRODOTTO | PACKAGING SPEC. DATA | APPLICATION SPEC. SPEC. DI APPLICAZIONE | COPYRIGHT |
|---|----------------------|---|--|
| 15-11342 | 30/01/15 | F | DELPHI P/N ADDED |
| -- | 30/11/12 | E | Correction dimension 013, 010 and general tolerance value |
| -- | 06/11/12 | D | Correction on dimension 010 and 010. New logo |
| 12-01246 | 26/09/12 | C | PN F682210 replaced 60070471 and F582210 replaced 60070461 |
| 12-00609 | 07/05/12 | B | Added new layout 7way and 10way (ESR EU-120263) and layout 11way |
| 12-00042 | 08/02/12 | A | Modified cavities position of the 9way as the 11way (ref eca 12-01212) |
| 12-00042 | 08/02/12 | A | Changed Slide colour and drawing description |

| ECN-NO. NUMERO: ECN | DATE DD / MM / YY | REVISION REVISIONE | POSITION POSIZIONE | CHANGE DESCRIPTION DESCRIZIONE MODIFICA | DRAWN BY CHK. BY DISEGNATORE | CHK. BY APPR. BY CONTROLLATO |
|---------------------|-------------------|--------------------|--------------------|---|------------------------------|------------------------------|
| | | | | | | |

| PRODUCT SPEC. NUMERO: SPEC. DI PRODOTTO | PACKAGING SPEC. DATA | APPLICATION SPEC. SPEC. DI APPLICAZIONE | COPYRIGHT |
|---|----------------------|---|---|
| IPS 292 | 17211105 | IPS 293 | DELPHI CORPORATION AND/OR ITS AFFILIATES. ALL RIGHTS RESERVED. REVISED THIS DRAWING IS THE PROPERTY OF DELPHI CORPORATION. THE REPRODUCTION, DISTRIBUTION AND UTILIZATION OF THIS DOCUMENT OR ITS RELATED CAD DATA, AS WELL AS COMMUNICATION OF ANY CONTENT TO OTHERS, WITHOUT EXPRESS AUTHORIZATION IS PROHIBITED. |

| TOLERANCES TOLLERANZE | ± 0.3mm / ± 0.0125" | MATERIAL: MATERIALE | SURFACE FINISH FINITURA SUPERFICIALE |
|--|---------------------|---------------------------|--------------------------------------|
| COUNTERPART N. CONTROPARTE N. | | SEE TABLE | |
| DO NOT SCALE DRAWING DISEGNO FUORI SCALA | | COLOUR: COLORE: SEE TABLE | |
| DRAWN BY DISEGNATORE | DATE DATA | NAME NOME | TITLE DESCRIZIONE |
| 30/07/04 | 30/07/04 | R.P. | CONNECTOR FOR GLOW PLUG UNIT |
| CHECKED BY CONTROLLATO | 30/07/04 | T.C. | |
| APPROVED BY APPROVATO | 30/07/04 | T.C. | |

| DELPHI | DELPHI PACKARD ELECTRICAL/ELECTRONIC ARCHITECTURE | TORINO, ITALY |
|-------------------------------|---|---------------------|
| | | |
| ISO PROJECTION PROIEZIONE ISO | DIMENSION IN MILLIMETERS DIMENSIONI IN MILLIMETRI | DWG SIZE FORMATO A2 |
| DRAWING NUMBER NUMERO DISEGNO | FSD 309771 | SHEET FOLIO 1 di 1 |
| FILE NAME NUMERO FILE | f3d309771 | SCALE SCALA 1:1 |

Mouser Electronics

Authorized Distributor

Click to View Pricing, Inventory, Delivery & Lifecycle Information:

[Aptiv:](#)

[17211105](#) [17211105A](#) [17211105A-B](#)