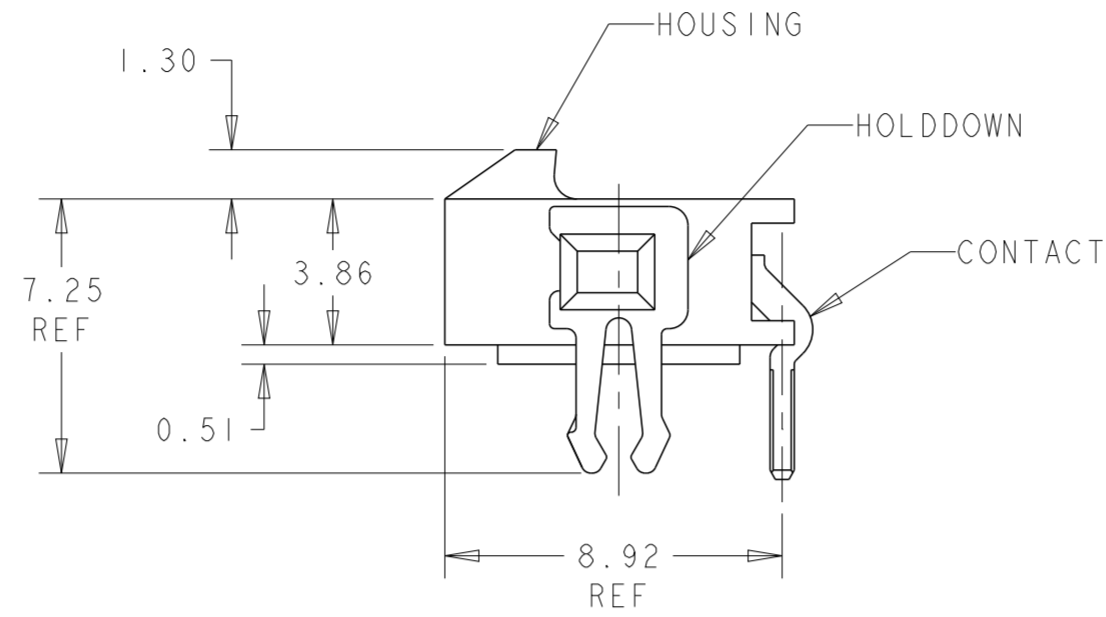
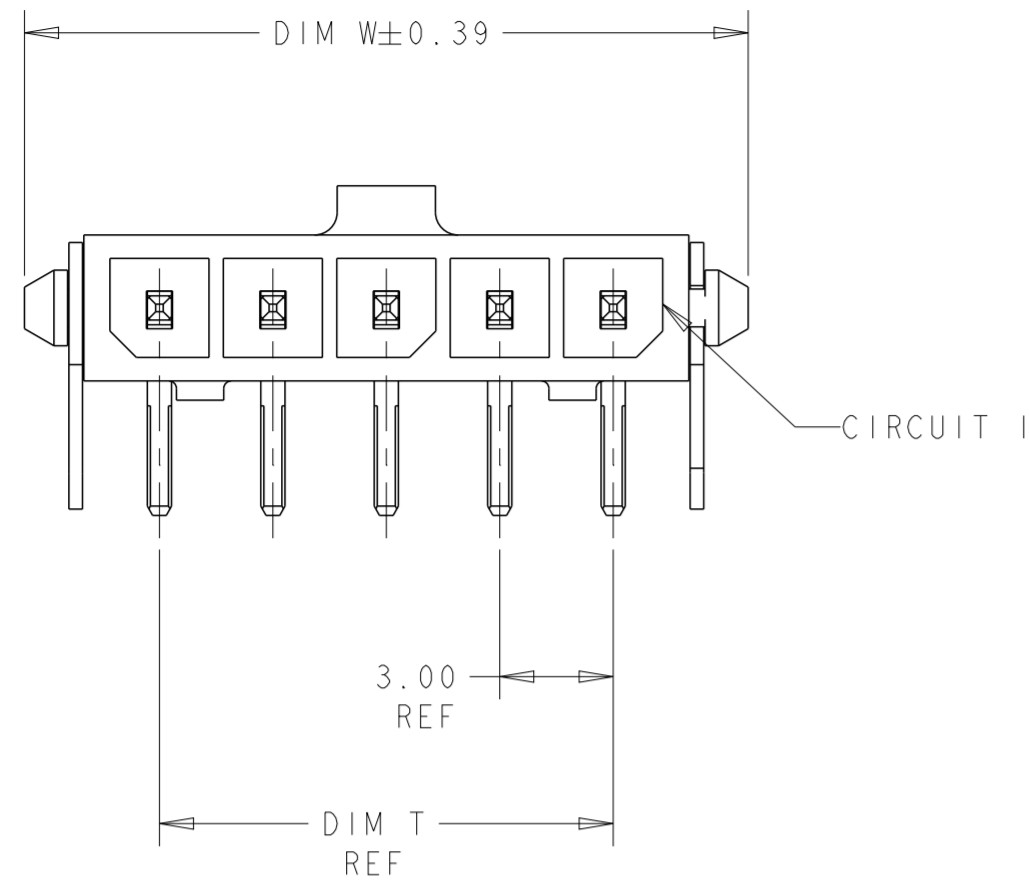
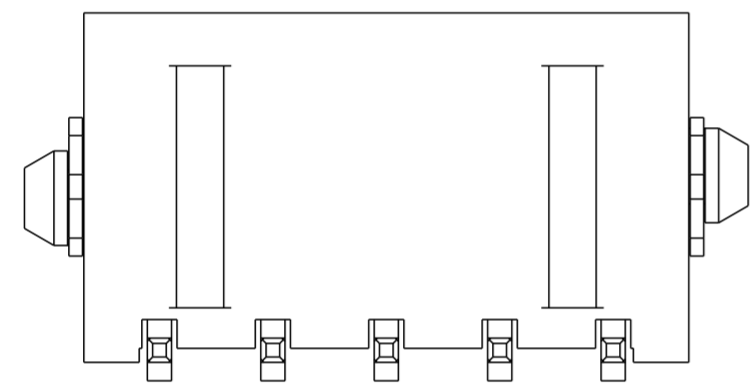


THIS DRAWING IS UNPUBLISHED. RELEASED FOR PUBLICATION 2011
 © COPYRIGHT 2011 ALL RIGHTS RESERVED.

REVISIONS					
P	LTR	DESCRIPTION	DATE	DWN	APVD
	A2	REVISED PER ECR-16-011494	26JUN2017	NK	CX

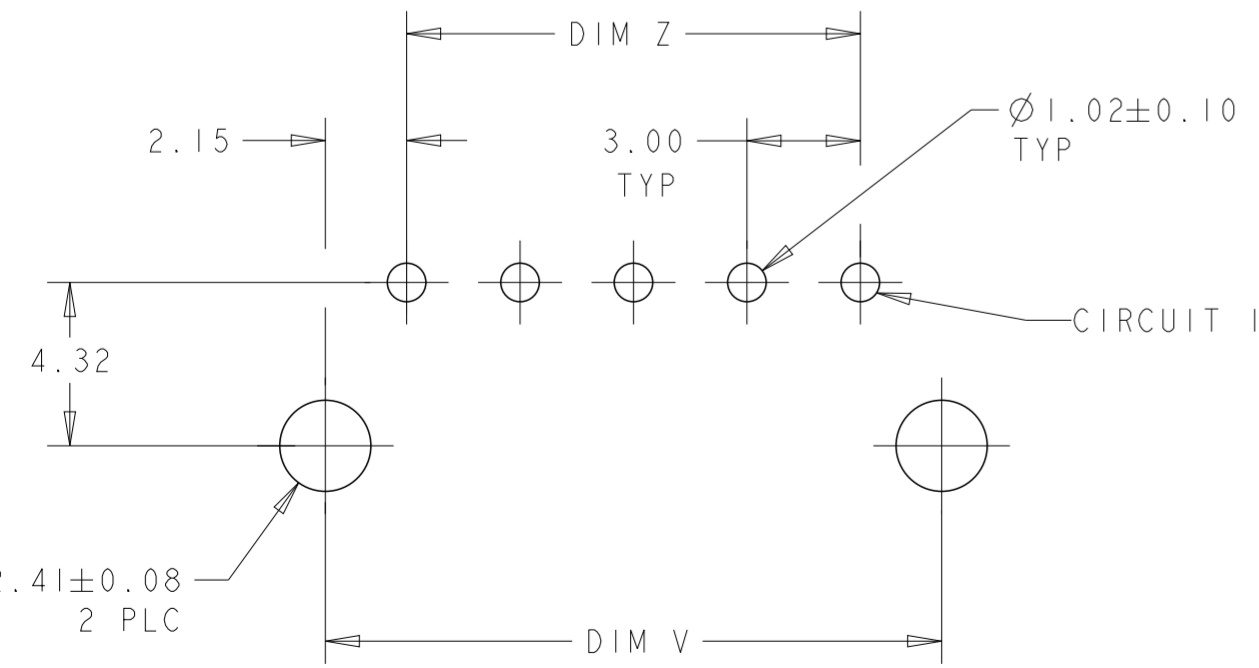
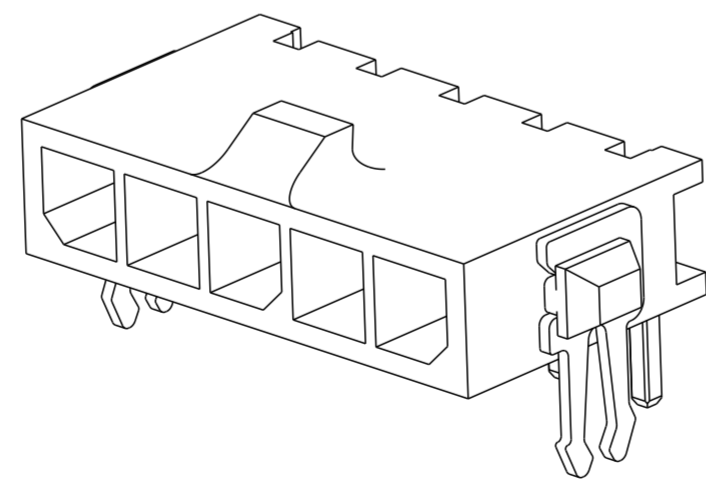


- 1 MATERIAL: CONTACTS - BRASS
HOUSING - UL 94V-0 RATED HIGH TEMP NYLON, COLOR BLACK.
HOLDDOWNS: - PHOSPHOR BRONZE.
- 2 PLATING: CONTACTS - 0.38µm MINIMUM GOLD ON MATING END,
2.54µm MINIMUM TIN LEAD ON SOLDER TAILS, BOTH OVER
1.27µm MINIMUM NICKEL.
HOLDDOWNS: 2.54µm MINIMUM TIN-LEAD OVER 1.27µm MINIMUM
NICKEL.
- 4 RECOMMENDED PC BOARD THICKNESS OF 1.57.
- 5 PLATING: CONTACTS - 0.38µm MINIMUM GOLD ON MATING END,
2.54µm MINIMUM MATTE TIN ON SOLDER TAILS, BOTH OVER
1.27µm MINIMUM NICKEL.
HOLDDOWNS: 2.54µm MINIMUM MATTE TIN OVER 1.27µm MINIMUM
NICKEL.



5	33.00	37.43	33.00	40.14	12	3-1445088-2
5	30.00	34.43	30.00	37.14	11	3-1445088-1
5	27.00	31.43	27.00	34.14	10	3-1445088-0
5	24.00	28.43	24.00	31.14	9	2-1445088-9
5	21.00	25.43	21.00	28.14	8	2-1445088-8
5	18.00	22.43	18.00	25.14	7	2-1445088-7
5	15.00	19.43	15.00	22.14	6	2-1445088-6
5	12.00	16.43	12.00	19.14	5	2-1445088-5
5	9.00	13.43	9.00	16.14	4	2-1445088-4
5	6.00	10.43	6.00	13.14	3	2-1445088-3
5	3.00	7.43	3.00	10.14	2	2-1445088-2

SUPERCEDED BY 3-1445088-2	2	33.00	37.43	33.00	40.14	12	1-1445088-2
SUPERCEDED BY 3-1445088-1	2	30.00	34.43	30.00	37.14	11	1-1445088-1
SUPERCEDED BY 3-1445088-0	2	27.00	31.43	27.00	34.14	10	1-1445088-0
SUPERCEDED BY 2-1445088-9	2	24.00	28.43	24.00	31.14	9	1-1445088-9
SUPERCEDED BY 2-1445088-8	2	21.00	25.43	21.00	28.14	8	1-1445088-8
SUPERCEDED BY 2-1445088-7	2	18.00	22.43	18.00	25.14	7	1-1445088-7
SUPERCEDED BY 2-1445088-6	2	15.00	19.43	15.00	22.14	6	1-1445088-6
SUPERCEDED BY 2-1445088-5	2	12.00	16.43	12.00	19.14	5	1-1445088-5
SUPERCEDED BY 2-1445088-4	2	9.00	13.43	9.00	16.14	4	1-1445088-4
SUPERCEDED BY 2-1445088-3	2	6.00	10.43	6.00	13.14	3	1-1445088-3
SUPERCEDED BY 2-1445088-2	2	3.00	7.43	3.00	10.14	2	1-1445088-2



PCB LAYOUT COMPONENT SIDE 4

THIS DRAWING IS A CONTROLLED DOCUMENT. DWN J.ROOT 09OCT2000
 CHK K.WHITAKER 17-APR-2001
 APVD C.JONES 17-APR-2001

STE TE Connectivity

RT ANG THRU HOLE HEADER ASSY,
 0.38 MIC GOLD CONTACTS W/THRU HOLE
 HOLDDOWNS, SGL ROW, MICRO MATE-N-LOK™

SIZE A2 CAGE CODE 00779 DRAWING NO C-1445088 RESTRICTED TO -
 CUSTOMER DRAWING SCALE 5:1 SHEET 1 OF 1 REV A2

Mouser Electronics

Authorized Distributor

Click to View Pricing, Inventory, Delivery & Lifecycle Information:

[TE Connectivity:](#)

[1445088-5](#)