

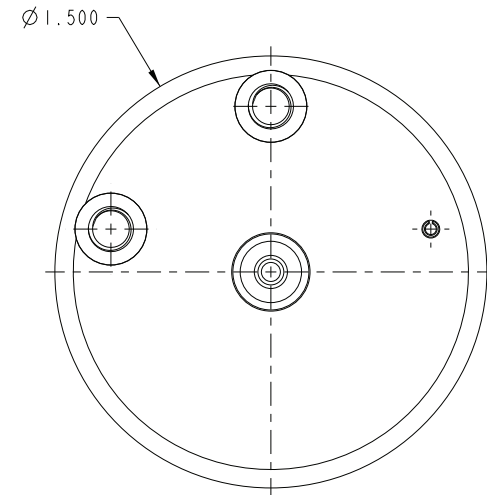
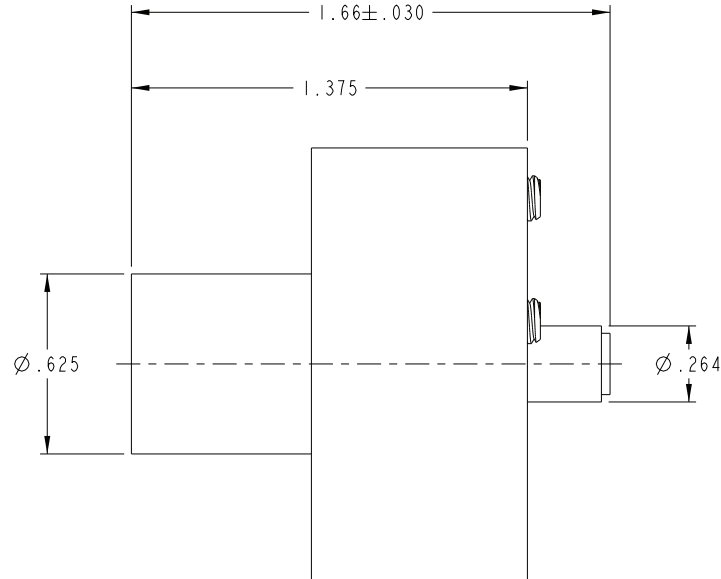
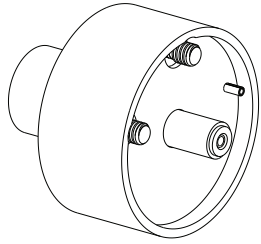
1

2



3

4

ZONE	REV	ECO	DESCRIPTION	APPROVER	DATE
	B	16788		L. MEIER	11/17/08
	C	53912		T. KOHLER	12/7/11



1. FINISH: BODY: CLEAR ANODIZE
LOCATOR: SILICONE PROTECTANT

	MODEL NO.					
	CAGE CODE 14949		TITLE POSITIONER, SOCKET CONTACT, 70 SERIER FULL CRIMP			
<small>This PROPRIETARY Document is property of Cinch Connectivity Solutions. It is confidential in nature, non-transferable, and issued with the clear understanding that it is not traced or copied without permission and is returnable upon demand.</small>	UNLESS OTHERWISE SPECIFIED	DRAWN BY	DATE	DRAWING NO.	REV.	FINISH
	.XX ± .02 .XXX ± .010 ANGLE ± 1°	C. WALLACE	1/30/12	010-0045	C	
	APPROVED BY	DATE	SIZE	DO NOT SCALE DRAWING	SCALE 3:1	SHEET 1 OF 3
	T. KOHLER	1/31/12	C			

Mouser Electronics

Authorized Distributor

Click to View Pricing, Inventory, Delivery & Lifecycle Information:

[Cinch Connectivity Solutions:](#)

[010-0045](#)