

# Tip Jack

## Insulated Metal Clad: Military Type

### SPECIFICATIONS

**Contact:** Brass per QQ-B-626D with wrap around beryllium copper spring per QQ-C-533

**Finish:** Gold

**Body:** Nylon 6/6 per ASTM D4066

**Threaded Brass Jacket:** Per QQ-B-626D, nickel plated

**Hardware:** Nickel plated washer and nut (unassembled)

**Panel Thickness:** Up to .218 (5.45)

### RATINGS

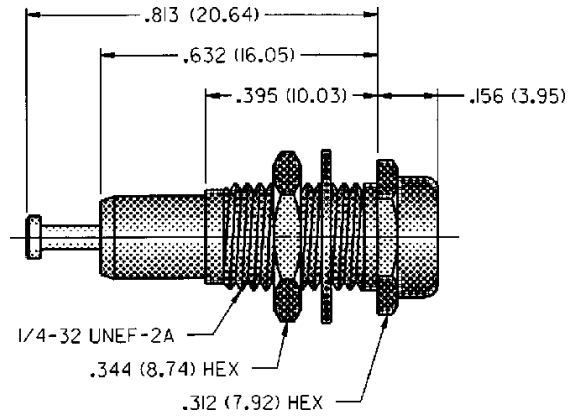
**Current:** 10 amps

**Breakdown Voltage:** 5700 Vrms minimum

**Contact Resistance:** 0.004 ohms maximum

**Contact-To-Panel C:** 2 pF nominal

Manufactured to meet MIL-C-39024/10



GOLD PLATING		
JCI PART NO. TO MIL-SPEC. PART NO. CROSS REFERENCE		
PART NO.	COLOR	MIL-C-39024/10
105-0202-200	Red	-02

**For Standard Tip Plug: .080 (2.00) Diameter**

### FEATURES:

- Machined contact with turret terminal
- For military or industrial applications
- Closed entry blocks access of probes greater than .085 (2.16)
- Nylon UL approved for self extinguishing

# Mouser Electronics

Authorized Distributor

Click to View Pricing, Inventory, Delivery & Lifecycle Information:

[Cinch Connectivity Solutions:](#)

[105-0202-200](#)