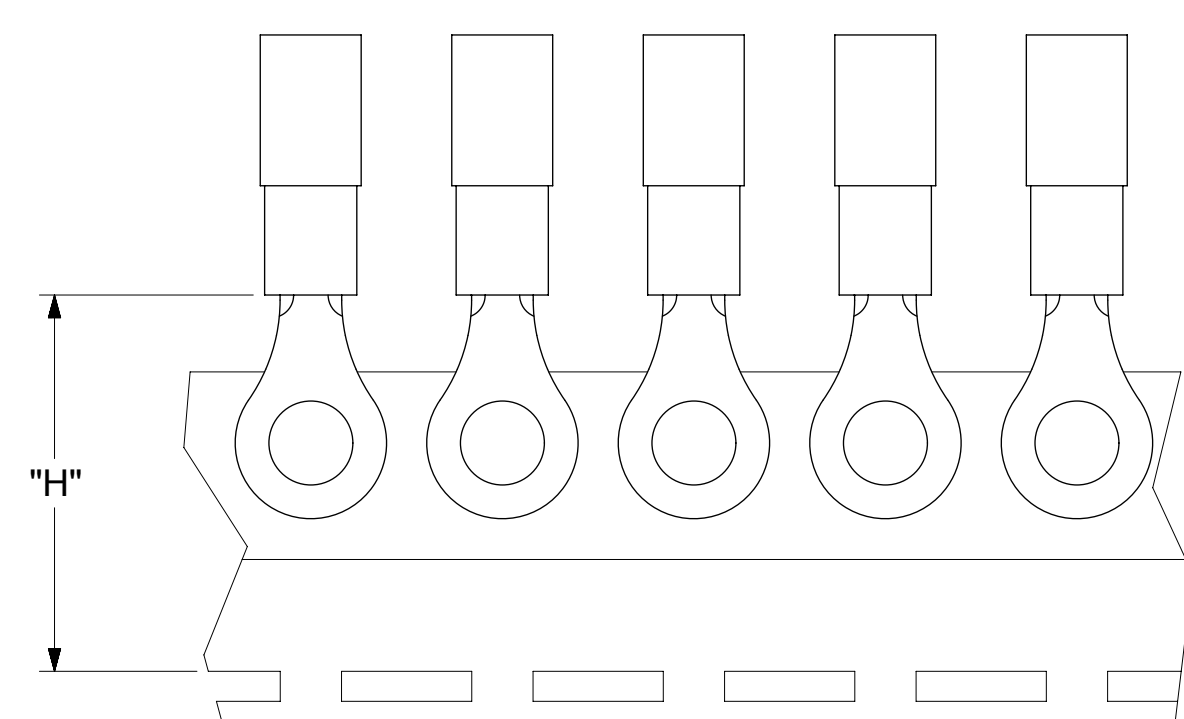
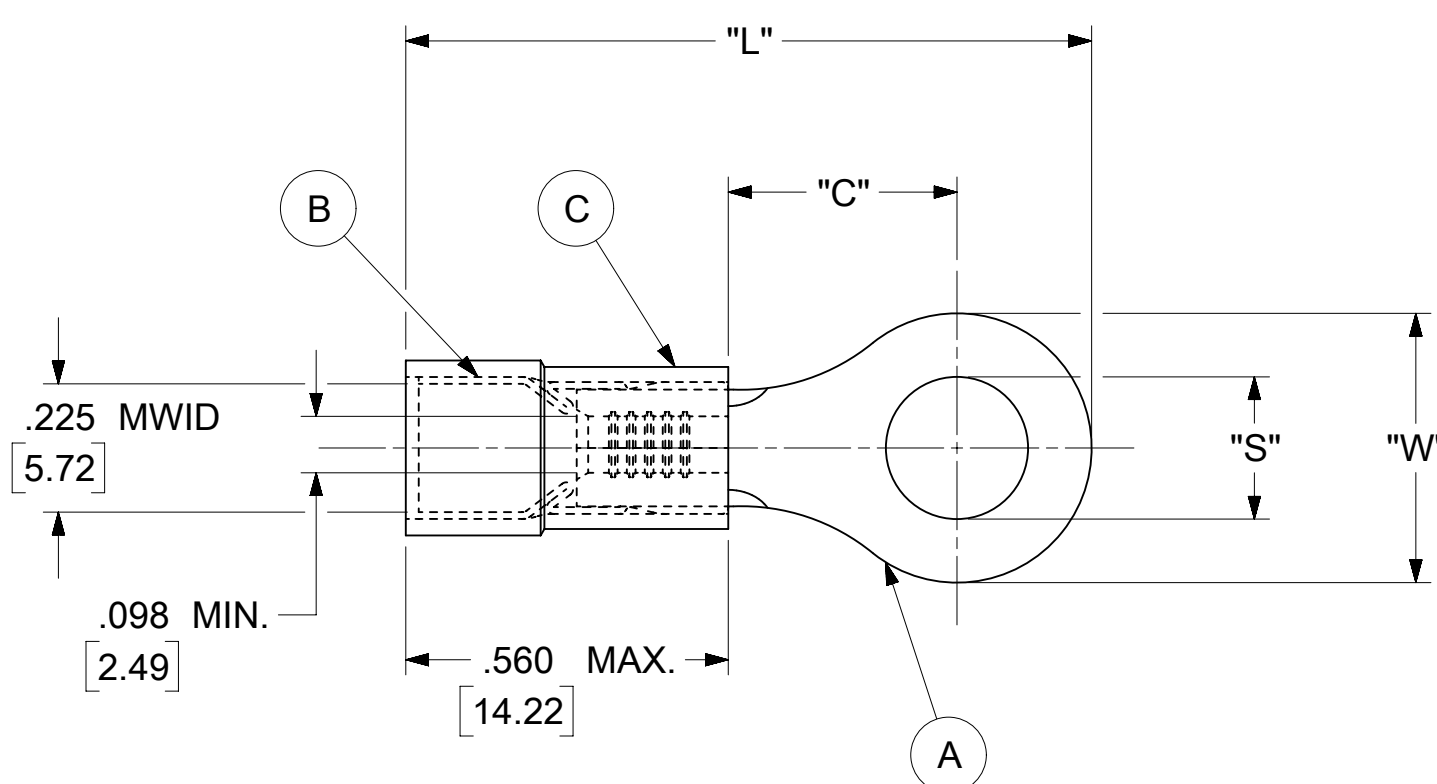


LOOSE PIECE		TAPE MOUNTED		SPECIFICATIONS						
MATERIAL NUMBER	ENGINEERING NUMBER	MATERIAL NUMBER	ENGINEERING NUMBER	STUD SIZE	"S" ±.005 [0.13]	"W" ±.010 [0.25]	"C" MIN.	"L" MAX.	"H"	STOCK ±.001 [0.025] THICKNESS
190580016	B-801-12HD	---	---	12	.515 [13.08]	.750 [19.05]	.611 [15.52]	1.586 [40.28]	---	.050 [1.27]
---	---	---	---	14	.265 [6.73]					
---	---	---	---	38	.390 [9.91]					
---	---	---	---	56	.328 [8.33]					
190580026	B-801-76HD	---	---	76	.453 [11.51]	.375 [9.53]	.303 [7.70]	1.091 [27.71]	.980 [24.89]	.050 [1.27]
190580037	B-828-06HD	---	---	6	.146 [3.71]					
190580041	B-828-08HD	---	---	8	.173 [4.39]					
190580047	B-828-10HD	190580050	B-828-10HDT	10	.198 [5.03]					
190580055	B-830-10HD	---	---	10	.198 [5.03]	.530 [13.46]	.393 [9.98]	1.258 [31.95]	.980 [24.89]	.050 [1.27]
190580063	B-830-14HD	190580068	B-830-14HDT	14	.265 [6.73]					
190580072	B-830-56HD	190580077	B-830-56HDT	56	.328 [8.33]					
---	---	---	---	4	.119 [3.02]					
---	---	---	---	6	.146 [3.71]	.282 [7.16]	.306 [7.77]	1.047 [26.59]	.980 [24.89]	.050 [1.27]
---	---	---	---	8	.173 [4.39]					
---	---	---	---	10	.198 [5.03]					
190580112	B-840-14HD	---	---	14	.265 [6.73]					
190580117	B-840-38HD	190580119	B-840-38HDT	38	.390 [9.91]	.592 [15.04]	.466 [11.84]	1.362 [34.59]	1.172 [29.77]	.050 [1.27]
190580123	B-840-56HD	---	---	56	.328 [8.33]					



PARTS ON TAPE

- NOTES:
- MATERIAL:
    - (A). RING TONGUE TERMINAL: COPPER PLATING: ELECTRO-TIN (.0003 MIN.)
    - (B). TIN-PLATED BRASS FUNNEL FERRULE
    - (C). INSULATION: NYLON (YELLOW)
  - MWID: MAXIMUM WIRE INSULATION DIAMETER
  - WIRE SIZE: 16 -14 AWG  
1.0 -2.5 MM<sup>2</sup>
  - "UL" LISTING #E32244  
"CSA" LISTING #18689
  - ALL DIMENSIONS IN INCHES/[MM].
  - PARTS ARE ROHS COMPLIANT.
  - DIMS. SHOWN ARE FOR REFERENCE ONLY.

SYMBOLS	THIS DRAWING CONTAINS INFORMATION THAT IS PROPRIETARY TO MOLEX ELECTRONIC TECHNOLOGIES, LLC AND SHOULD NOT BE USED WITHOUT WRITTEN PERMISSION			
	DIMENSION UNITS	SCALE		CURRENT REV DESC: MIGRATION TO ECTR/NX
▽ = 0	INCH/MM	NTS		EC NO: 619818 DRWN: ABENJAMINLW 2019/06/18 CHK'D: GROJAS01 2019/06/27 APPR: JMACNEIL 2019/07/10
▽ = 0	GENERAL TOLERANCES (UNLESS SPECIFIED)			
▽ = 0		MM	INCH	INITIAL REVISION: DRWN: JJ 1984/11/29 APPR: JMACNEIL 2019/07/10
▽ = 0	4 PLACES	±	±	
▽ = 0	3 PLACES	±	± 0.005	SERIES 19058
▽ = 0	2 PLACES	± 0.13	± 0.01	
▽ = 0	1 PLACE	± 0.25	±	MATERIAL NUMBER SEE TABLE
▽ = 0	0 PLACES	±	±	
▽ = 0	ANGULAR TOL	± 0.5 °		CUSTOMER GENERAL MARKET
▽ = 0	DRAFT WHERE APPLICABLE MUST REMAIN WITHIN DIMENSIONS			
▽ = 0	THIRD ANGLE PROJECTION	DRAWING	C-SIZE	SHEET NUMBER 1 OF 1

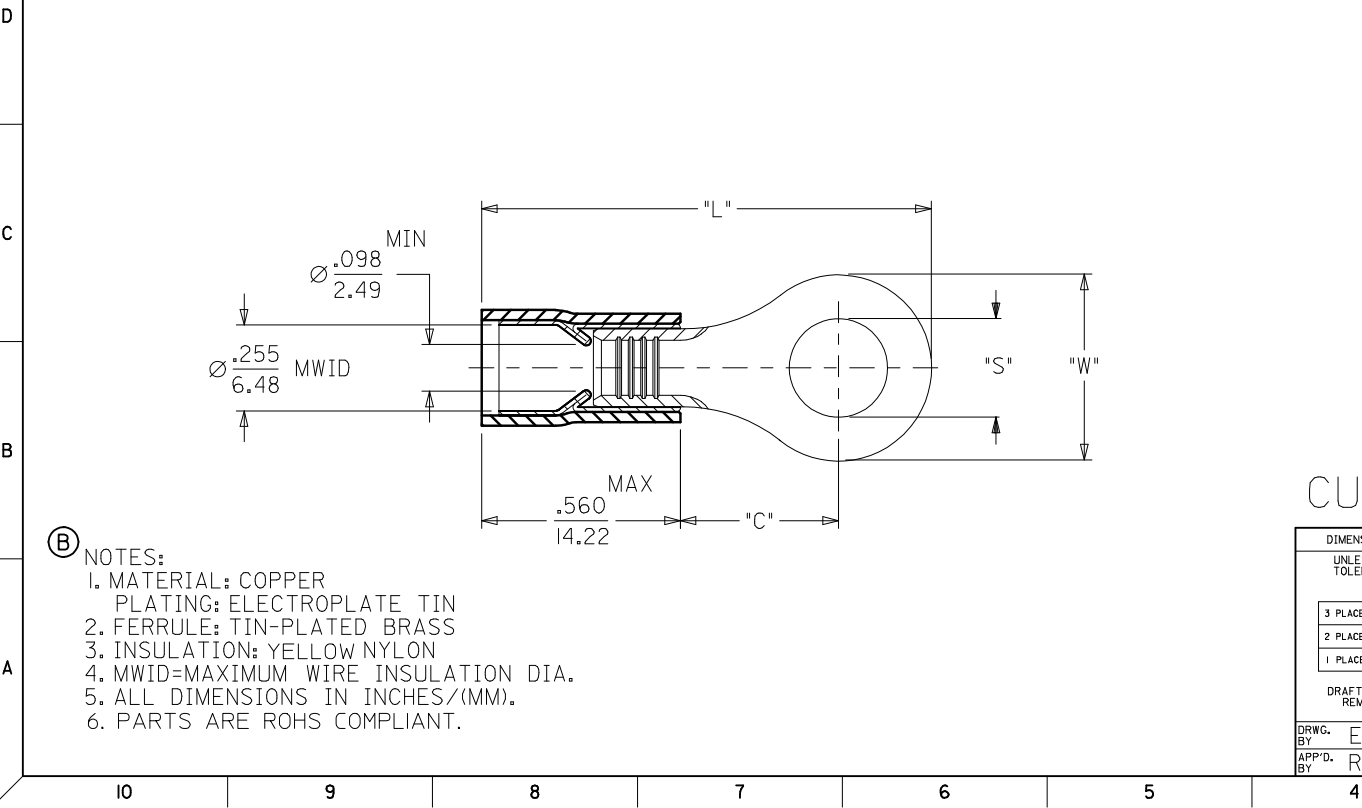
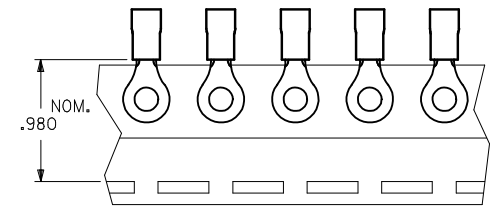


RING TONGUE HEAVY  
DUTY TERMINAL AVIKRIMP 800-SERIES

PRODUCT CUSTOMER DRAWING

DOCUMENT NUMBER	DOC TYPE	DOC PART	REVISION
190580016	PSD	000	A

	10	9	8	7	6	5	4	3	2	1
	MATERIAL NUMBER	ALTERNATE NUMBER	STUD SIZE	"S"	"W" MAX	"C" MIN	"L" MAX	PACKAGING		
F	190580021	B-801-14HDX	1/4	.265 (6.73)	.760 (19.30)	.641 (16.28)	1.581 (40.15)	LOOSE PIECE		
	190580025	B-801-56HDX	5/16	.328 (8.33)	.760 (19.30)	.641 (16.28)	1.581 (40.15)			
	190580023	B-801-38HDX	3/8	.390 (9.91)	.760 (19.30)	.641 (16.28)	1.581 (40.15)			
	190580027	B-801-76HDX	7/16	.453 (11.51)	.760 (19.30)	.641 (16.28)	1.581 (40.15)			
	190580018	B-801-12HDX	1/2	.515 (13.08)	.760 (19.30)	.641 (16.28)	1.581 (40.15)			
	190580035	B-828-04HDX	4	.123 (3.12)	.385 (9.78)	.423 (10.74)	1.086 (27.58)	TAPE MOUNTED		
	190580039	B-828-06HDX	6	.146 (3.70)	.385 (9.78)	.423 (10.74)	1.086 (27.58)			
	190580045	B-828-08HDX	8	.173 (4.39)	.385 (9.78)	.423 (10.74)	1.086 (27.58)			
E	190580051	B-828-10HDX	10	.198 (5.03)	.385 (9.78)	.423 (10.74)	1.086 (27.58)			
	190580054	B-828-209HDX	209	.209 (5.31)	.385 (9.78)	.423 (10.74)	1.086 (27.58)			
	190580019	B-801-12HDX	1/2	.515 (13.08)	.760 (19.30)	.641 (16.28)	1.581 (40.15)			
	190580036	B-828-04HDX	4	.123 (3.12)	.385 (9.78)	.423 (10.74)	1.086 (27.58)			
	190580040	B-828-06HDX	6	.146 (3.70)	.385 (9.78)	.423 (10.74)	1.086 (27.58)			
	190580046	B-828-08HDX	8	.173 (4.39)	.385 (9.78)	.423 (10.74)	1.086 (27.58)			
	190580053	B-828-10HDX	10	.198 (5.03)	.385 (9.78)	.423 (10.74)	1.086 (27.58)			



- ⓑ NOTES:
1. MATERIAL: COPPER  
PLATING: ELECTROPLATE TIN
  2. FERRULE: TIN-PLATED BRASS
  3. INSULATION: YELLOW NYLON
  4. MWID=MAXIMUM WIRE INSULATION DIA.
  5. ALL DIMENSIONS IN INCHES/(MM).
  6. PARTS ARE ROHS COMPLIANT.

B	CHANGED NYLON FROM BLUE TO YELLOW IPG2014-2101 2014/06/10 GR
A	NEW CUST. DWG. ETC2001-0196 2000/11/17 EDB
LTR.	REVISIONS

CUSTOMER DRAWING

DIMENSIONS SHOWN (METRIC) INCH		REVISE ONLY ON CAD SYSTEM																			
UNLESS OTHERWISE SPECIFIED TOLERANCES: ANGULAR ± 1/2°		TITLE AVIKRIMP EXPANDED RING TONGUE TERMINAL HEAVY DUTY 16-14 AWG																			
<table border="1"> <thead> <tr> <th></th> <th>INCH</th> <th>METRIC</th> </tr> </thead> <tbody> <tr> <td>3 PLACE</td> <td>± .005</td> <td>± ---</td> </tr> <tr> <td>2 PLACE</td> <td>± .01</td> <td>± 0.13</td> </tr> <tr> <td>1 PLACE</td> <td>± ---</td> <td>± 0.25</td> </tr> </tbody> </table>			INCH	METRIC	3 PLACE	± .005	± ---	2 PLACE	± .01	± 0.13	1 PLACE	± ---	± 0.25	<table border="1"> <tr> <td>molex ETC INC.</td> <td>SHEET NO.</td> <td>DATE</td> </tr> <tr> <td>PINELLAS PARK, FLA. 33781 U.S.A.</td> <td>1 OF 1</td> <td>00/09/29</td> </tr> </table>		molex ETC INC.	SHEET NO.	DATE	PINELLAS PARK, FLA. 33781 U.S.A.	1 OF 1	00/09/29
	INCH	METRIC																			
3 PLACE	± .005	± ---																			
2 PLACE	± .01	± 0.13																			
1 PLACE	± ---	± 0.25																			
molex ETC INC.	SHEET NO.	DATE																			
PINELLAS PARK, FLA. 33781 U.S.A.	1 OF 1	00/09/29																			
DRAFT WHERE APPLICABLE MUST REMAIN WITHIN DIMENSIONS		PART NO. SEE TABLE DRWG. NO. SD-19058-002																			
DRWG. BY: EDB	CHK'D. BY: RWD	FILE NAME: SD19058002 DGN	THIS DRAWING CONTAINS INFORMATION THAT IS PROPRIETARY TO MOLEX-ETC INC. AND SHOULD NOT BE USED WITHOUT WRITTEN PERMISSION.																		
APP'D. BY: RWD	SCALE: NO=NE	DIV. ET	SIZE B																		

# Mouser Electronics

Authorized Distributor

Click to View Pricing, Inventory, Delivery & Lifecycle Information:

[Molex:](#)

[19058-0023](#)