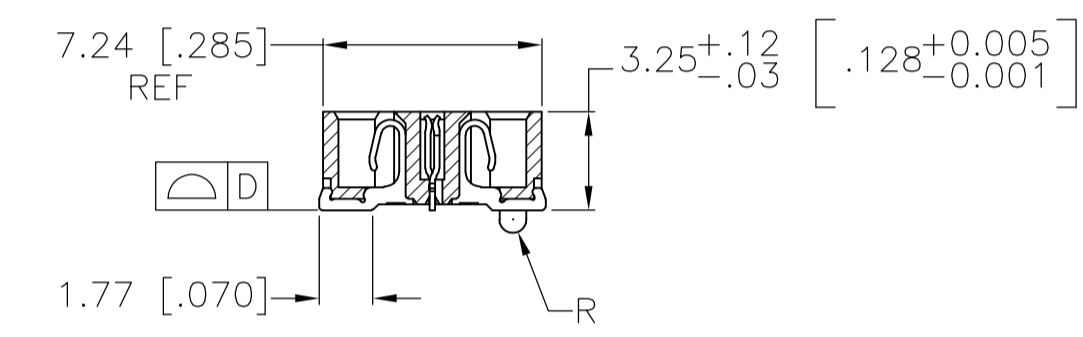
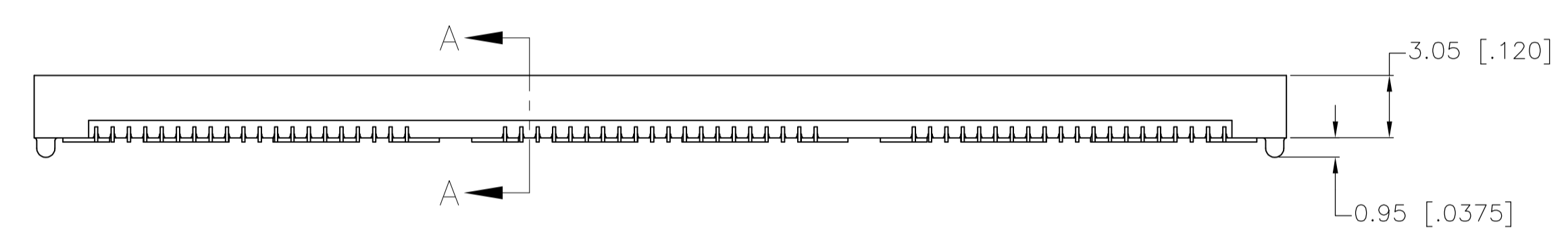
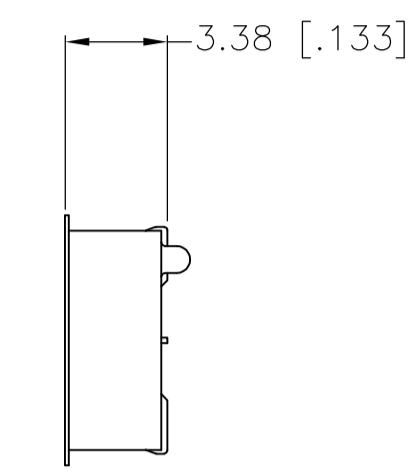
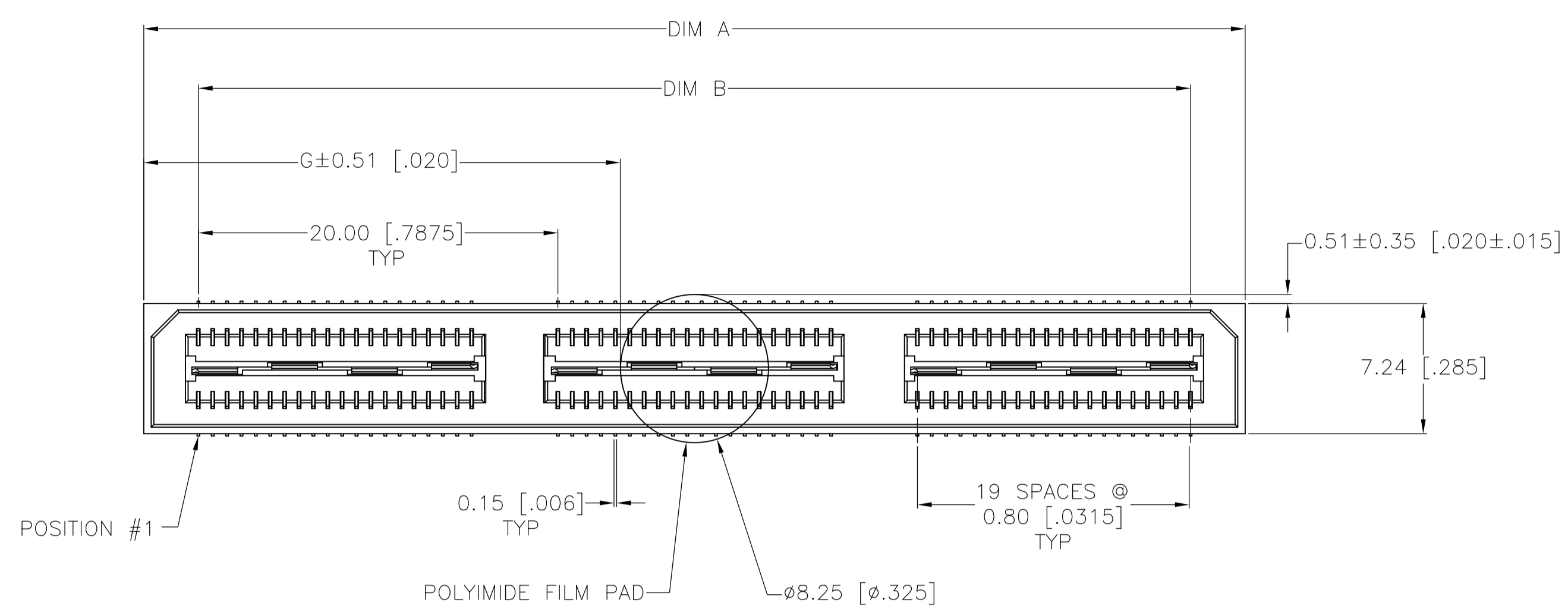
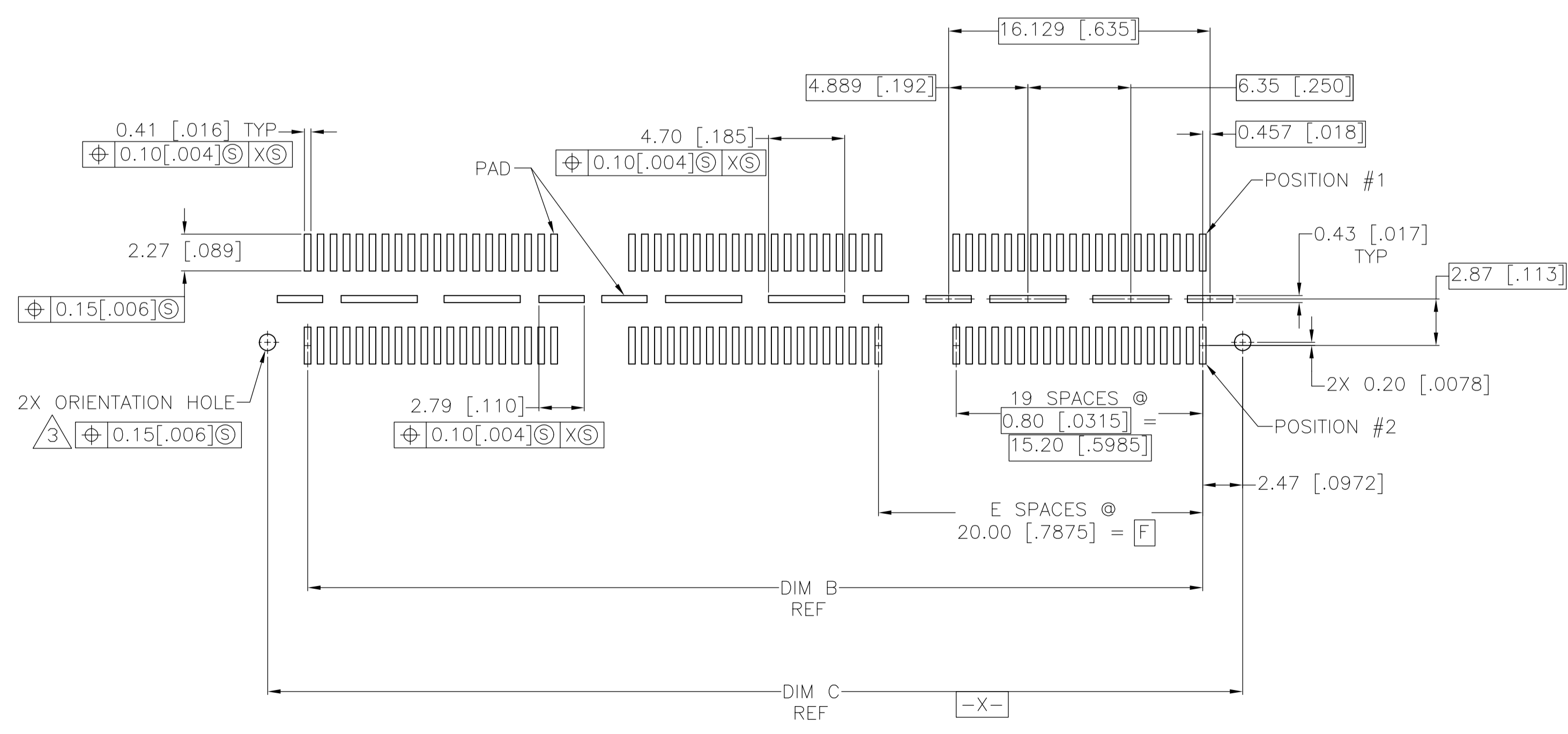
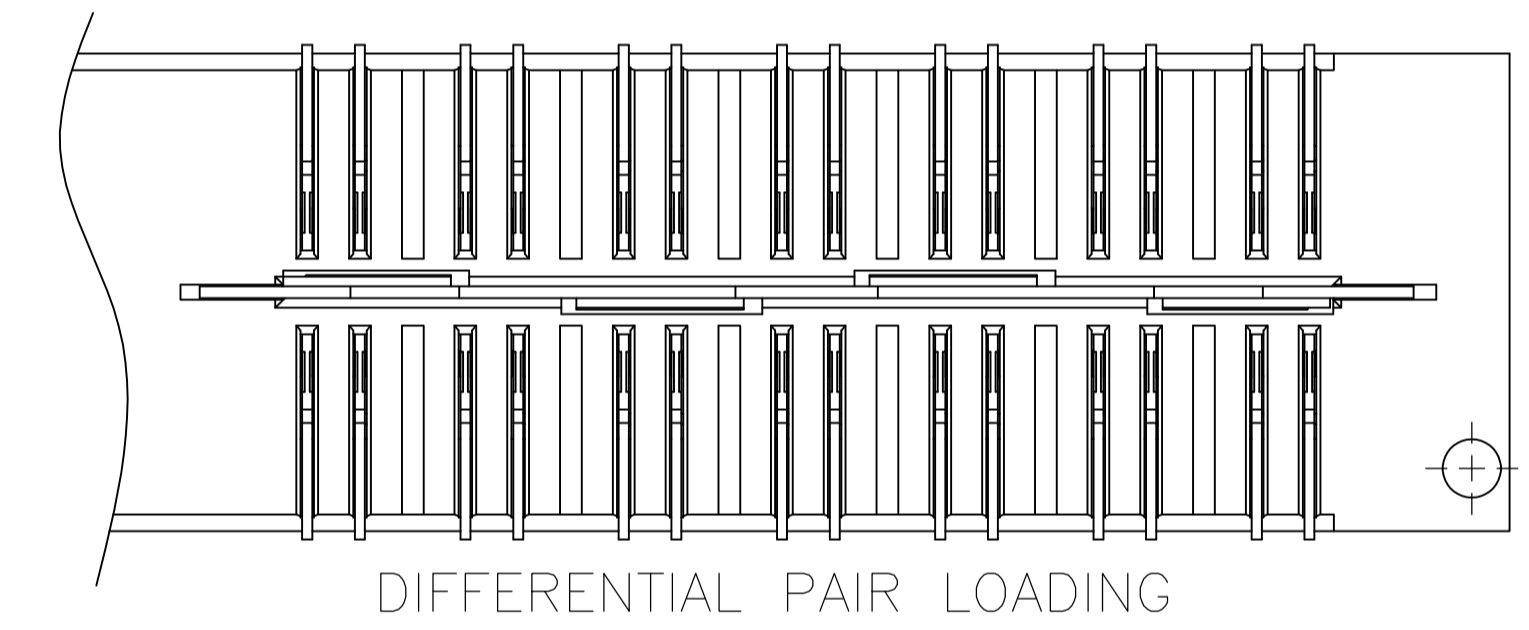
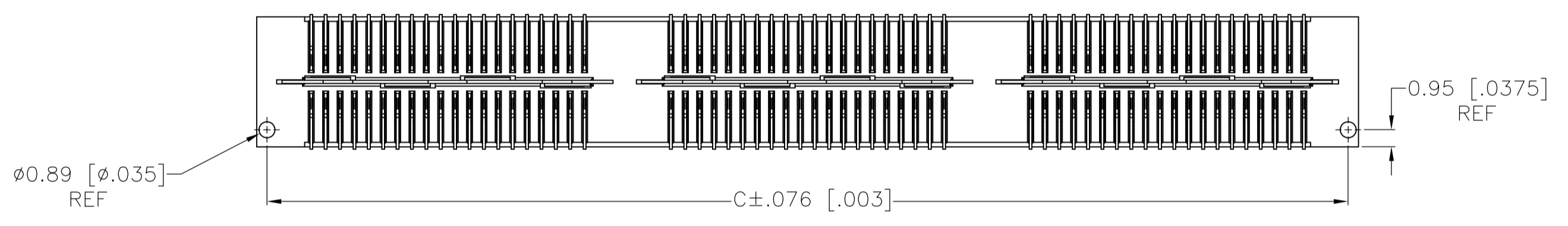


- 1 HOUSING: LCP, BLACK.
CONTACT & GROUND PLANE: PHOS BRONZE.
- 2 CONTACT PLATING: SELECT 0.25 MICROMETERS (.00010 IN) MIN. GOLD.
- 3 FOR STANDARD APPLICATIONS, ORIENTATION HOLE TO BE $\phi 1.02$ [$\phi 0.400$].
- 4 OBSOLETE PARTS: OBSOLETE CIS STREAMLINING PER D.RENAUD/D.SINISI



SECTION A-A



ASSEMBLY	DESCRIPTION	QTY	UNIT PRICE	TOTAL PRICE	DATE	STATUS	POCKET TAPE	YES	NO	NO OF POS	PART NUMBER	
7-1658012-3	RECEPTACLE ASSEMBLY, VERTICAL	84				YES	POCKET TAPE	YES	NO	84	7-1658012-3	
7-1658012-4	RECEPTACLE ASSEMBLY, VERTICAL	56				YES	POCKET TAPE	YES	NO	56	7-1658012-4	
28	RECEPTACLE ASSEMBLY, VERTICAL	28				YES	POCKET TAPE	YES	NO	28	7-1658012-1	
120	RECEPTACLE ASSEMBLY, VERTICAL	120				YES	POCKET TAPE	NO	YES	120	6-1658012-3	
80	RECEPTACLE ASSEMBLY, VERTICAL	80				YES	POCKET TAPE	NO	YES	80	6-1658012-2	
40	RECEPTACLE ASSEMBLY, VERTICAL	40				YES	POCKET TAPE	NO	YES	40	6-1658012-1	
84	RECEPTACLE ASSEMBLY, VERTICAL	84				NO	POCKET TAPE	YES	NO	84	5-1658012-3	
56	RECEPTACLE ASSEMBLY, VERTICAL	56				NO	POCKET TAPE	YES	NO	56	5-1658012-2	
28	RECEPTACLE ASSEMBLY, VERTICAL	28				NO	POCKET TAPE	YES	NO	28	5-1658012-1	
120	RECEPTACLE ASSEMBLY, VERTICAL	120				NO	POCKET TAPE	NO	YES	120	4-1658012-3	
80	RECEPTACLE ASSEMBLY, VERTICAL	80				NO	POCKET TAPE	NO	YES	80	4-1658012-2	
40	RECEPTACLE ASSEMBLY, VERTICAL	40				NO	POCKET TAPE	NO	YES	40	4-1658012-1	
140	RECEPTACLE ASSEMBLY, VERTICAL	140				YES	TRAY	YES	NO	140	3-1658012-5	
112	RECEPTACLE ASSEMBLY, VERTICAL	112				YES	TRAY	YES	NO	112	3-1658012-4	
84	RECEPTACLE ASSEMBLY, VERTICAL	84				YES	TRAY	YES	NO	84	3-1658012-3	
56	RECEPTACLE ASSEMBLY, VERTICAL	56				YES	TRAY	YES	NO	56	3-1658012-2	
28	RECEPTACLE ASSEMBLY, VERTICAL	28				YES	TRAY	YES	NO	28	3-1658012-1	
200	RECEPTACLE ASSEMBLY, VERTICAL	200				YES	TRAY	NO	YES	200	2-1658012-5	
160	RECEPTACLE ASSEMBLY, VERTICAL	160				YES	TRAY	NO	YES	160	2-1658012-4	
120	RECEPTACLE ASSEMBLY, VERTICAL	120				YES	TRAY	NO	YES	120	2-1658012-3	
80	RECEPTACLE ASSEMBLY, VERTICAL	80				YES	TRAY	NO	YES	80	2-1658012-2	
40	RECEPTACLE ASSEMBLY, VERTICAL	40				YES	TRAY	NO	YES	40	2-1658012-1	
140	RECEPTACLE ASSEMBLY, VERTICAL	140				NO	TRAY	YES	NO	140	1-1658012-5	
112	RECEPTACLE ASSEMBLY, VERTICAL	112				NO	TRAY	YES	NO	112	1-1658012-4	
84	RECEPTACLE ASSEMBLY, VERTICAL	84				NO	TRAY	YES	NO	84	1-1658012-3	
56	RECEPTACLE ASSEMBLY, VERTICAL	56				NO	TRAY	YES	NO	56	1-1658012-2	
28	RECEPTACLE ASSEMBLY, VERTICAL	28				NO	TRAY	YES	NO	28	1-1658012-1	
200	RECEPTACLE ASSEMBLY, VERTICAL	200				NO	TRAY	NO	YES	200	1658012-5	
160	RECEPTACLE ASSEMBLY, VERTICAL	160				NO	TRAY	NO	YES	160	1658012-4	
120	RECEPTACLE ASSEMBLY, VERTICAL	120				NO	TRAY	NO	YES	120	1658012-3	
80	RECEPTACLE ASSEMBLY, VERTICAL	80				NO	TRAY	NO	YES	80	1658012-2	
40	RECEPTACLE ASSEMBLY, VERTICAL	40				NO	TRAY	NO	YES	40	1658012-1	
G	F	E	D	C	B	A	POLYIMIDE FILM Pad ▲		PACKAGING TYPE	DIFF. PAIR	NO OF POS	PART NUMBER

RECOMMENDED PC BOARD LAYOUT VIEWED FROM CONNECTOR SIDE

THIS DRAWING IS A CONTROLLED DOCUMENT. DIMENSIONS: mm [INCHES]. TOLERANCES UNLESS OTHERWISE SPECIFIED: 0 PLC ± .01, 1 PLC ± 0.01, 2 PLC ± 0.15 [0.005], 3 PLC ± 0.05 [0.002], 4 PLC ± .01. MATERIAL: 1, 2. FINISH: 1, 2. THIS DRAWING IS A CONTROLLED DOCUMENT. DIB: MCMMASTER 180CT04. C/D: 180CT04. APVD: D. DIXON 180CT04. NAME: RECEPTACLE ASSEMBLY, VERTICAL 0.80MM CL. APPLICATION SPEC: -. SIZE: A1. CASE CODE: 00779. DRAWING NO: 1658012. WEIGHT: -. RESTRICTED TO: CUSTOMER DRAWING. SCALE: 4:1. SHEET: 1 OF 1. REV: M2.

Mouser Electronics

Authorized Distributor

Click to View Pricing, Inventory, Delivery & Lifecycle Information:

[TE Connectivity:](#)

[4-1658012-3](#)