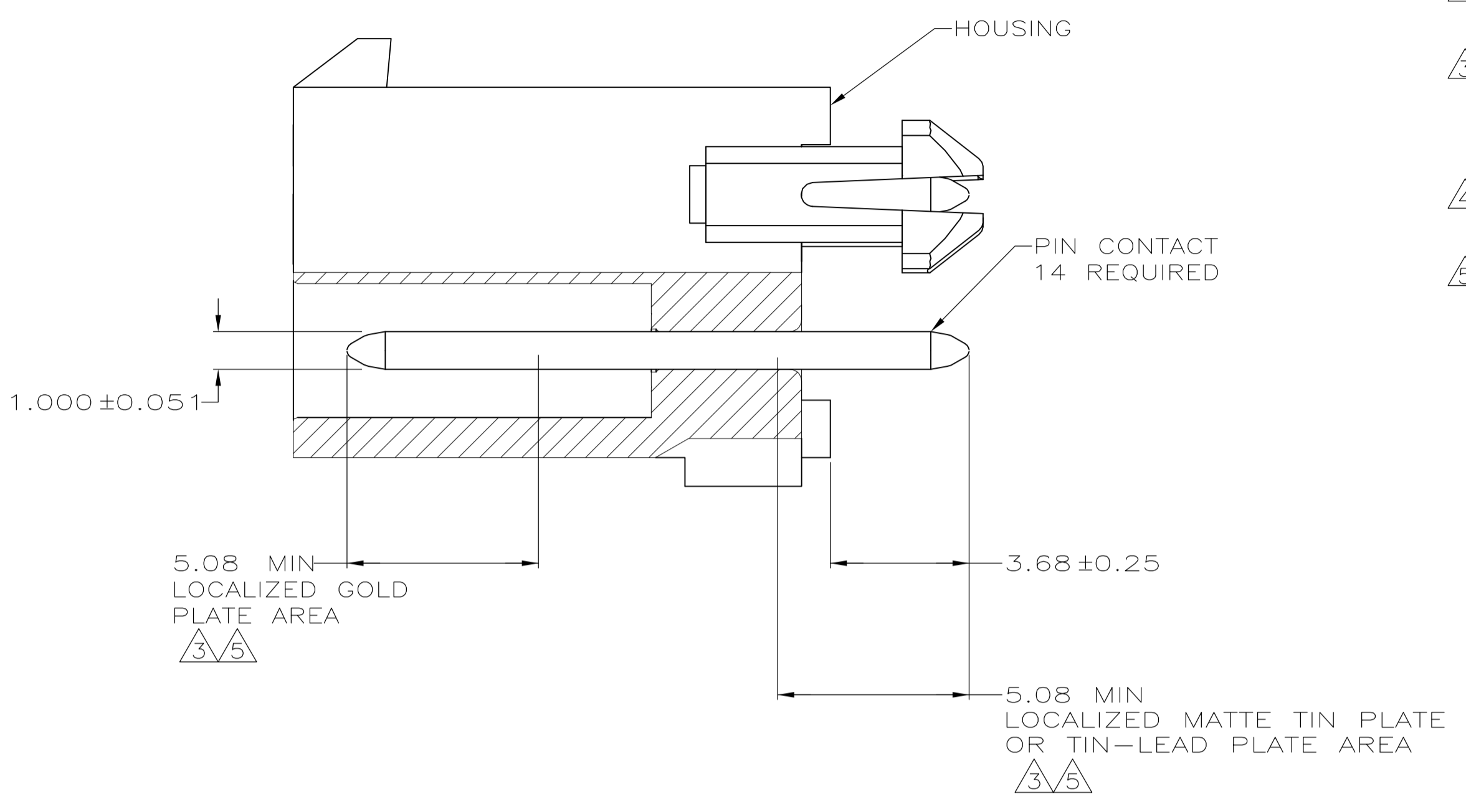
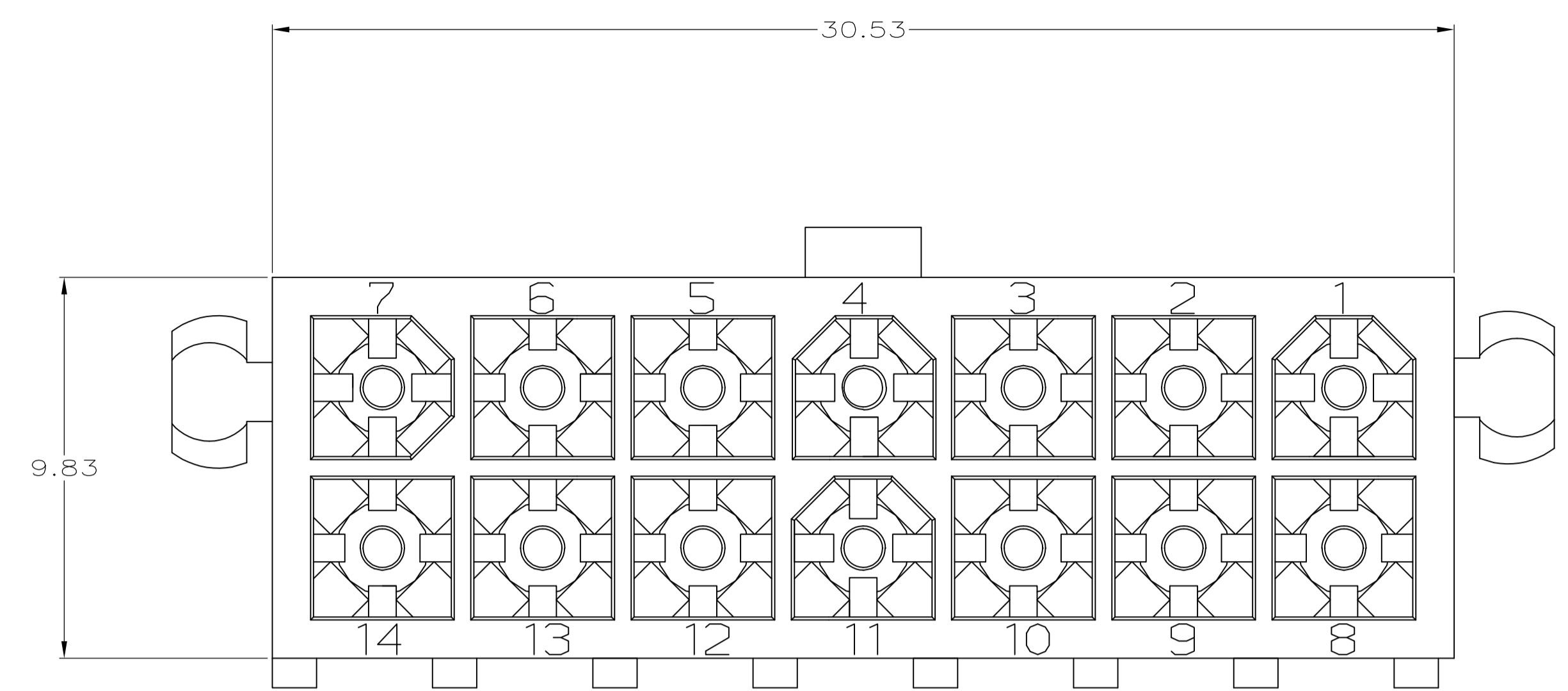
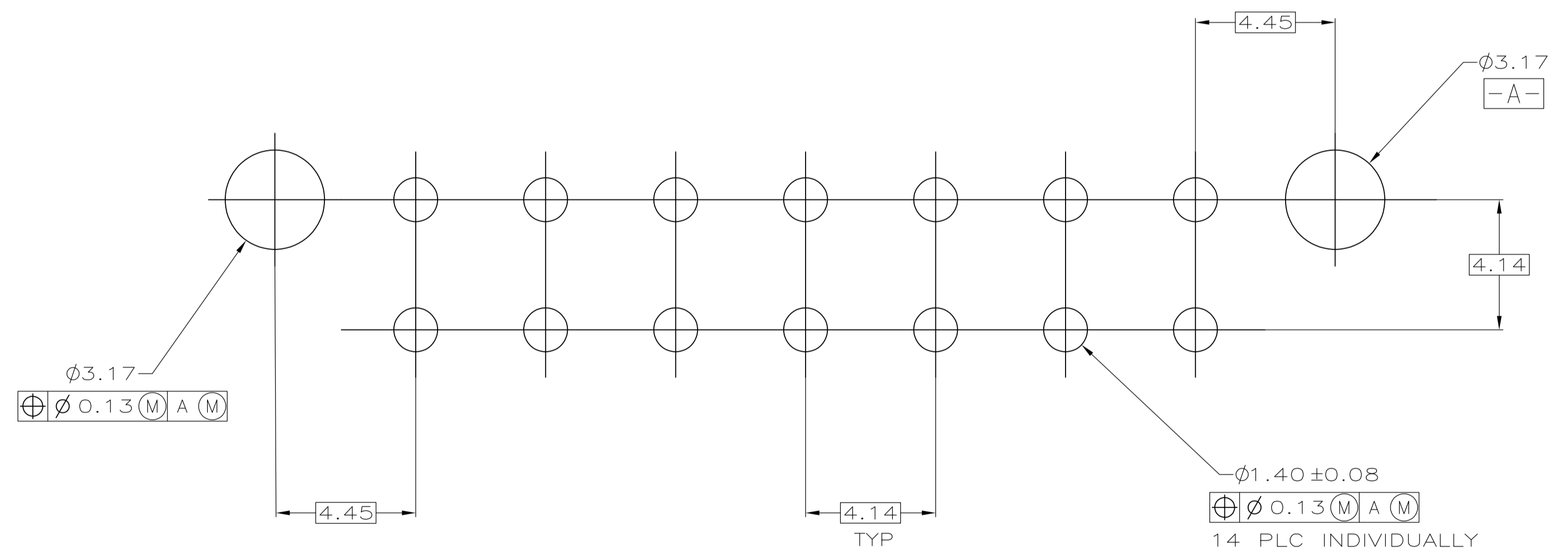
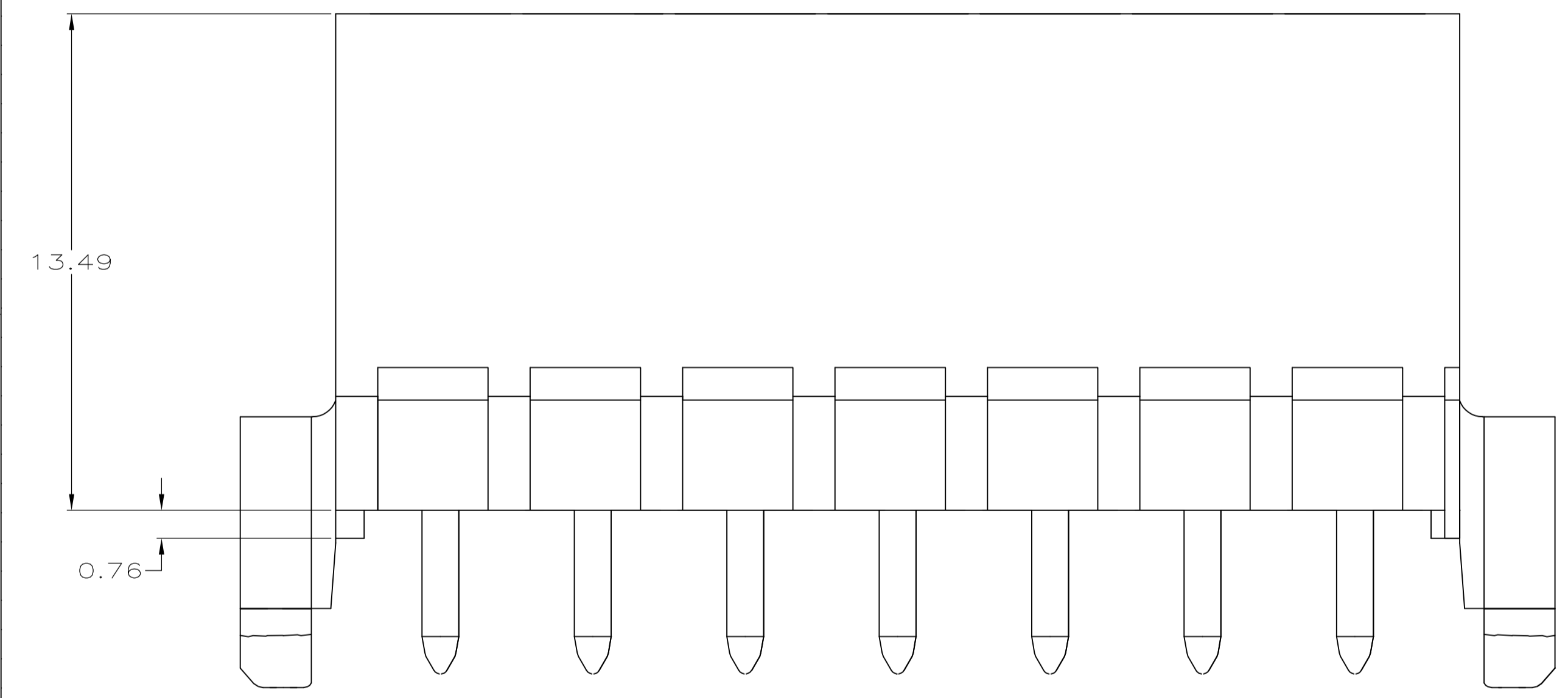


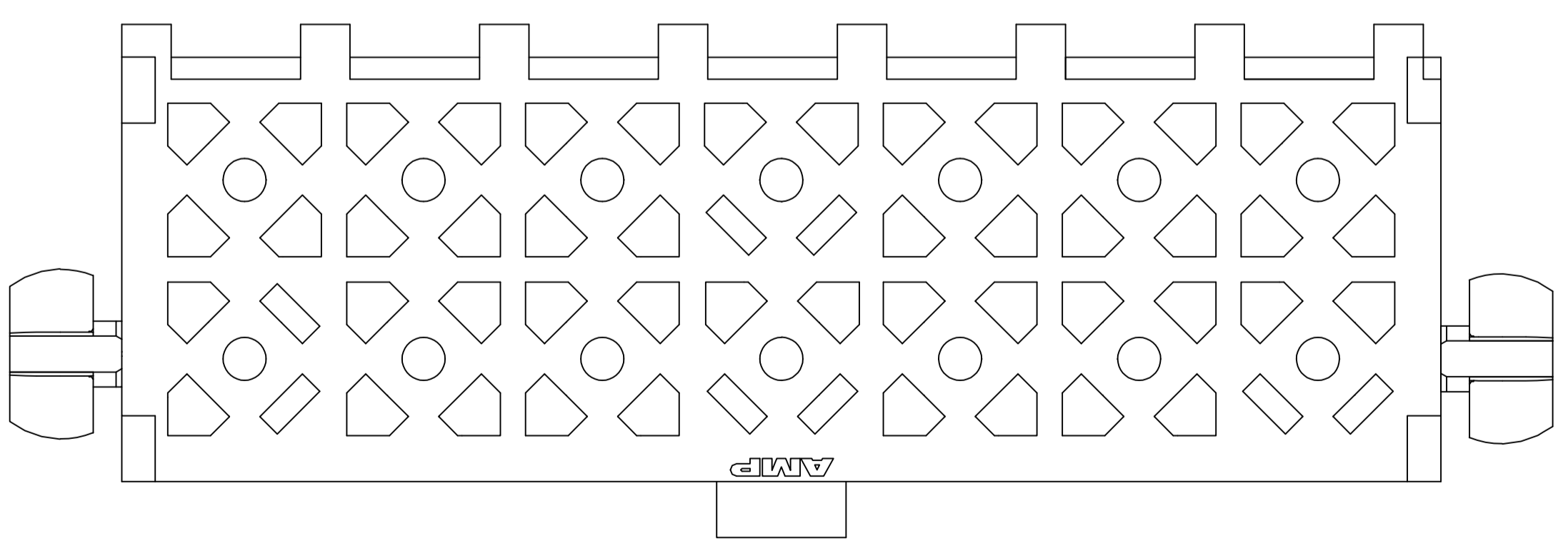
LOC		DIST		REVISIONS			
F	LTR	DESCRIPTION	DATE	DWN	APVD		
F		REVISED PER ECR-15-010337	23JUL2015	RK	SC		



- PINS TO COMPLY WITH AMP SOLDERABILITY SPEC. 109-11-3.
- 0.00381 MIN MATTE TIN LEAD OVER 0.00127 MIN NICKEL.
- 0.00076 MIN GOLD PLATE IN THE LOCALIZED PLATE AREA, 0.00381 MATTE TIN LEAD IN THE LOCALIZED PLATE AREA, BOTH OVER 0.00127 MIN NICKEL.
- 0.00381 MIN MATTE TIN OVER 0.00127 MIN NICKEL.
- 0.00076 MIN GOLD PLATE IN THE LOCALIZED PLATE AREA, 0.00381 MATTE TIN LEAD IN THE LOCALIZED PLATE AREA, BOTH OVER 0.00127 MIN NICKEL.



RECOMMENDED MOUNTING HOLE PATTERN FOR 1.57 THICK P.C. BOARD



MATERIAL AND FINISH	HOUSING MATERIAL AND COLOR	PART NUMBER
BRASS, GOLD	NYLON, 94V-0, WHITE	1-794067-1
BRASS, TIN	NYLON, 94V-0, WHITE	1-794067-0
BRASS, GOLD	NYLON, 94V-0, WHITE	794067-2
BRASS, TIN LEAD	NYLON, 94V-0, WHITE	794067-1

THIS DRAWING IS A CONTROLLED DOCUMENT.		DIN S CARPENTER 09JUN05		TE Connectivity	
DIMENSIONS: mm		CHK R JONES 12AUG2003		NAME	
TOLERANCES UNLESS OTHERWISE SPECIFIED:		APVD R JONES 12AUG2003		PRODUCT SPEC	
0. PLC ± -		APPLICATION SPEC		SIZE	
1. PLC ± -		WEIGHT		SCALE	
2. PLC ± 0.13		CUSTOMER DRAWING		SHEET	
3. PLC ± -		SCALE 8:1		REV	
4. PLC ± -		SHEET 1 OF 1		REV F	
ANGLES ± -		DRAWING NO. A100779C=794067		RESTRICTED TO	

# Mouser Electronics

Authorized Distributor

Click to View Pricing, Inventory, Delivery & Lifecycle Information:

[TE Connectivity:](#)

[1-794067-0](#)