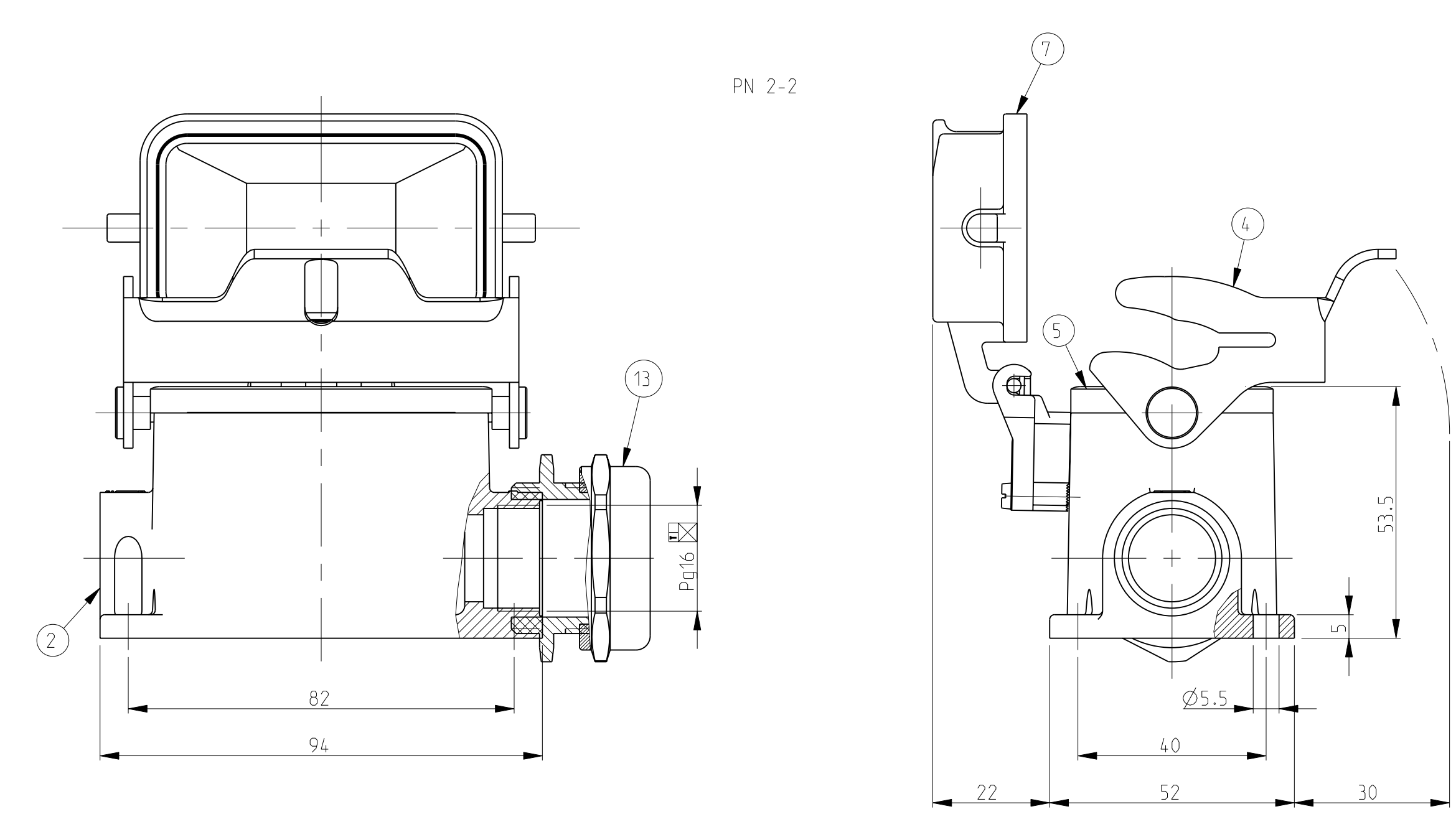
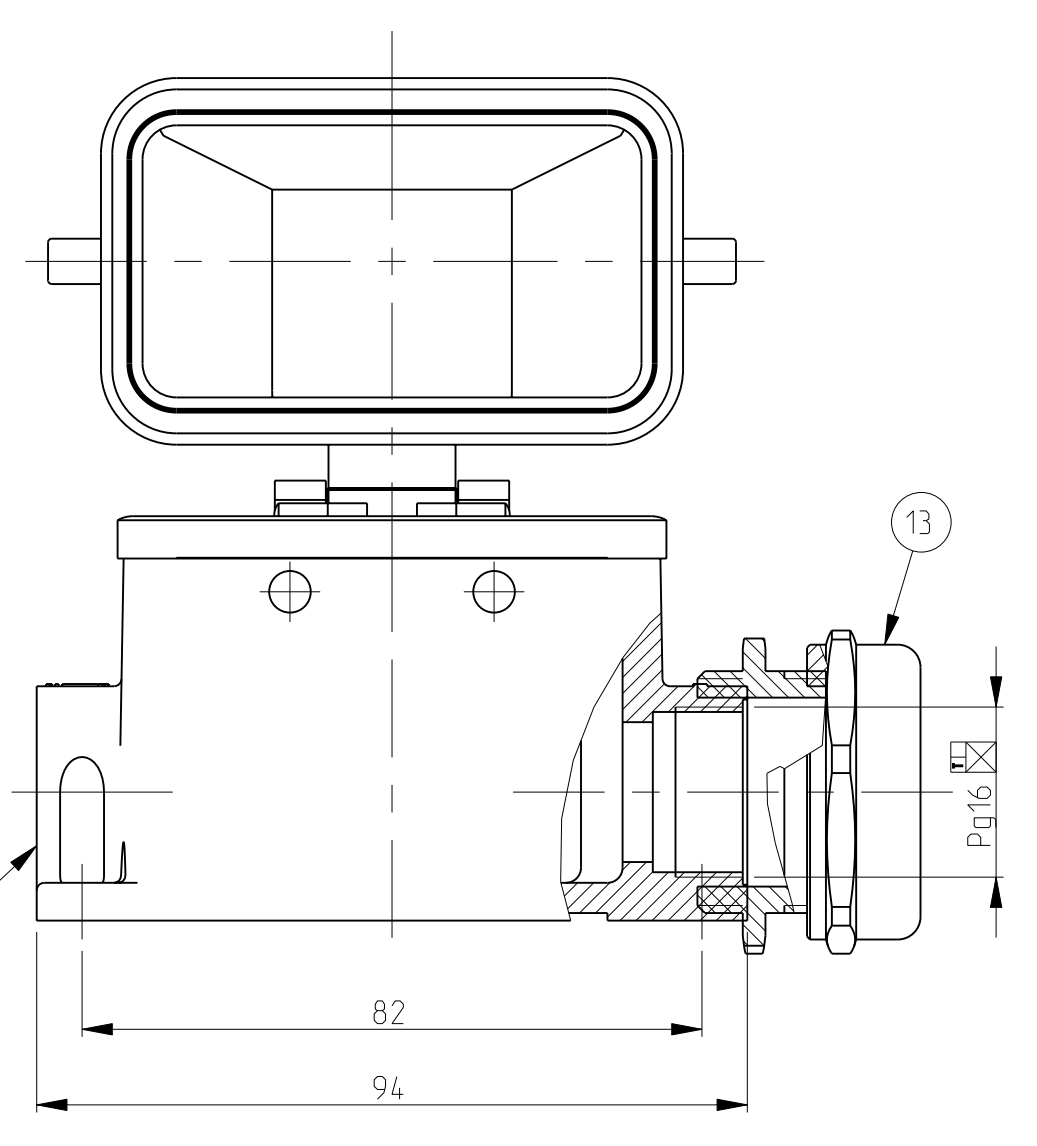


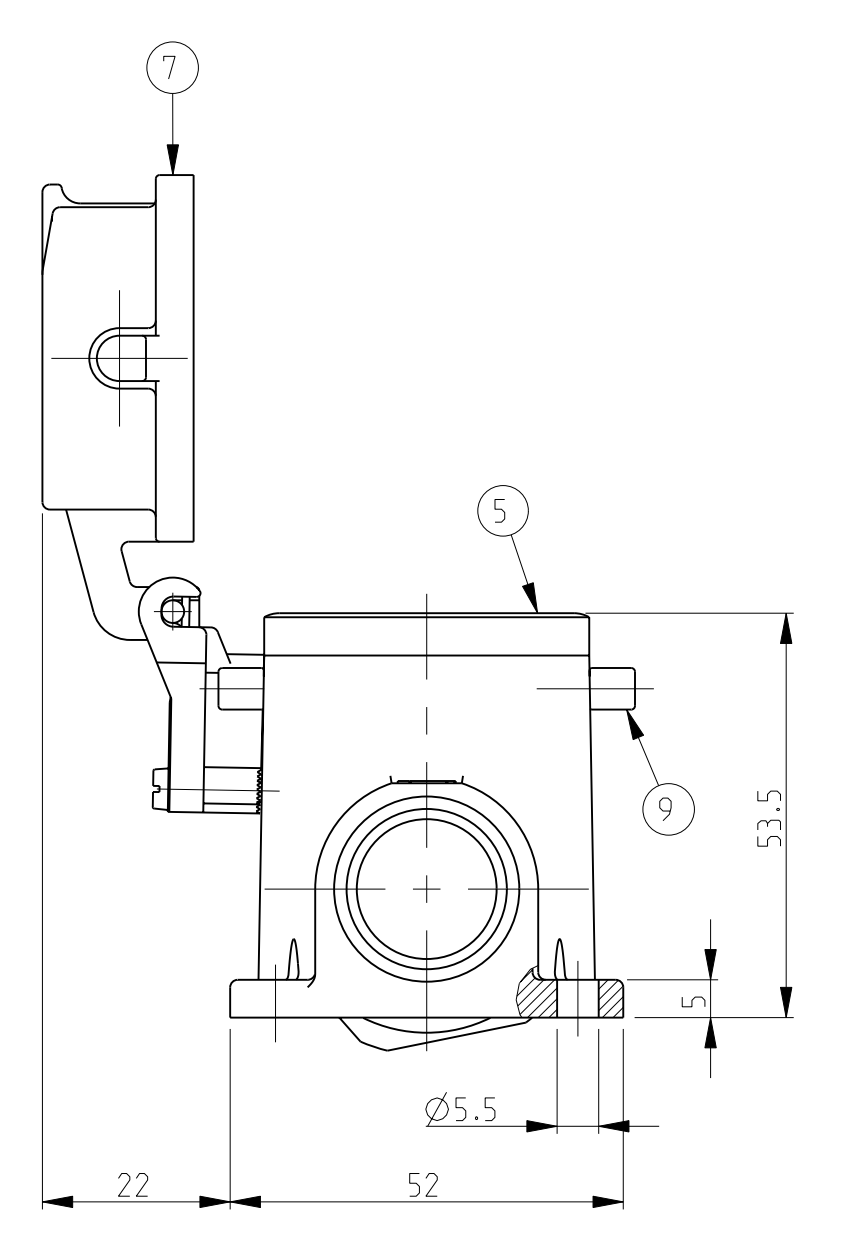
PN 1-6



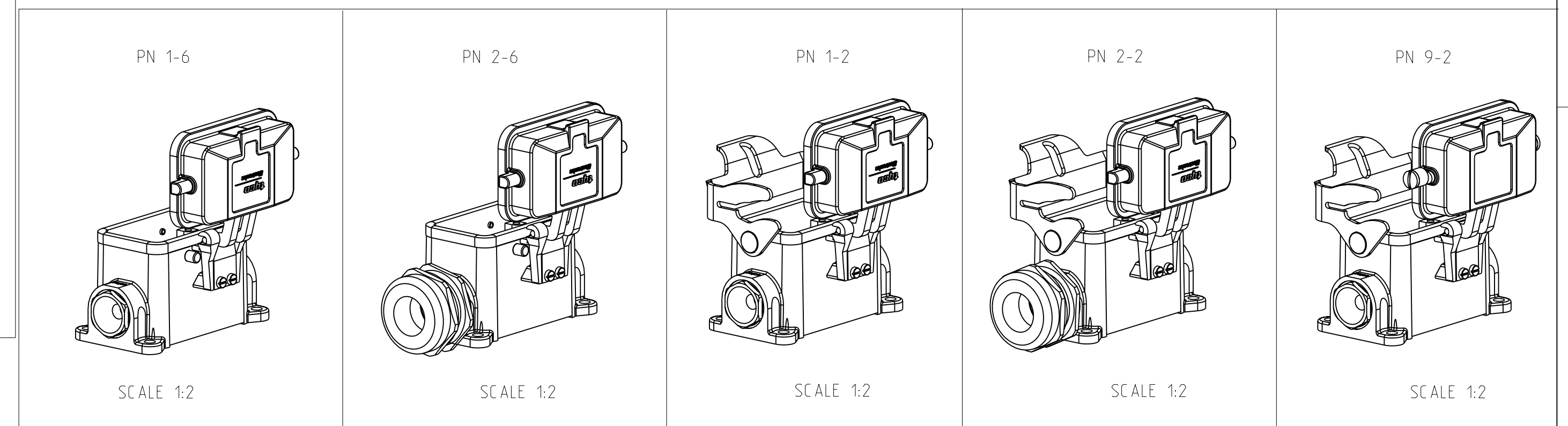
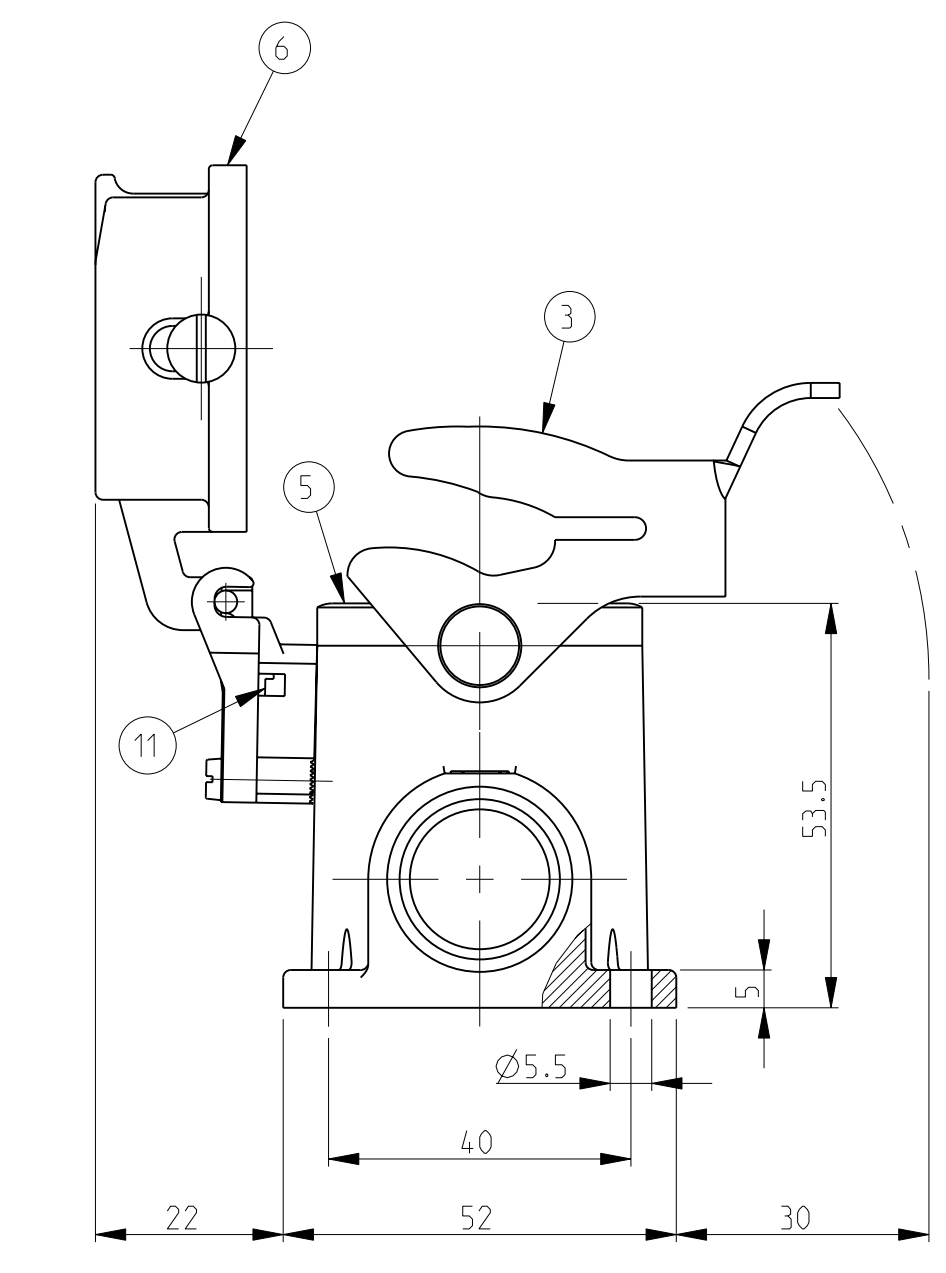
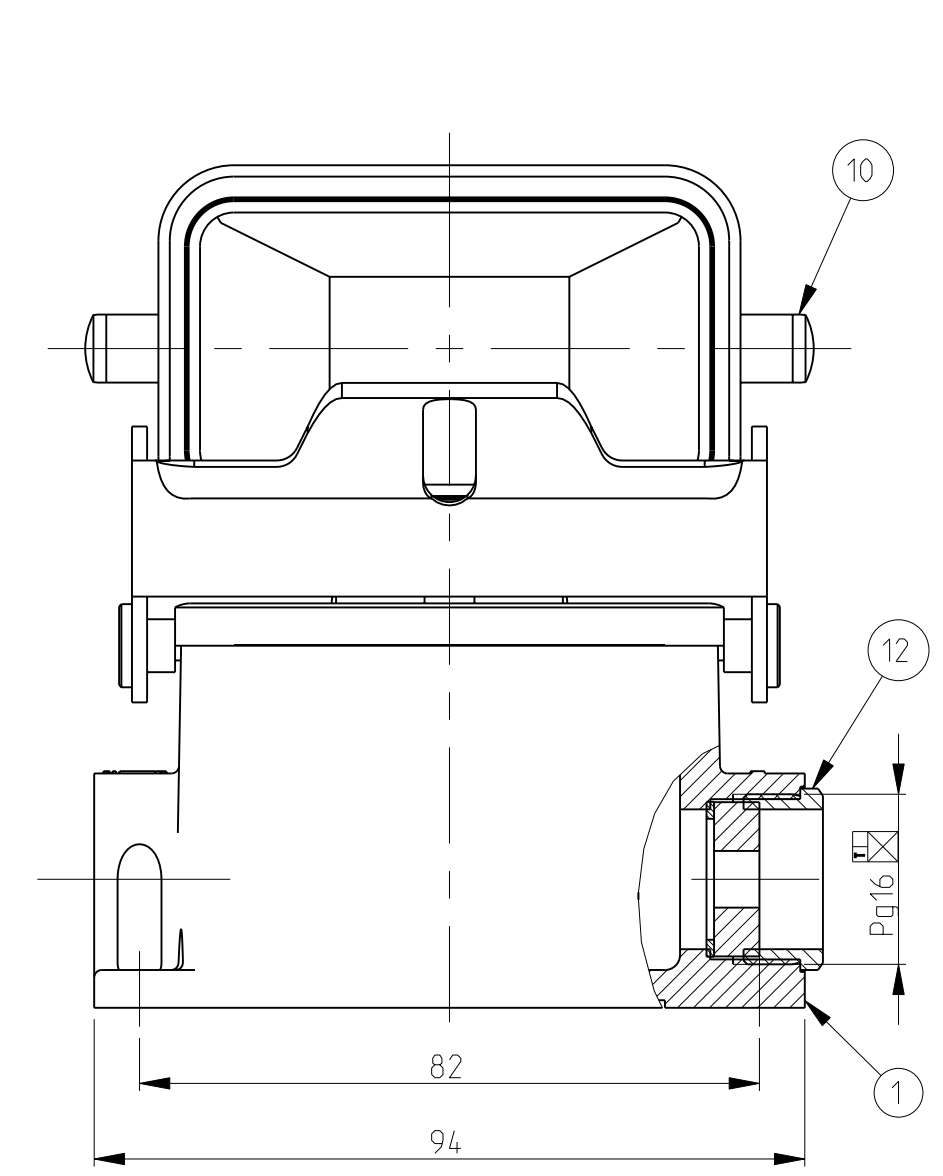
PN 2-2



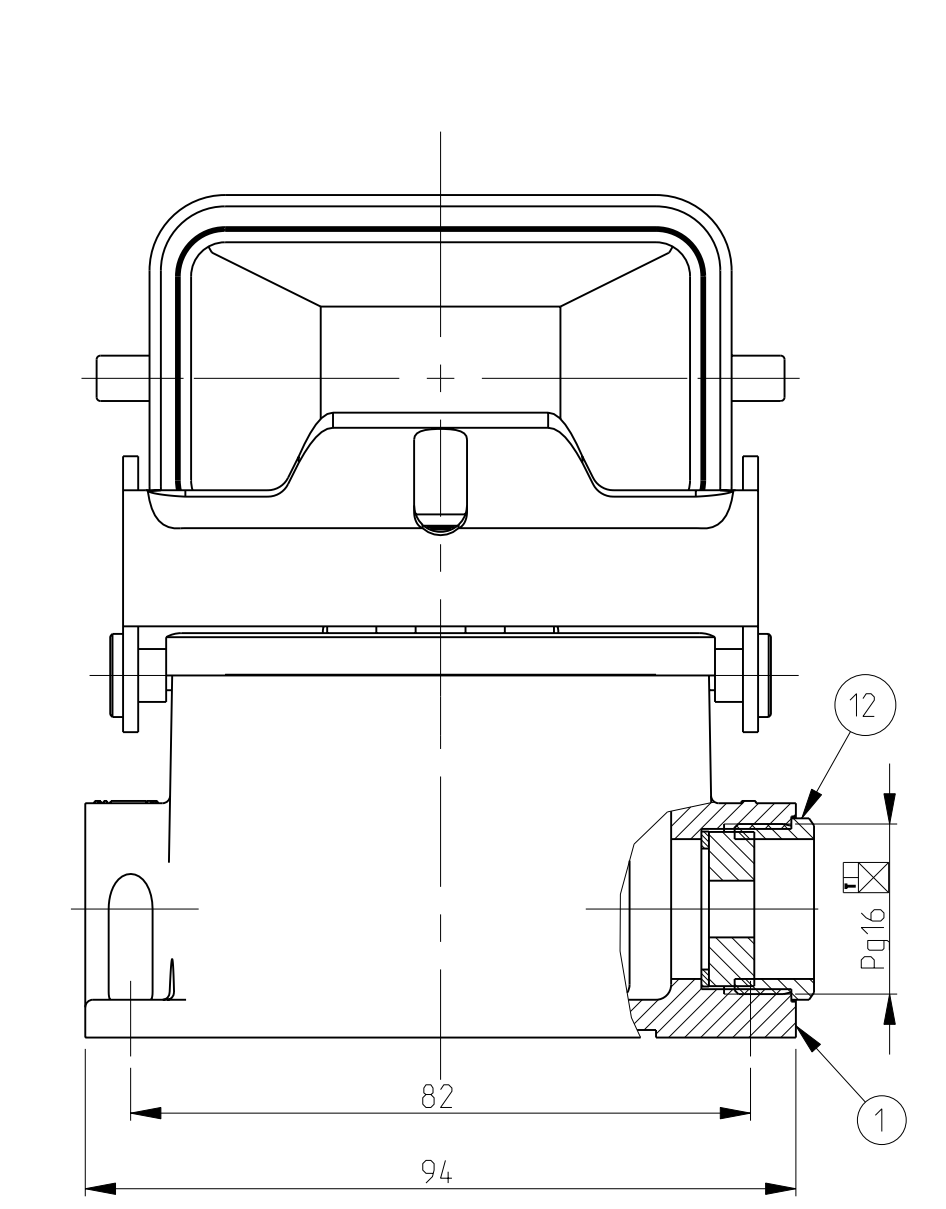
PN 2-6



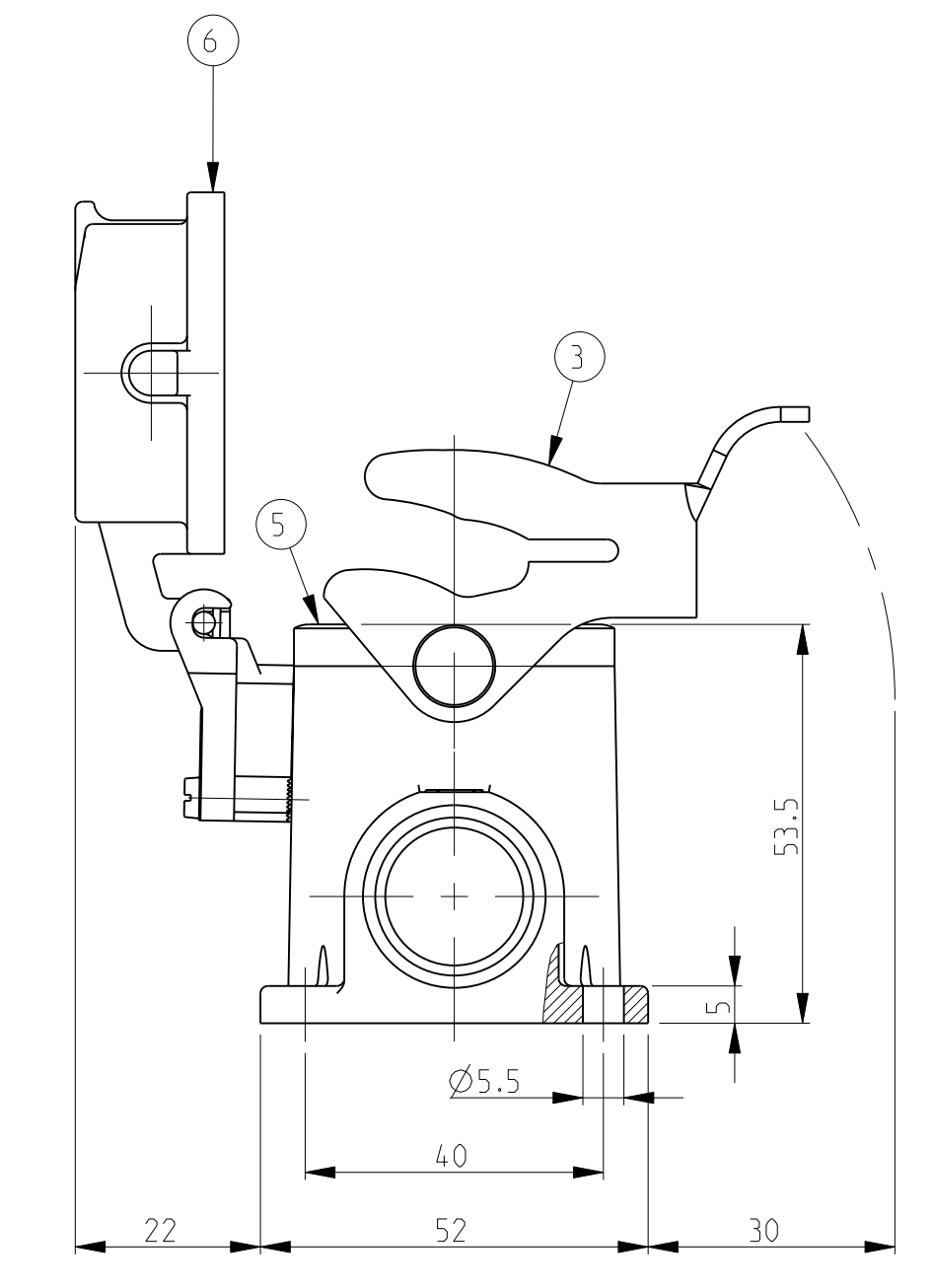
PN 9-2



- NOTES.
- 1 Material:Housing:Aluminium Diecasting Alloy
Seals:Neoprene
 - 2 Surface:Varnish grey
-Aluminium Oxide -Varnish Black
-Grey
 - 3 Varnish on the inside not necessary
 - 4 Packaging
Quantity 5 Pieces in a box



PN 1-2



QTY	DESCRIPTION	MATERIAL	SURFACE	COLOR	TEMP	NOTES
1	Huf-Gland fitting round	Brass	Nickel plated	Blue	13	Pg16
1	DS-Cable fitting round	Brass	Nickel plated	Blue	12	Pg16
1	Cylinder screw M4x8	Steel	Zinc plated	Blue	11	
2	LB-Clip bolt	Steel	Zinc plated	Blue	10	
	4 VS-Clip bolt	Stainless steel	Blank	Blue	9	
	4 VS-Clip bolt	Steel	Zinc plated	Blue	8	
1	1 Cover HB-K	Aluminium	Aluminium oxide	Black	7	
1	1 Cover HB	Aluminium		Grey	6	
1	1 Profile seal	Neoprene		Black	5	
1	1 LB-Side clip	Stainless steel	Blank	Blue	4	
1	1 LB-Side clip	Steel	Zinc plated	Blue	3	
1	1 Surface mounted housing side entry HB-K	Aluminium	Aluminium oxide	Black	2	
1	1 Surface mounted housing side entry HB	Aluminium		Grey	1	
9-2-2-2	1-2-2-6	1-6				
ORDERING TEXT						
HB-10.SGD-1.16						
HB-K-10.SGD-1.16						
HB-10.SGD-LB-1.16						
HB-K-10.SGD-LB-1.16						
HB-10.SGD-LB-1.16						
DIMENSIONS: mm						
DRAWN: [Signature]						
CHECKED: [Signature]						
DATE: 30.04.03						
BY: [Signature]						
DATE: 30.04.03						
APP'D: [Signature]						
DATE: 30.04.03						
PRODUCT SPEC: [Signature]						
APPLICATION SPEC: [Signature]						
MATERIAL: [Signature]						
FINISH: [Signature]						
CUSTOMER DRAWING						
SCALE: 1:1						
SHEET: 1 OF 1						
REV: A2						

Mouser Electronics

Authorized Distributor

Click to View Pricing, Inventory, Delivery & Lifecycle Information:

[TE Connectivity:](#)

[9-1102285-2](#)