

4

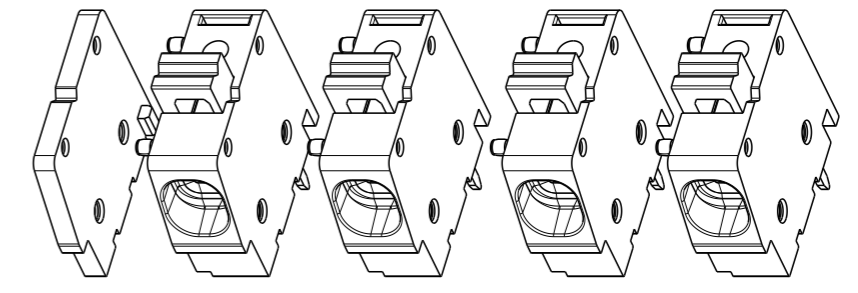
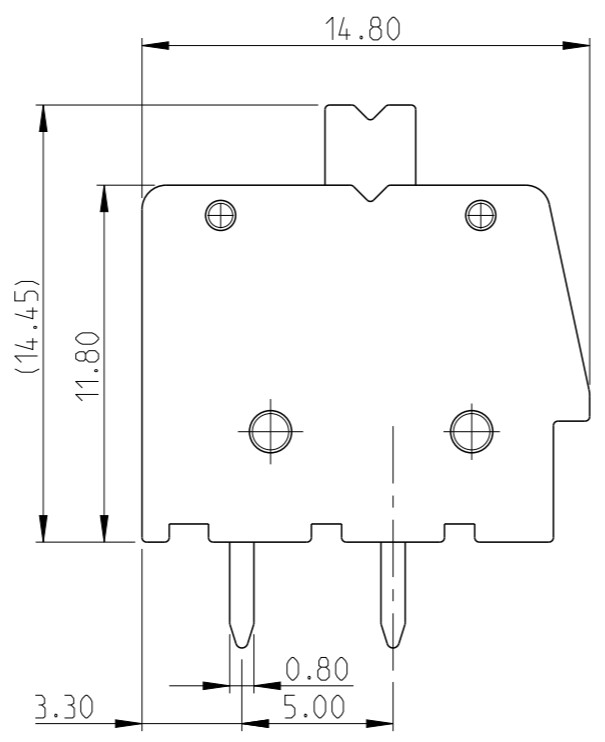
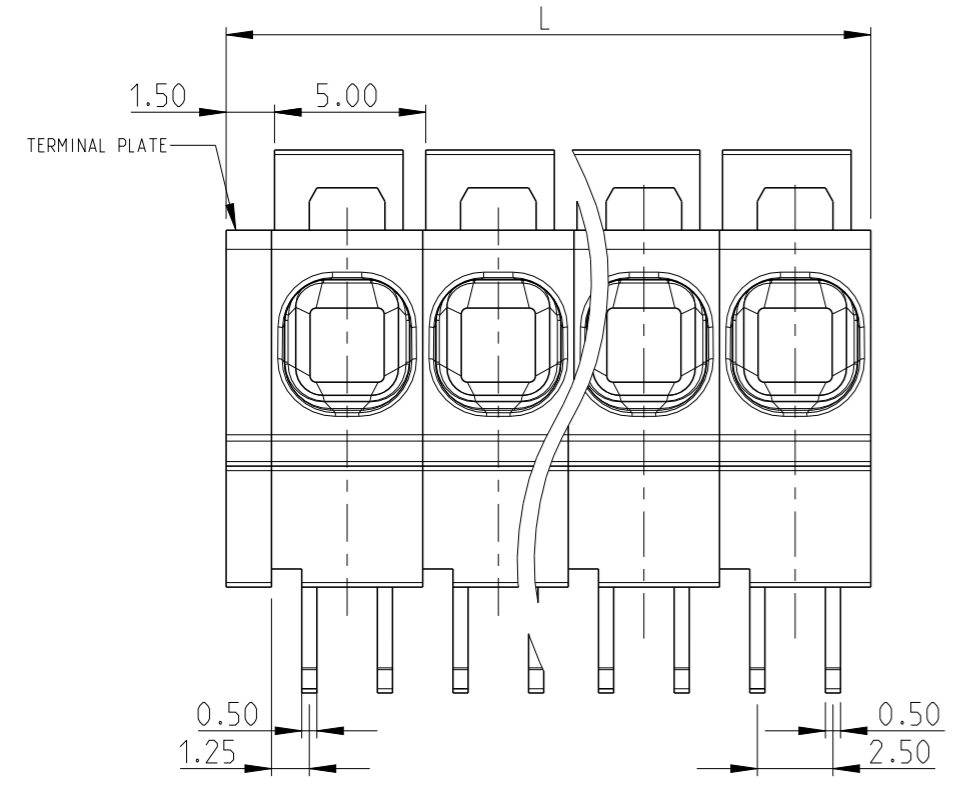
3

2

1

THIS DRAWING IS UNPUBLISHED. RELEASED FOR PUBLICATION 2011
 © COPYRIGHT 2011 ALL RIGHTS RESERVED.

LOC	DIST	REVISIONS				
P	LTR	DESCRIPTION	DATE	DWN	APVD	
FT	0	B1 HOUSNG MATERIAL DETAIL ADDED	05DEC2014	PS	JK	



SCALE 2:1
-4 AS SHOWN

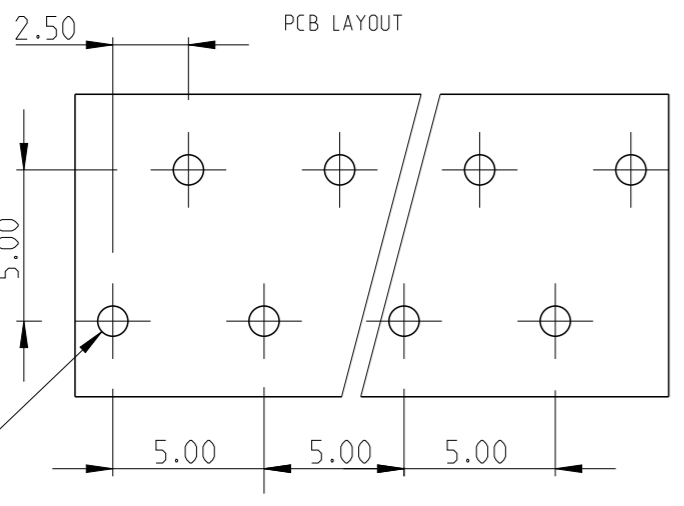
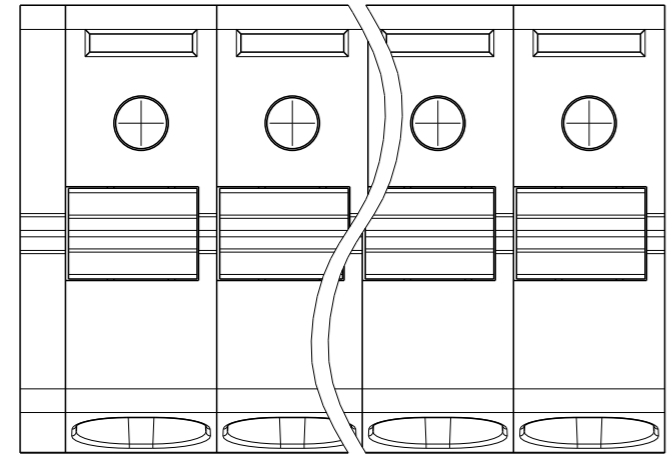
1 SEE FIG			
46.50	9	2-1986711-6	
126.50	25	2-1986711-5	
121.50	24	2-1986711-4	
116.50	23	2-1986711-3	
111.50	22	2-1986711-2	
106.50	21	2-1986711-1	
101.50	20	2-1986711-0	
96.50	19	1-1986711-9	
91.50	18	1-1986711-8	
86.50	17	1-1986711-7	
81.50	16	1-1986711-6	
76.50	15	1-1986711-5	
71.50	14	1-1986711-4	
66.50	13	1-1986711-3	
61.50	12	1-1986711-2	
56.50	11	1-1986711-1	
51.50	10	1-1986711-0	
46.50	9	1986711-9	
41.50	8	1986711-8	
36.50	7	1986711-7	
31.50	6	1986711-6	
26.50	5	1986711-5	
21.50	4	1986711-4	
16.50	3	1986711-3	
11.50	2	1986711-2	
"L"	POLE	PART NO	

PRELIMINARY PART

MATERIALS:
 HOUSING - PA66-UL94 V0, COLOR - GREEN
 CLAMPING SPRING - STEEL
 PIN - COPPER ALLOY - TIN PLATED

MECHANICAL
 PCB THICKNESS - 2.40 MAX
 PCB HOLE DIAMETER - 1.20 MIN
 STRIP LENGTH - 10-11 MM
 OPERATING TEMPERATURE - -40 °C TO +110 °C

ELECTRICAL
 WIRE RANGE- 30 TO 12 AWG
 VOLTAGE RATING- 300 VOLTS
 CURRENT RATING-16 AMP
 CONTACT RESISTANCE-15 MILLOHM MAX
 INSULATION RESISTANCE-10⁹ OHMS MIN (500V DC)



THIS DRAWING IS A CONTROLLED DOCUMENT.		DWN 08AUG2011 RAGHAVENDRA	 TE Connectivity	NAME SPRING TYPE, SIDE WIRE ENTRY TERMINAL BLOCK SIDE STACKABLE STRAIGHT 02 - 25 POLES PITCH 5.00mm
DIMENSIONS: mm		CHK 08AUG2011 SARVER MICHAEL		
TOLERANCES UNLESS OTHERWISE SPECIFIED:		APVD 08AUG2011 SARVER MICHAEL		
0 PLC ± 1 PLC ±0.5 2 PLC ±0.25 3 PLC ± 4 PLC ± ANGLES ±1° FINISH		PRODUCT SPEC -		
MATERIAL SEE NOTES	SEE NOTES	WEIGHT -	APPLICATION SPEC -	RESTRICTED TO -
CUSTOMER DRAWING			SIZE A3	CAGE CODE 00779
			DRAWING NO C-1986711	SCALE 4:1
			SHEET 1 OF 2	REV B1

THIS DRAWING IS UNPUBLISHED.

RELEASED FOR PUBLICATION

2011

© COPYRIGHT 2011

ALL RIGHTS RESERVED.

LOC

DIST

REVISIONS

FT

0

P

LTR

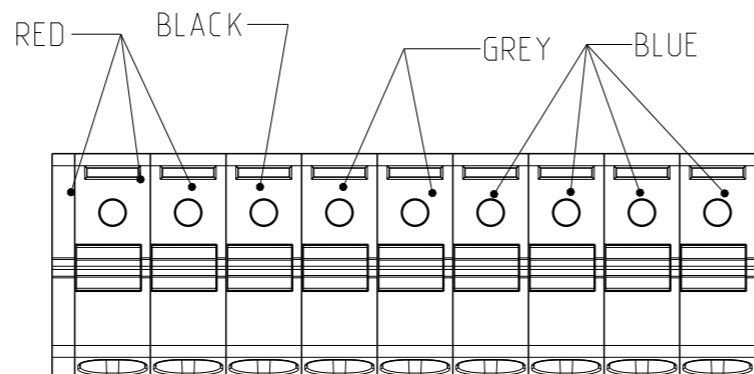
DESCRIPTION

DATE

DWN

APVD

SEE SHEET 1



2-1986711-6

THIS DRAWING IS A CONTROLLED DOCUMENT.

DWN 08AUG2011 RAGHAVENDRA

CHK 08AUG2011 SARVER MICHAEL

APVD 08AUG2011 SARVER MICHAEL

PRODUCT SPEC

APPLICATION SPEC

WEIGHT

CUSTOMER DRAWING



TE Connectivity

NAME

SPRING TYPE. SIDE WIRE ENTRY
TERMINAL BLOCK SIDE STACKABLE
STRAIGHT 02 - 25 POLES PITCH 5.00mm

SIZE

CAGE CODE

DRAWING NO

RESTRICTED TO

A3

00779

C=1986711

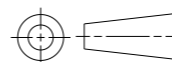
SCALE 4:1

SHEET 2 OF 2

REV B1

DIMENSIONS:

mm



TOLERANCES UNLESS OTHERWISE SPECIFIED:

- 0 PLC ±
- 1 PLC ±0.5
- 2 PLC ±0.25
- 3 PLC ±
- 4 PLC ±
- ANGLES ±1°
- FINISH -

MATERIAL

-

FINISH

-

Mouser Electronics

Authorized Distributor

Click to View Pricing, Inventory, Delivery & Lifecycle Information:

[TE Connectivity:](#)

[1986711-4](#)