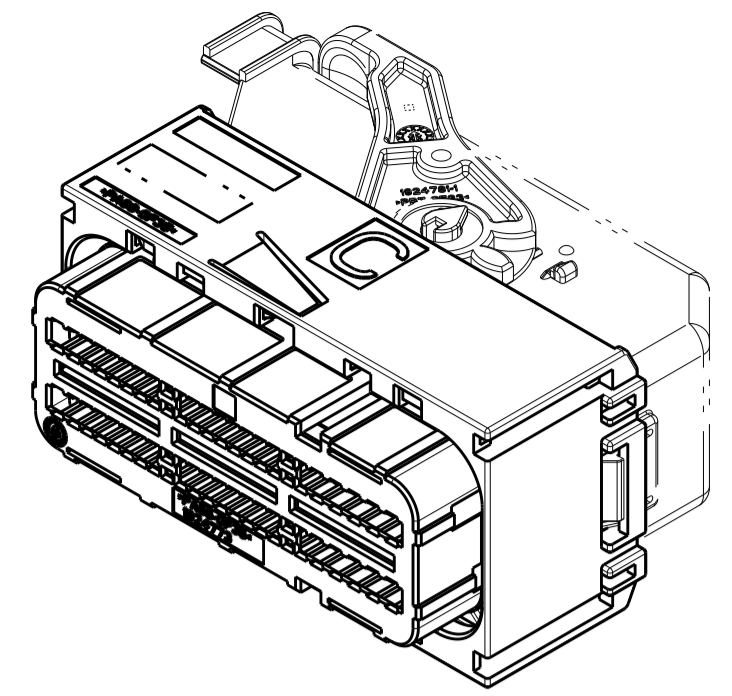
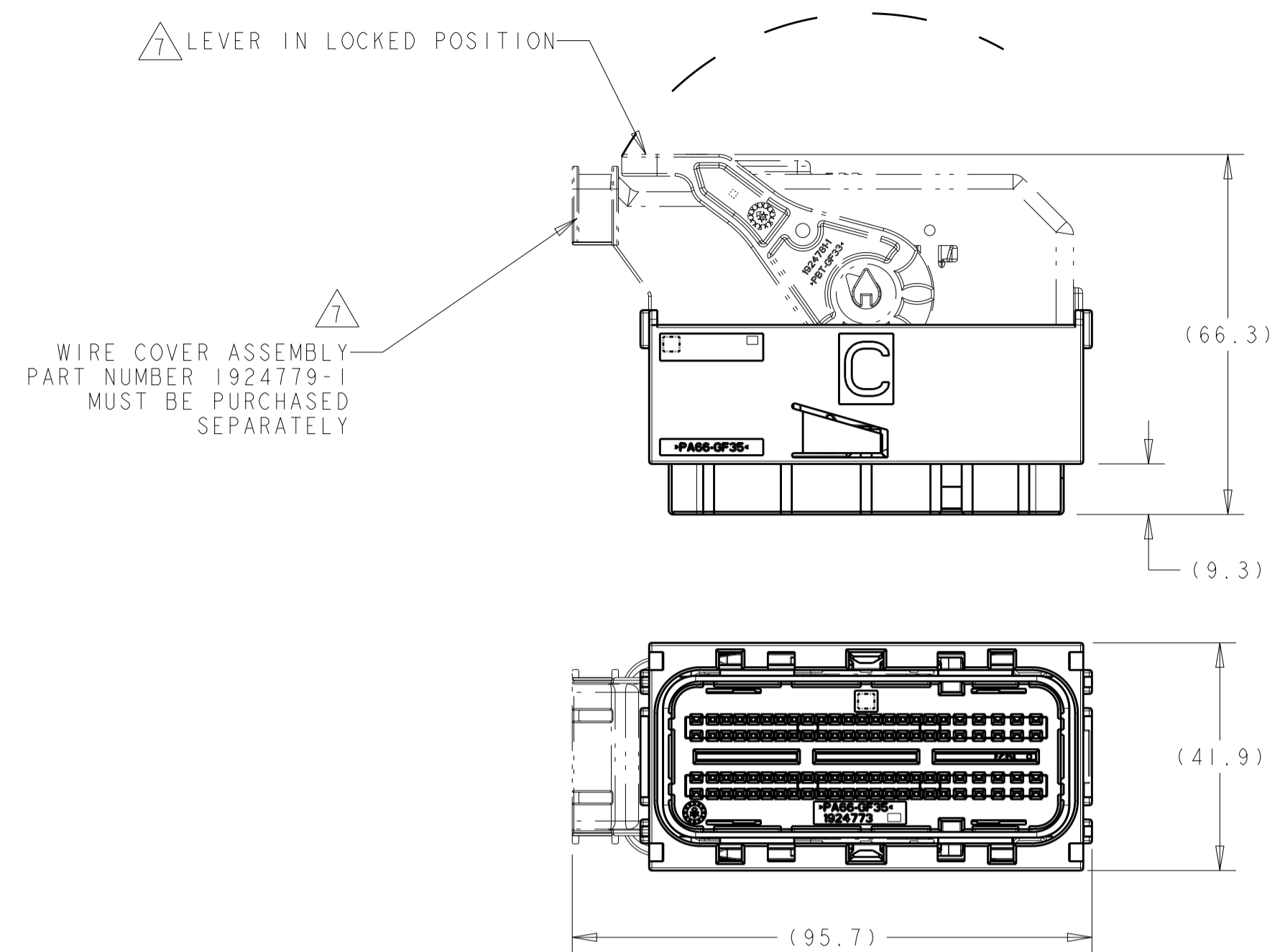
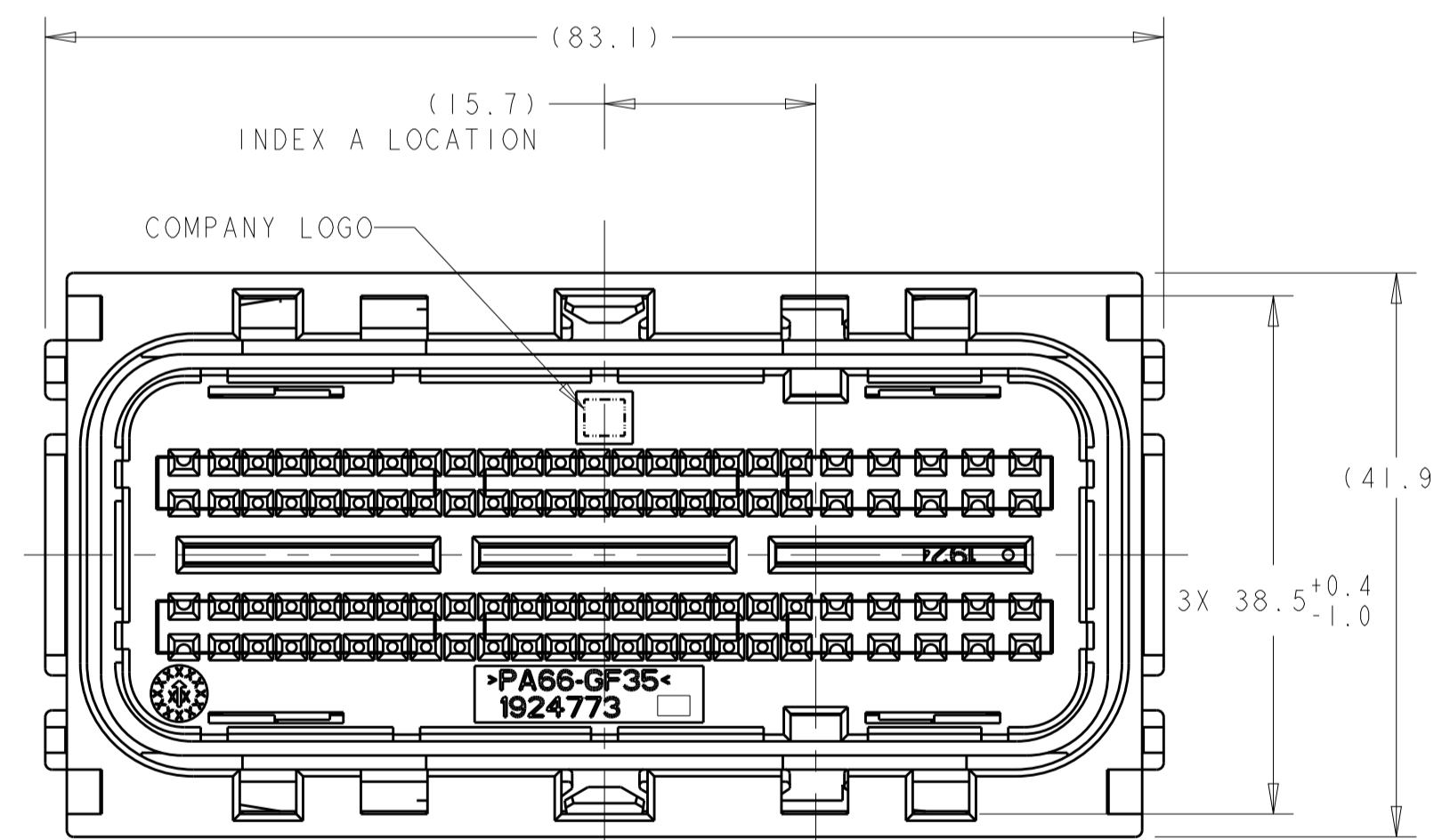
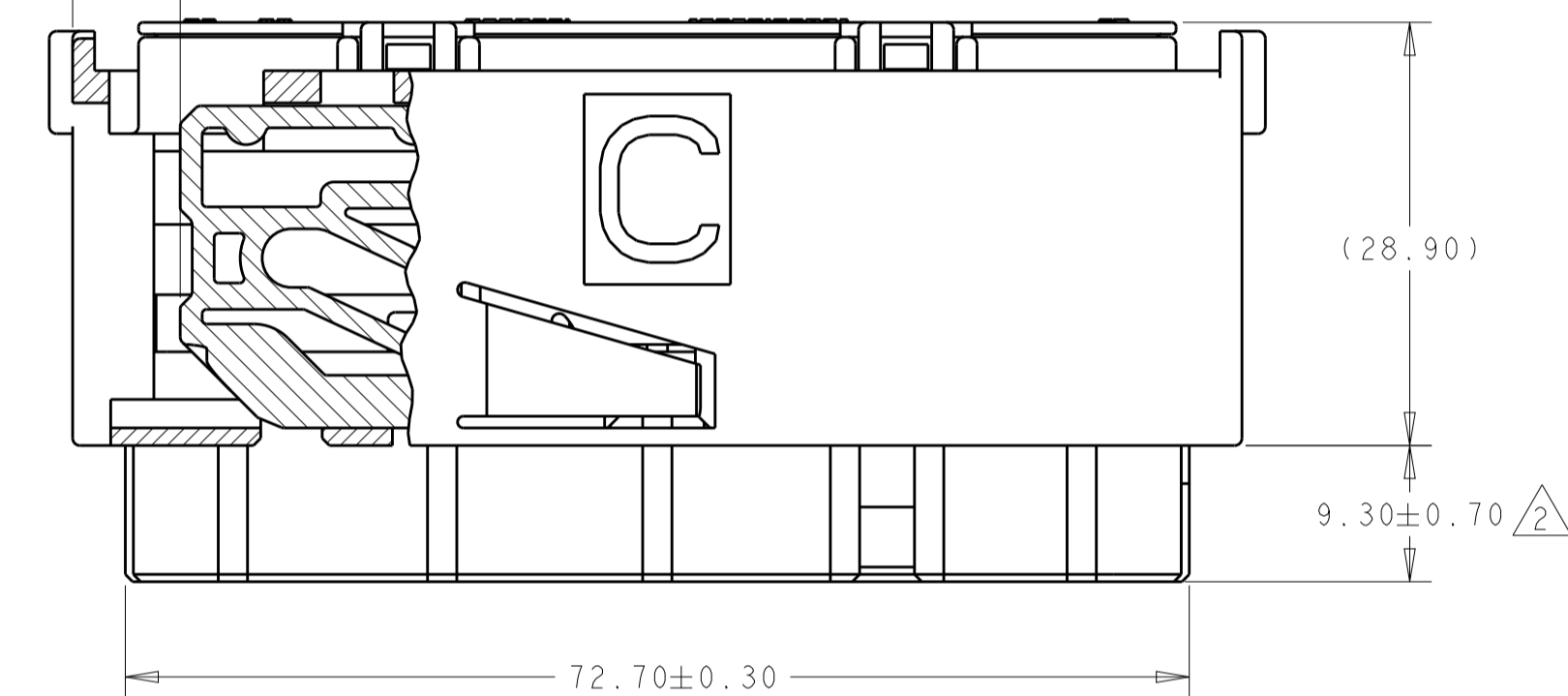
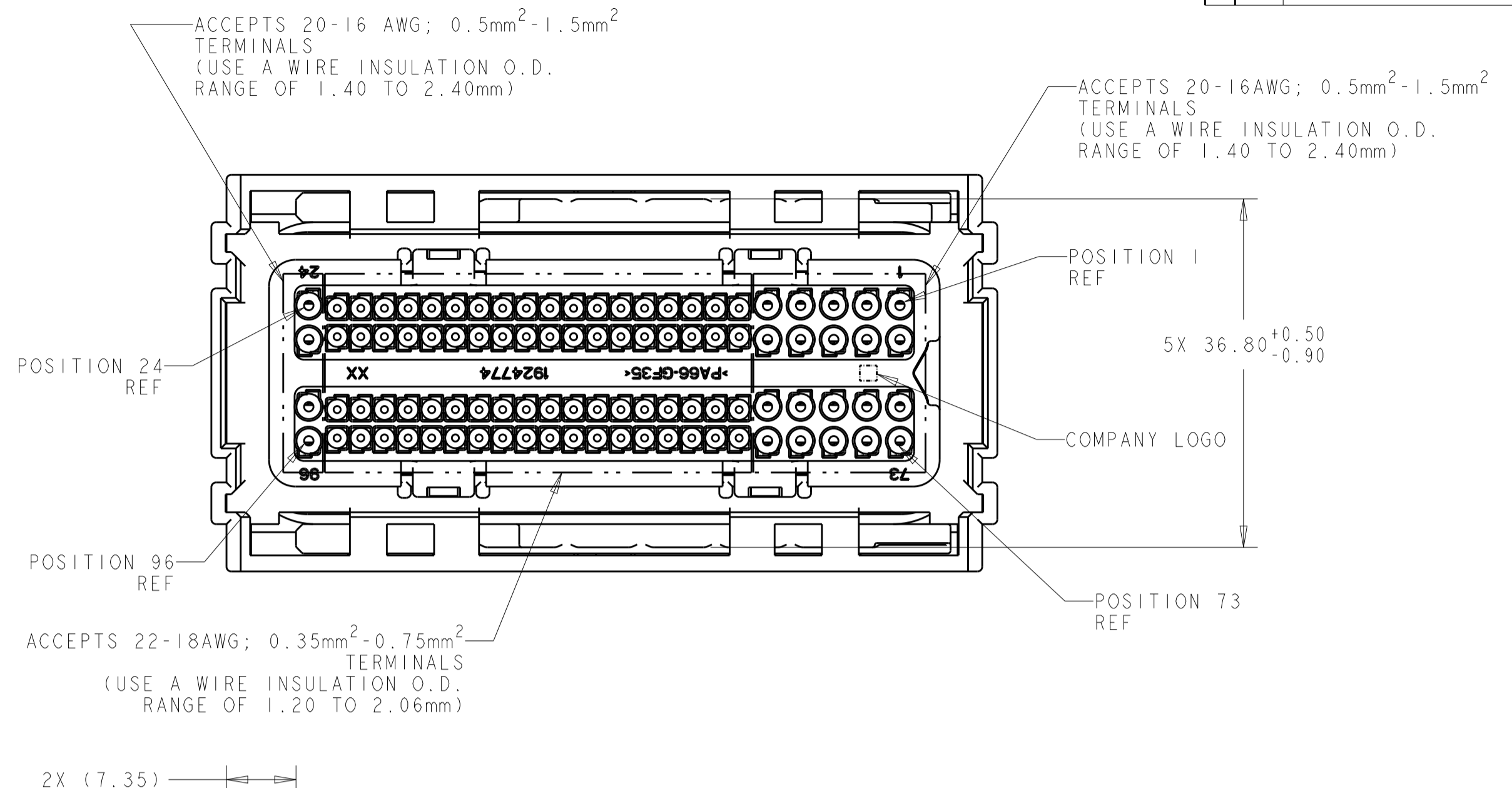


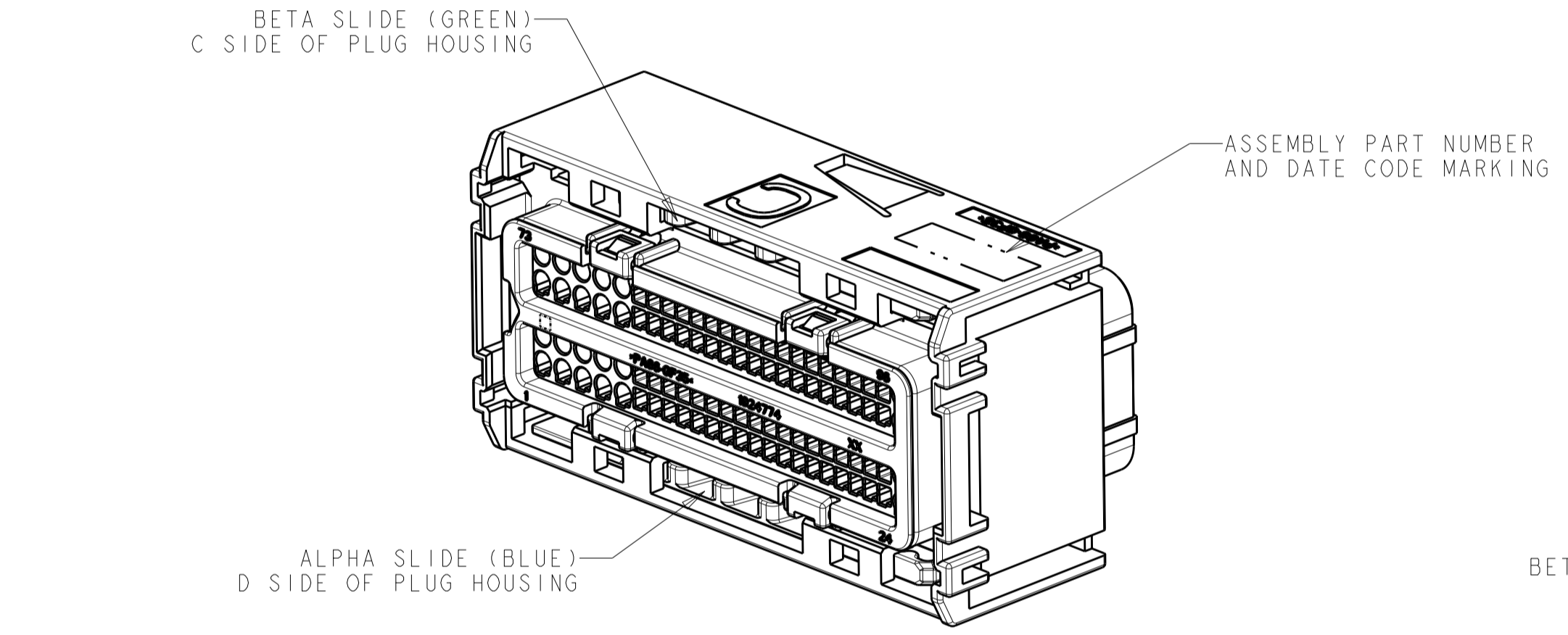
REVISIONS				
P.	LTN	DESCRIPTION	DATE	OWN APVD
C1		REVISED PER ECO-17-007961	01JUN2017	DD GK
C2		REVISED PER ECO-18-002347	14FEB2018	KP GK
C3		REVISED PER ECO-18-005108	03APR2018	JMS GK
C4		REVISED PER ECO-19-009349	21JUN2019	JMS HC



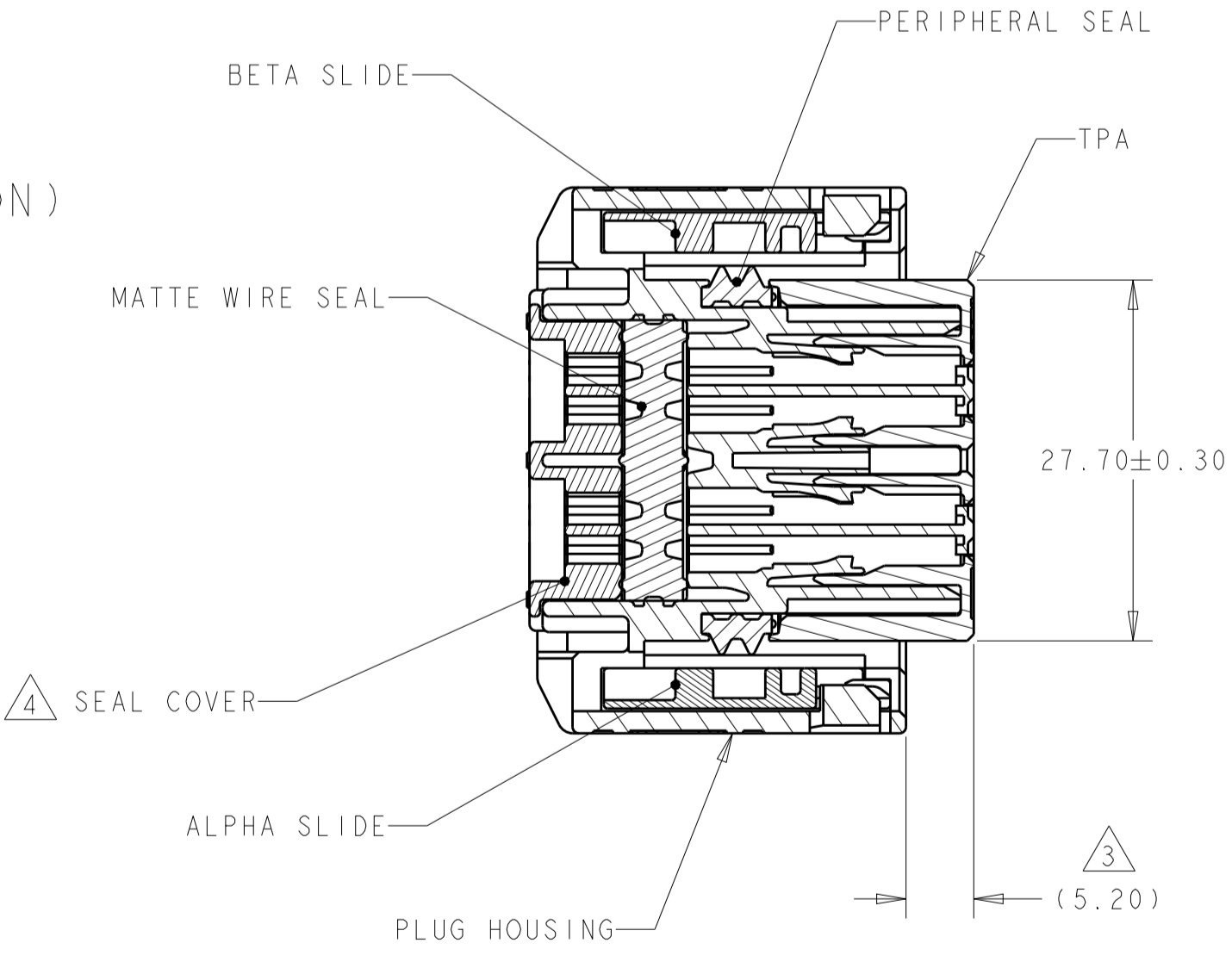
LEFT EXIT PLUG ASSEMBLY SHOWN WITH OPTIONAL WIRE COVER ASSEMBLY (MUST BE PURCHASED SEPARATELY) SCALE 1:1



ALL CLOSED	GRAY	A	9-1924940-9
SEE TABLE, SH 2	GRAY	A	2-1924940-5
SEE TABLE, SH 2	GRAY	A	2-1924940-4
SEE TABLE, SH 2	GRAY	A	2-1924940-3
SEE TABLE, SH 2	GRAY	A	2-1924940-2
SEE TABLE, SH 2	GRAY	A	2-1924940-1
SEE TABLE, SH 2	GRAY	A	2-1924940-0
SEE TABLE, SH 2	GRAY	A	1-1924940-9
SEE TABLE, SH 2	GRAY	A	1-1924940-8
SEE TABLE, SH 2	GRAY	A	1-1924940-7
SEE TABLE, SH 2	GRAY	A	1-1924940-6
SEE TABLE, SH 2	GRAY	A	1-1924940-5
SEE TABLE, SH 2	GRAY	A	1-1924940-4
SEE TABLE, SH 2	GRAY	A	1-1924940-3
SEE TABLE, SH 2	GRAY	A	1-1924940-2
SEE TABLE, SH 2	GRAY	A	1-1924940-1
SEE TABLE, SH 2	GRAY	A	1-1924940-0
SEE TABLE, SH 2	GRAY	A	1924940-9
SEE TABLE, SH 2	GRAY	A	1924940-8
SEE TABLE, SH 2	GRAY	A	1924940-7
SEE TABLE, SH 2	GRAY	A	1924940-6
SEE TABLE, SH 2	GRAY	A	1924940-5
SEE TABLE, SH 2	GRAY	A	1924940-4
SEE TABLE, SH 2	GRAY	A	1924940-3
SEE TABLE, SH 2	GRAY	A	1924940-2
SEE TABLE, SH 2	GRAY	A	1924940-1
SEE TABLE, SH 2	GRAY	A	1924940-0
SEE TABLE, SH 2	GRAY	A	1924940-9
SEE TABLE, SH 2	GRAY	A	1924940-8
SEE TABLE, SH 2	GRAY	A	1924940-7
SEE TABLE, SH 2	GRAY	A	1924940-6
SEE TABLE, SH 2	GRAY	A	1924940-5
SEE TABLE, SH 2	GRAY	A	1924940-4
SEE TABLE, SH 2	GRAY	A	1924940-3
SEE TABLE, SH 2	GRAY	A	1924940-2
SEE TABLE, SH 2	GRAY	A	1924940-1
SEE TABLE, SH 2	GRAY	A	1924940-0
ALL OPEN	GRAY	A	1924940-1
BLOCKED CIRCUITS	TPA COLOR	INDEX REF	PART NUMBER



(METHOD FOR IDENTIFYING EXIT ORIENTATION)



- 1. PLUG HOUSING AND SEAL COVER: NYLON 6/6, BLACK.  
 TPA: NYLON 6/6, COLOR - SEE TABLE.  
 MATTE WIRE SEAL: SILICONE, LIGHT BLUE.  
 PERIPHERAL SEAL: SILICONE, GREEN.  
 ALPHA SLIDE: NYLON 6/6, BLUE.  
 BETA SLIDE: NYLON 6/6, GREEN.
- 2. TPA SHOWN IN PRE-LATCHED, AS SHIPPED, POSITION.
- 3. TPA SHOWN IN CLOSED POSITION.
- 4. SEE TABLE ON SHEET 2 FOR SEAL COVER PIN OUT CONFIGURATION.
- 5. PLUG ASSEMBLY MATES WITH TE CONNECTIVITY INTERFACE DRAWING 1924771\_INT, POLARIZATION A.
- 6. PLUG ASSEMBLY WILL ACCEPT THE FOLLOWING GET TERMINAL PART NUMBERS:
  - 1393364-1 (GOLD 22AWG; 0.35mm<sup>2</sup>)
  - 1393365-1 (GOLD 18-20AWG; 0.75mm<sup>2</sup>-0.5mm<sup>2</sup>)
  - 1924878-1 (TIN/SILVER 22AWG; 0.35mm<sup>2</sup>)
  - 1924879-1 (TIN/SILVER 18-20AWG; 0.75mm<sup>2</sup>-0.5mm<sup>2</sup>)
  - 1924782-1 (TIN/SILVER 1.0mm<sup>2</sup>)
  - 1924880-1 (TIN/SILVER 16AWG; 1.5mm<sup>2</sup>)

- 7. WIRE DRESS ASSEMBLY MUST BE INSTALLED ONTO PLUG ASSEMBLY WITH LEVER IN LOCKED POSITION.
- 8. APPLICATION SPEC'S: 408-10229, 408-10230
- 9. NOTE DELETED.
- 10. FORCE TO SEAT TPA COMPONENT FROM PRE-SET TO LOCKED (FULLY LOADED W/ TERMINALS) TO BE 83N MAX.
- 11. FORCE TO MOVE TPA FROM FULLY LOCKED TO PRE-SET TO BE 115N MAX. FLAT BLADE SCREWDRIVER SUGGESTED FOR REMOVAL OF TPA.

THIS DRAWING IS A CONTROLLED DOCUMENT.

OWN: D. J. HARDY 29NOV2007  
 CHK: A. J. VASBINDER 03DEC2007  
 APVD: A. J. VASBINDER 03DEC2007

DIMENSIONS: mm

TOLERANCES UNLESS OTHERWISE SPECIFIED:  
 0 PLC ±  
 1 PLC ±0.25  
 2 PLC ±  
 3 PLC ±  
 4 PLC ±  
 ANGLES ±

MATERIAL: FINISH:

WEIGHT:

CUSTOMER DRAWING

NAME: PLUG ASSEMBLY, 96 POSITION, INDEX A - LEFT EXIT, SEALED, GPEC 11

SIZE: A1 100779 C=1924940

RESTRICTED TO:

SCALE: 2:1 SHEET 1 OF 2 REV C4

