

4

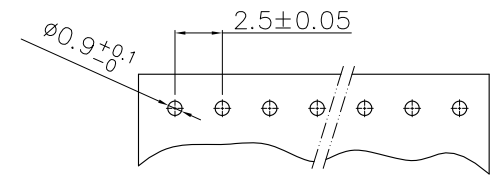
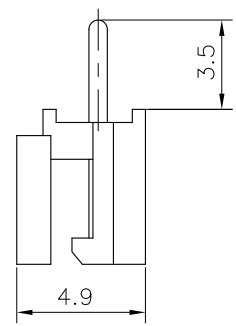
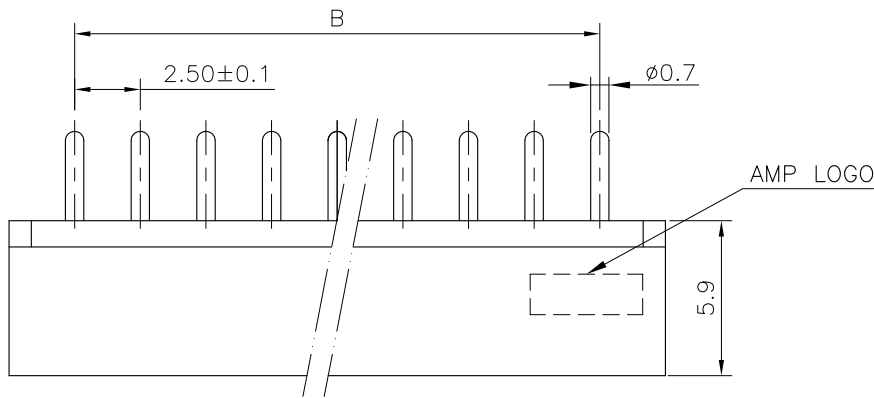
3

2

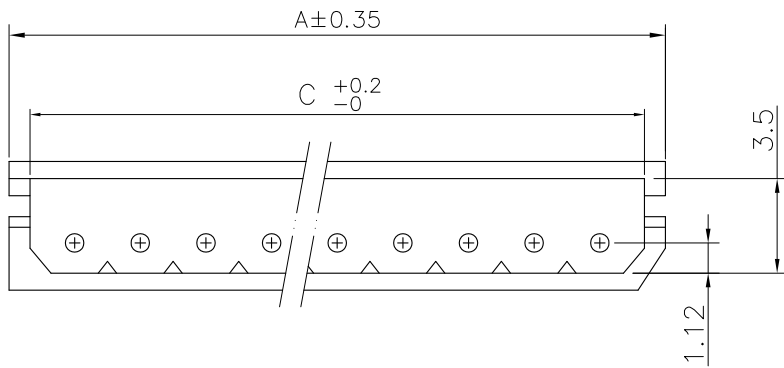
1

THIS DRAWING IS UNPUBLISHED. RELEASED FOR PUBLICATION  
 © COPYRIGHT BY TYCO ELECTRONICS CORPORATION. ALL RIGHTS RESERVED.

LOC	DIST	REVISIONS			
P	LTR	DESCRIPTION	DATE	DWN	APVD
DW	-	E	REVISED (ECR-13-000755)	18JAN13	JL WK



RECOMMENDED PCB LAYOUT (THICKNESS: 1.6MM)  
 (TOP VIEW) (TOLERANCE: ±0.05)



HSG. COLOR	C	B	A	POS.	PART NUMBER
	35.9	32.50 ±0.20	37.5	14	3-1470224-4
	33.4	30.00 ±0.20	35.0	13	3-1470224-3
	30.9	27.50 ±0.20	32.5	12	3-1470224-2
	28.4	25.00 ±0.20	30.0	11	3-1470224-1
	25.9	22.50 ±0.15	27.5	10	3-1470224-0
	23.4	20.00 ±0.15	25.0	9	2-1470224-9
	20.9	17.50 ±0.15	22.5	8	2-1470224-8
	18.4	15.00 ±0.15	20.0	7	2-1470224-7
	15.9	12.50 ±0.10	17.5	6	2-1470224-6
	13.4	10.00 ±0.10	15.0	5	2-1470224-5
	10.9	7.50 ±0.10	12.5	4	2-1470224-4
	8.4	5.00 ±0.10	10.0	3	2-1470224-3
	5.9	2.50 ±0.10	7.5	2	2-1470224-2
	38.4	35.00 ±0.20	40.0	15	1-1470224-5
	35.9	32.50 ±0.20	37.5	14	1-1470224-4
	33.4	30.00 ±0.20	35.0	13	1-1470224-3
	30.9	27.50 ±0.20	32.5	12	1-1470224-2
	28.4	25.00 ±0.20	30.0	11	1-1470224-1
	25.9	22.50 ±0.15	27.5	10	1-1470224-0
	23.4	20.00 ±0.15	25.0	9	0-1470224-9
	20.9	17.50 ±0.15	22.5	8	0-1470224-8
	18.4	15.00 ±0.15	20.0	7	0-1470224-7
	15.9	12.50 ±0.10	17.5	6	0-1470224-6
	13.4	10.00 ±0.10	15.0	5	0-1470224-5
	10.9	7.50 ±0.10	12.5	4	0-1470224-4
	8.4	5.00 ±0.10	10.0	3	0-1470224-3
	5.9	2.50 ±0.10	7.5	2	0-1470224-2

OBSOLETE  
 △

BLUE

IVORY

NOTE:

- MATERIAL:  
HOUSING: PA66, UL 94V-2, COLOR: SEE TABLE.  
CONTACTS: BRASS.
- FINISH:  
CONTACTS: 1.27µm [50µ"] MIN. BRIGHT-TIN ON SOLDER TAIL, WITH ENTIRE CONTACT UNDERPLATED 0.381µm [15µ"] MIN. NICKEL.
- WAVE SOLDER CAPABLE TO 240°C PER TE CONNECTIVITY TEST SPEC. 109-202, CONDITION A.

△ OBSOLETE PARTS: OBSOLETE CIS STREAMLINING PER D.RENAUD/D.SINISI

THIS DRAWING IS A CONTROLLED DOCUMENT.

DWN O. HU	19DEC2006	 TE Connectivity	2.5mm PITCH EMIX POST HEADER, VERTICAL TYP
CHK S. HOU	19DEC2006		
APVD W.J. KE	19DEC2006		
PRODUCT SPEC	108-57175		
QUALIFICATION TEST REPORT	501-57195	NAME	
MATERIAL SEE NOTE	FINISH SEE NOTE	SIZE	A3
		CAGE CODE	00779
		DRAWING NO	C=1470224
		RESTRICTED TO	-
		SCALE	-
		SHEET	1 OF 2
		REV	E

CUSTOMER DRAWING

THIS DRAWING IS UNPUBLISHED.

RELEASED FOR PUBLICATION

---

LOC

DIST

REVISIONS

© COPYRIGHT BY TYCO ELECTRONICS CORPORATION. ALL RIGHTS RESERVED.

DW

P

LTR

DESCRIPTION

DATE

DWN

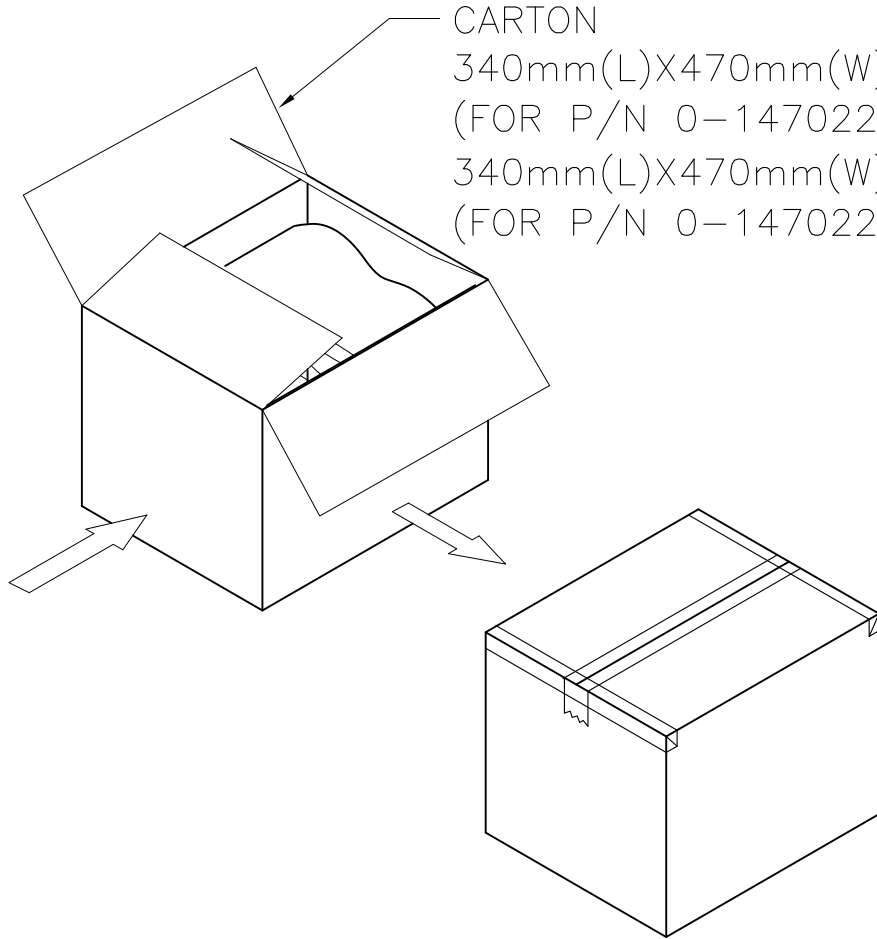
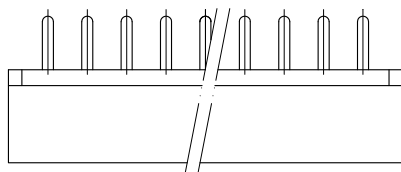
APVD

SEE SHEET 1.

POLY BAG

CARTON

340mm(L)X470mm(W)X158mm(H)  
 (FOR P/N 0-1470224-2~0-1470224-5)  
 340mm(L)X470mm(W)X316mm(H)  
 (FOR P/N 0-1470224-6~1-1470224-5)



APQ (PCS/CARTON)	PPQ (PCS/BAG)	PART NUMBER	
12,960	180	<del>3-1470224-5</del>	1-1470224-5
12,000	200	<del>3-1470224-4</del>	1-1470224-4
14,400	200	<del>3-1470224-3</del>	1-1470224-3
16,000	250	<del>3-1470224-2</del>	1-1470224-2
16,000	250	<del>3-1470224-1</del>	1-1470224-1
20,000	250	<del>3-1470224-0</del>	1-1470224-0
21,600	300	2-1470224-9	0-1470224-9
25,200	350	2-1470224-8	0-1470224-8
28,000	350	2-1470224-7	0-1470224-7
35,000	350	2-1470224-6	0-1470224-6
20,000	500	2-1470224-5	0-1470224-5
24,000	600	2-1470224-4	0-1470224-4
30,000	750	2-1470224-3	0-1470224-3
36,000	1000	2-1470224-2	0-1470224-2

THIS DRAWING IS A CONTROLLED DOCUMENT.

DWN O. HU 19DEC2006  
 CHK S. HOU 19DEC2006  
 APVD W.J. KE 19DEC2006

PRODUCT SPEC  
 APPLICATION SPEC  
 WEIGHT

NAME  
 2.5mm PITCH EMIX POST HEADER, VERTICAL TYP

SIZE A3 CAGE CODE 00779 DRAWING NO C=1470224 RESTRICTED TO

CUSTOMER DRAWING SCALE SHEET 2 OF 2 REV E

# Mouser Electronics

Authorized Distributor

Click to View Pricing, Inventory, Delivery & Lifecycle Information:

[TE Connectivity:](#)

[1470224-2](#)