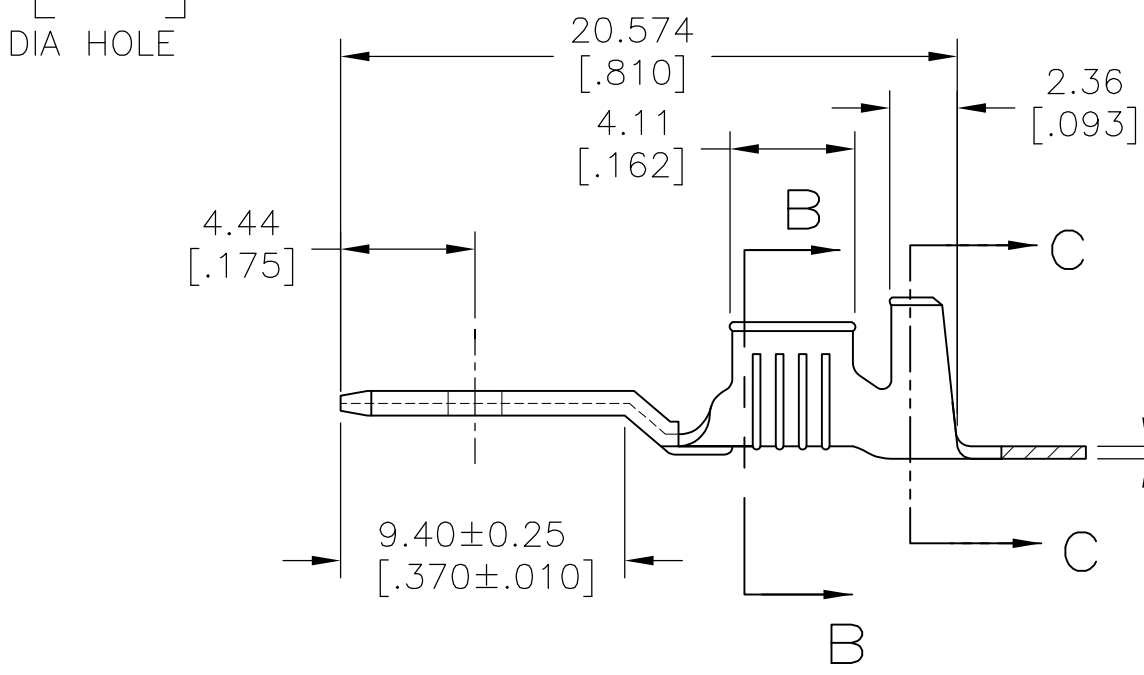
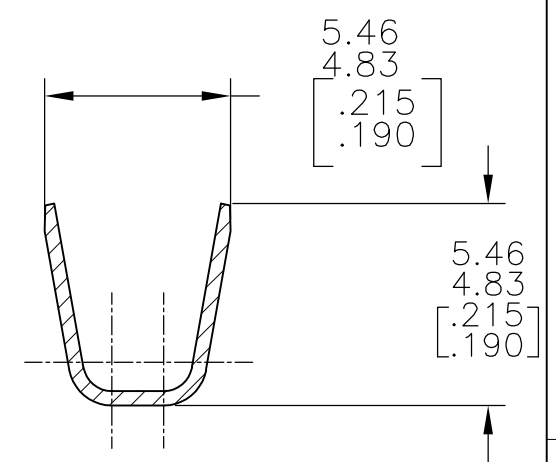
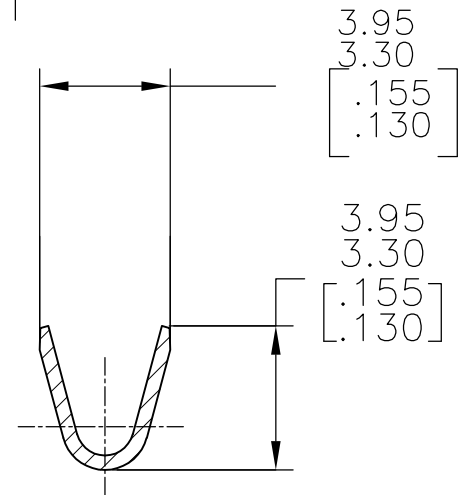
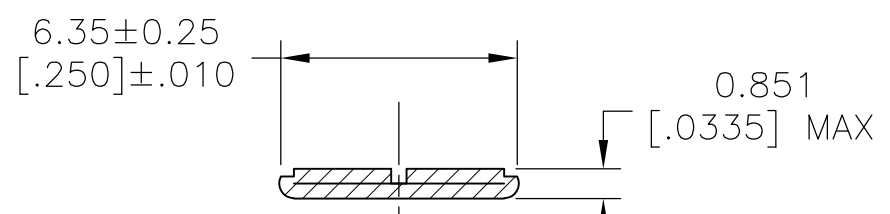
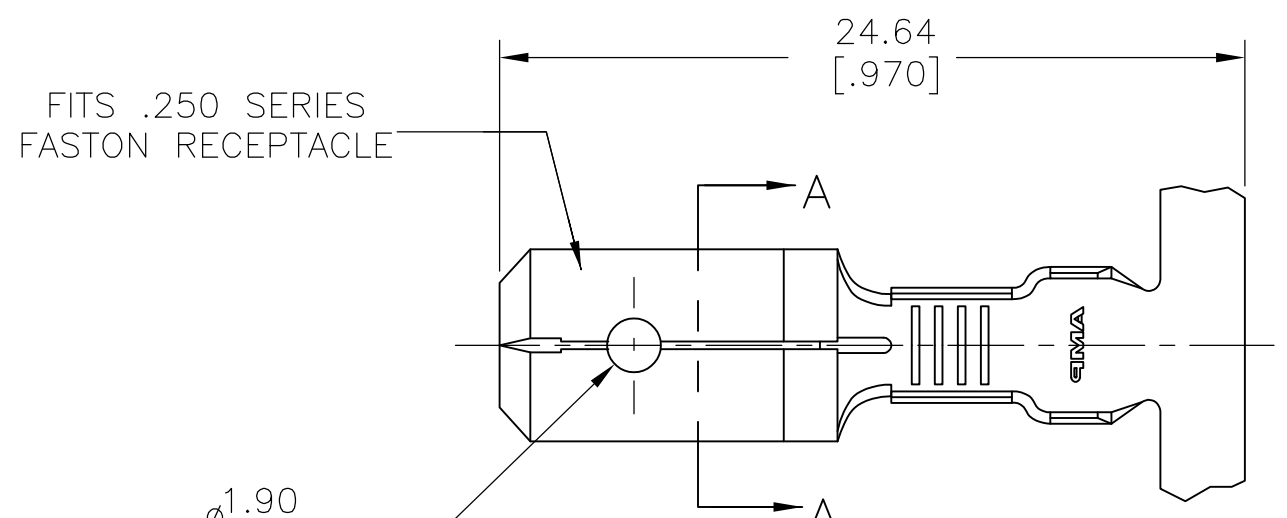


THIS DRAWING IS UNPUBLISHED. RELEASED FOR PUBLICATION
 © COPYRIGHT - By - ALL RIGHTS RESERVED.

| LOC | DIST | REVISIONS | | | | | |
|-----|------|-----------|-----|---------------------------|-----------|-----|------|
| AF | 50 | P | LTR | DESCRIPTION | DATE | DWN | APVD |
| | | | V | REVISED PER ECR-13-011489 | 06DEC2013 | KH | PD |



| | | | | | |
|--------|---|--------------------|-------------|-----------|---------|
| 6 | 4 | TIN | | | 42474-7 |
| 5 | | - | | | 42474-6 |
| 5 | | SILVER .000120 MIN | 2.794-3.81 | | 42474-5 |
| 4 | | TIN | [.110-.150] | 18-14 AWG | 42474-4 |
| 3 | | - | DIA | | 42474-3 |
| | | TIN | | | 42474-2 |
| 5 | | - | | | 42474-1 |
| FINISH | | INSULATION RANGE | | WIRE SIZE | PART NO |

- 1 CONTINUOUS STRIP ON REELS.
- 2 FEED TO BE .540#.005.
- 3 REVERSED REEL OF 42474-1.
- 4 REVERSED REEL OF 42474-2.
- 5 FOREIGN PRODUCTION ONLY.
- 6 LUBRICANT APPLIED AFTER TIN PLATING.

| | | | | | | | | | | | | | | | | |
|---|--------|--------|------------|--------------|----------------------------|-----|-------|-----|-------|--------|-------|-----|--------|-----|------|--|
| THIS DRAWING IS A CONTROLLED DOCUMENT. | | DWN | JR RUTH | 1/31/91 | STE TE Connectivity | | | | | | | | | | | |
| DIMENSIONS: mm [INCHES] | | CHK | MS FEHER | 1/31/91 | | | | | | | | | | | | |
| TOLERANCES UNLESS OTHERWISE SPECIFIED: | | APVD | C MEYERS | 1/31/91 | | | | | | | | | | | | |
| <table border="0"> <tr><td>0 PLC</td><td>± -</td></tr> <tr><td>1 PLC</td><td>± -</td></tr> <tr><td>2 PLC</td><td>± -</td></tr> <tr><td>3 PLC</td><td>± .015</td></tr> <tr><td>4 PLC</td><td>± -</td></tr> <tr><td>ANGLES</td><td>± -</td></tr> </table> | | 0 PLC | ± - | 1 PLC | | ± - | 2 PLC | ± - | 3 PLC | ± .015 | 4 PLC | ± - | ANGLES | ± - | NAME | |
| 0 PLC | ± - | | | | | | | | | | | | | | | |
| 1 PLC | ± - | | | | | | | | | | | | | | | |
| 2 PLC | ± - | | | | | | | | | | | | | | | |
| 3 PLC | ± .015 | | | | | | | | | | | | | | | |
| 4 PLC | ± - | | | | | | | | | | | | | | | |
| ANGLES | ± - | | | | | | | | | | | | | | | |
| MATERIAL | BRASS | FINISH | SEE TABLE | PRODUCT SPEC | - | | | | | | | | | | | |
| CUSTOMER DRAWING | | SIZE | A3 | CAGE CODE | 00779 | | | | | | | | | | | |
| SCALE | | 4:1 | DRAWING NO | C-42474 | RESTRICTED TO | - | | | | | | | | | | |
| SHEET | | 1 OF 1 | REV | V | | | | | | | | | | | | |

Mouser Electronics

Authorized Distributor

Click to View Pricing, Inventory, Delivery & Lifecycle Information:

[TE Connectivity:](#)

[42474-2](#)