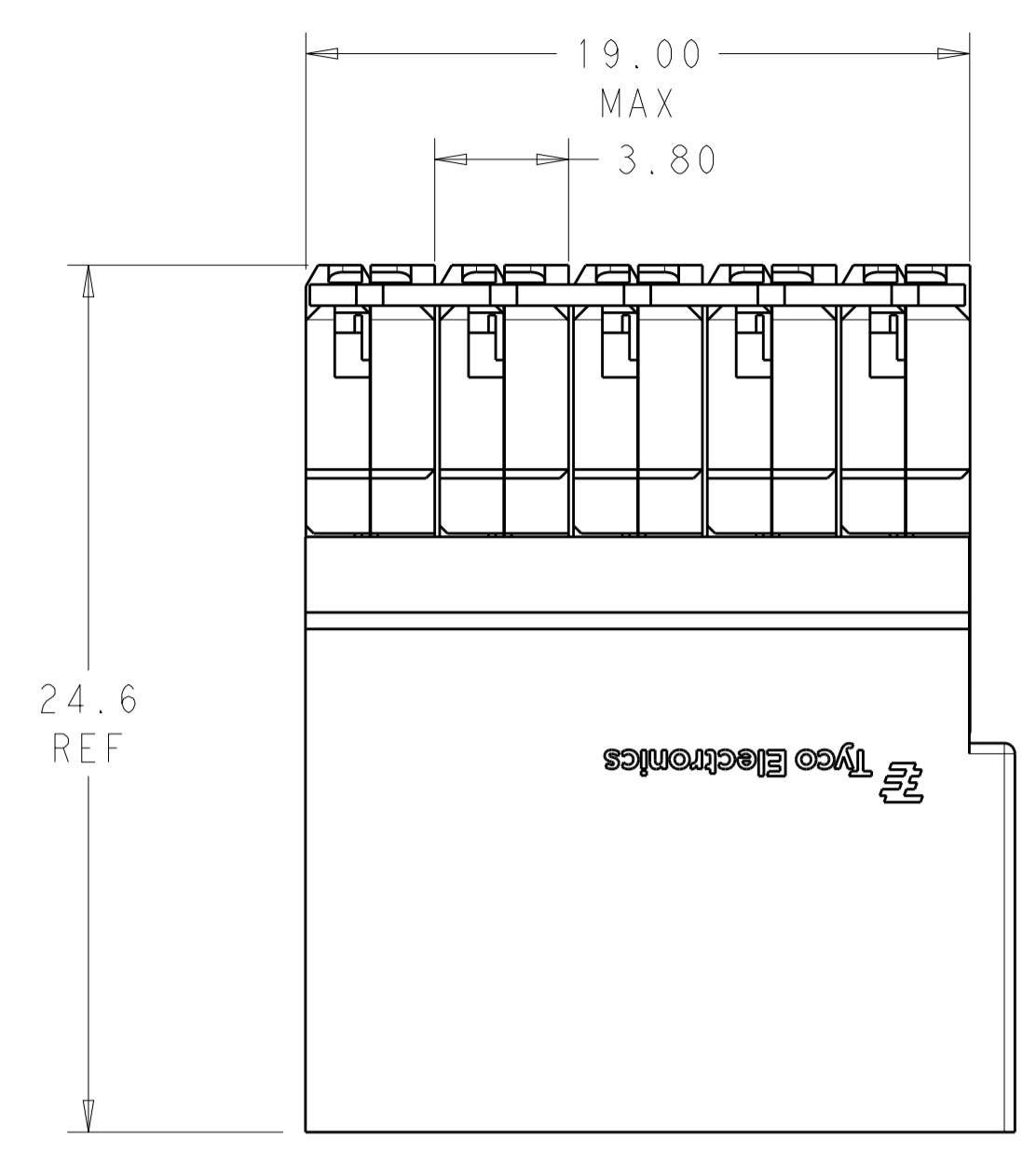
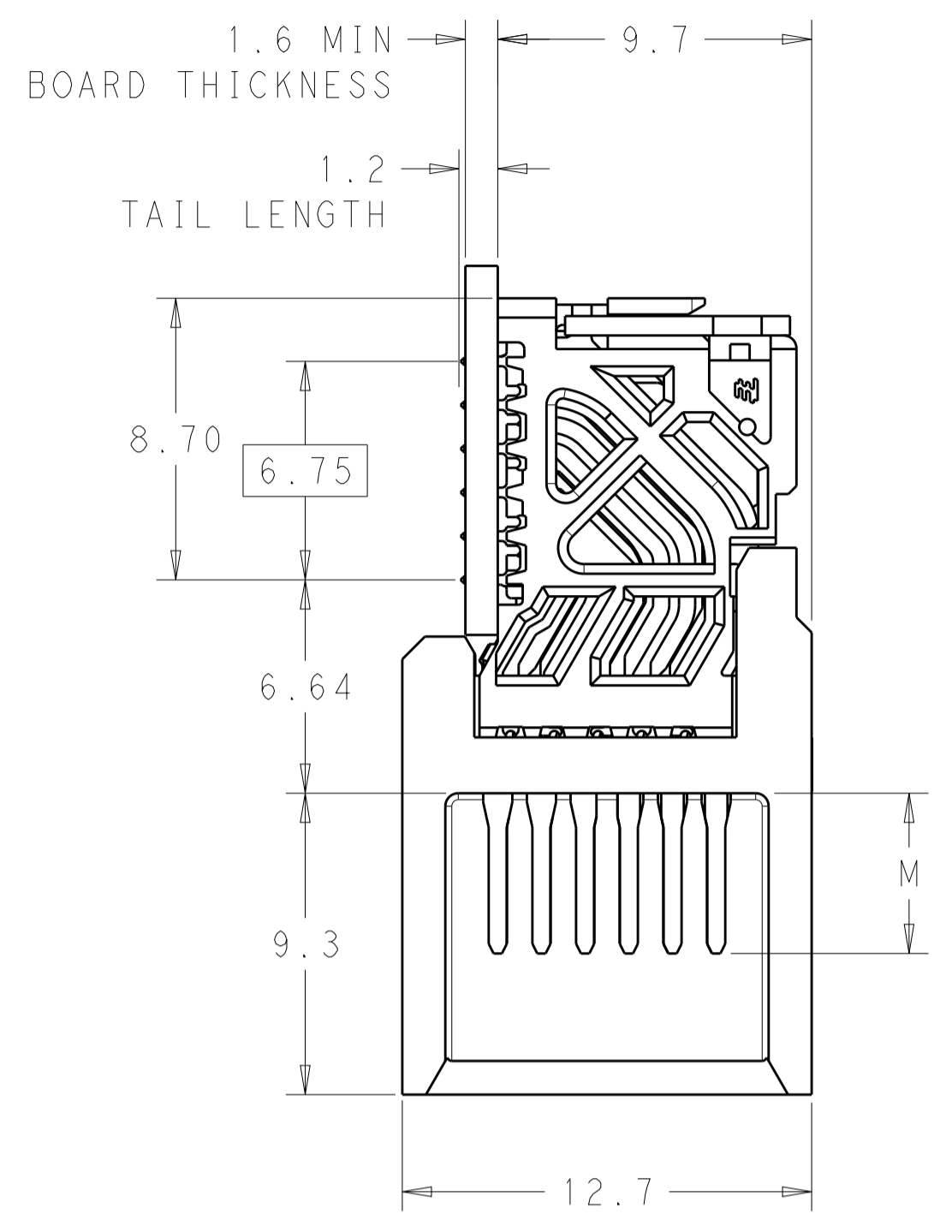
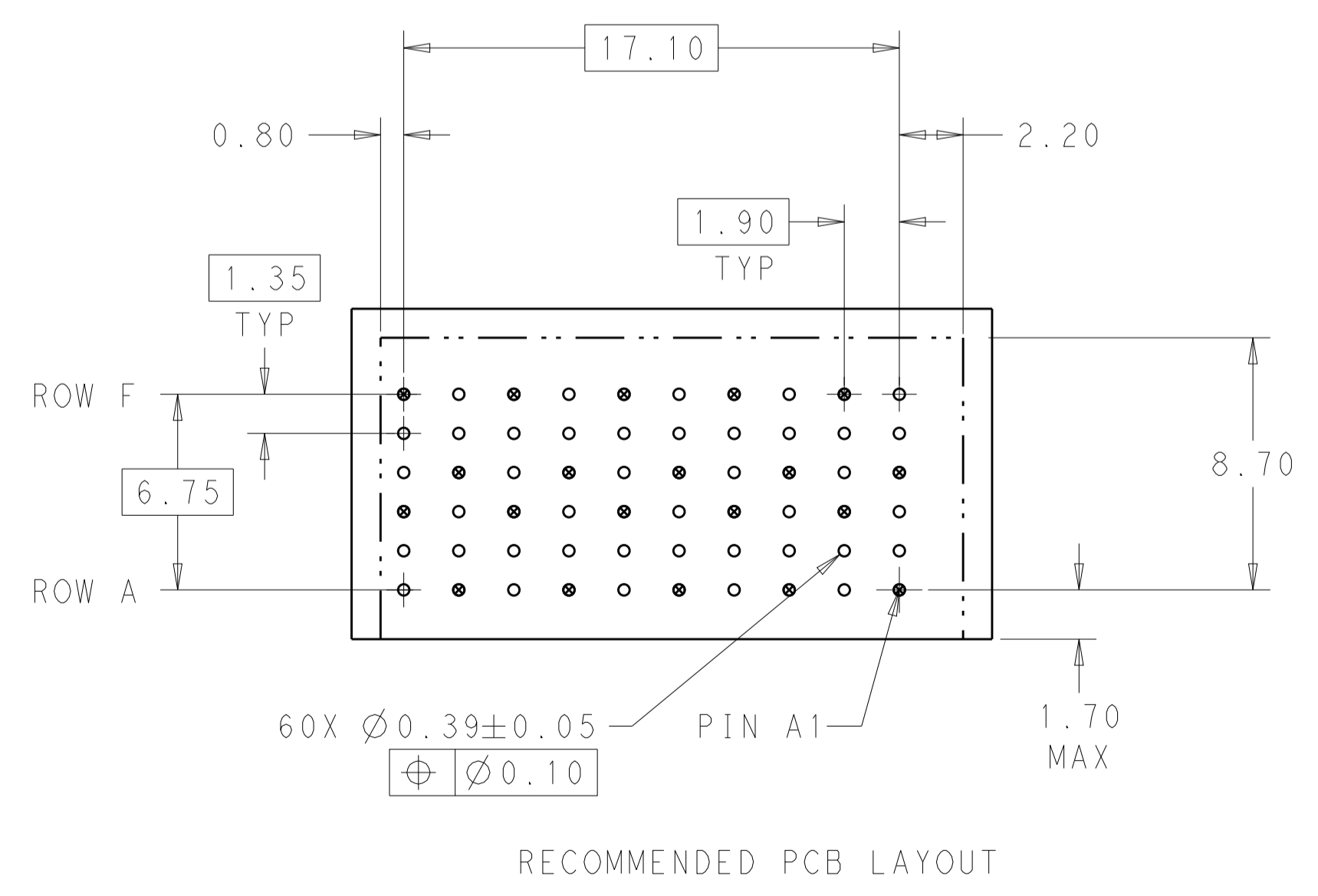
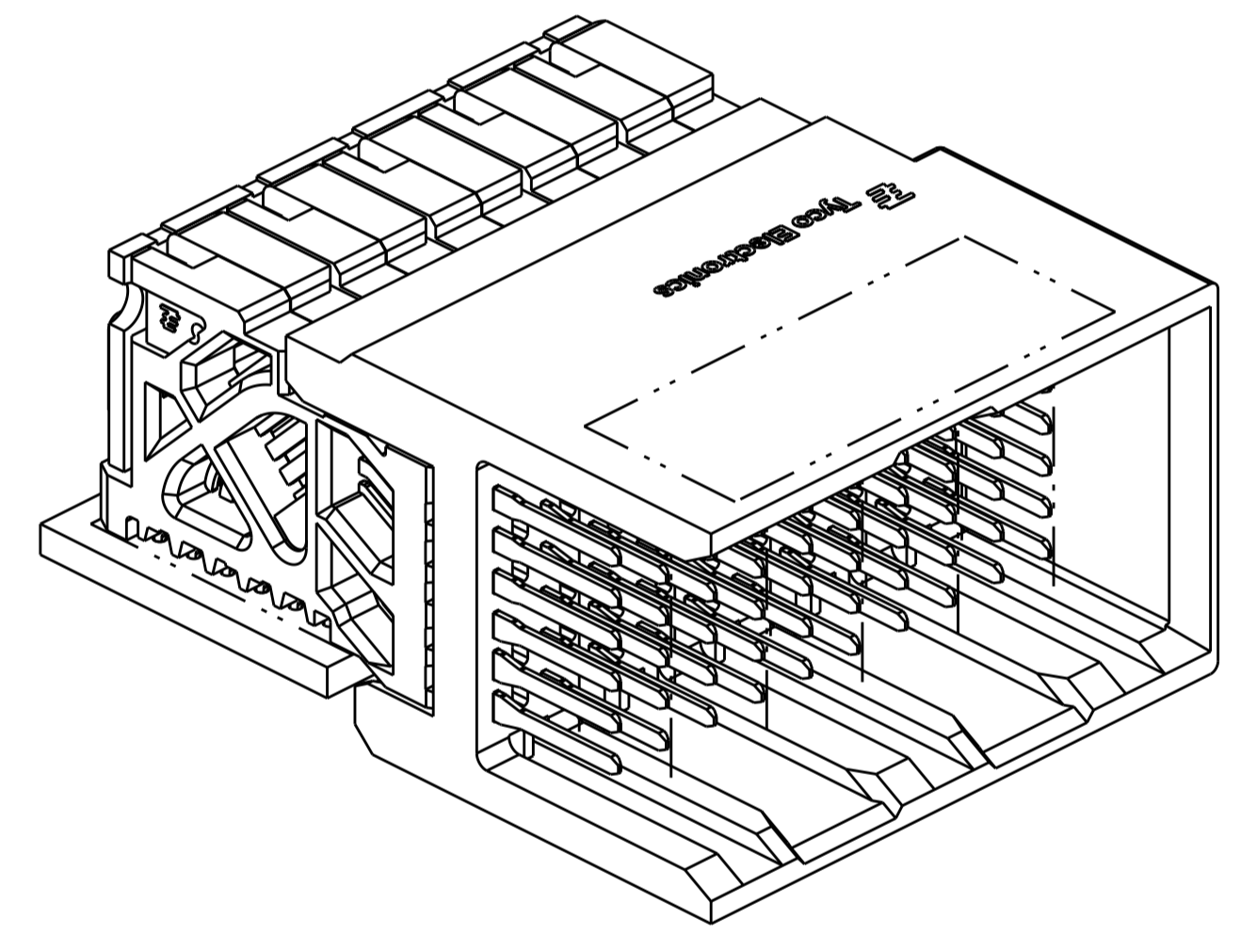
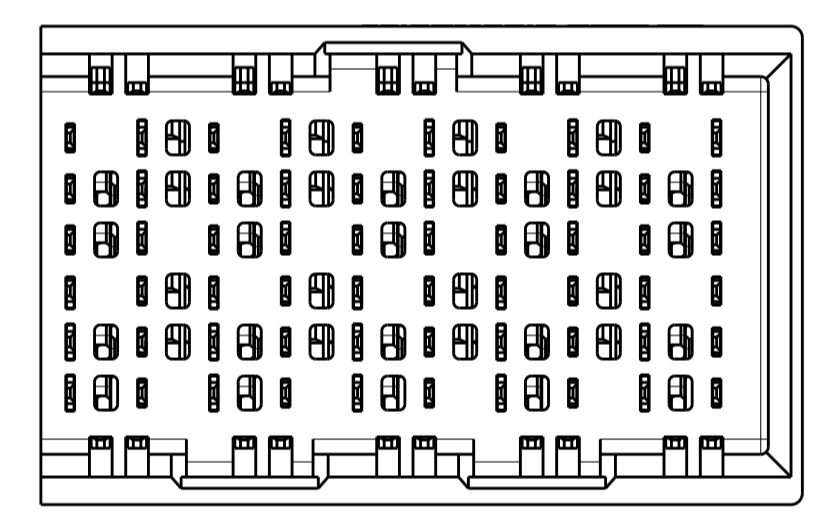


REVISIONS				
P.	LTM	DESCRIPTION	DATE	APVD
B1		REVISED PER ECO-15-003239	24MAR2015	AP DD

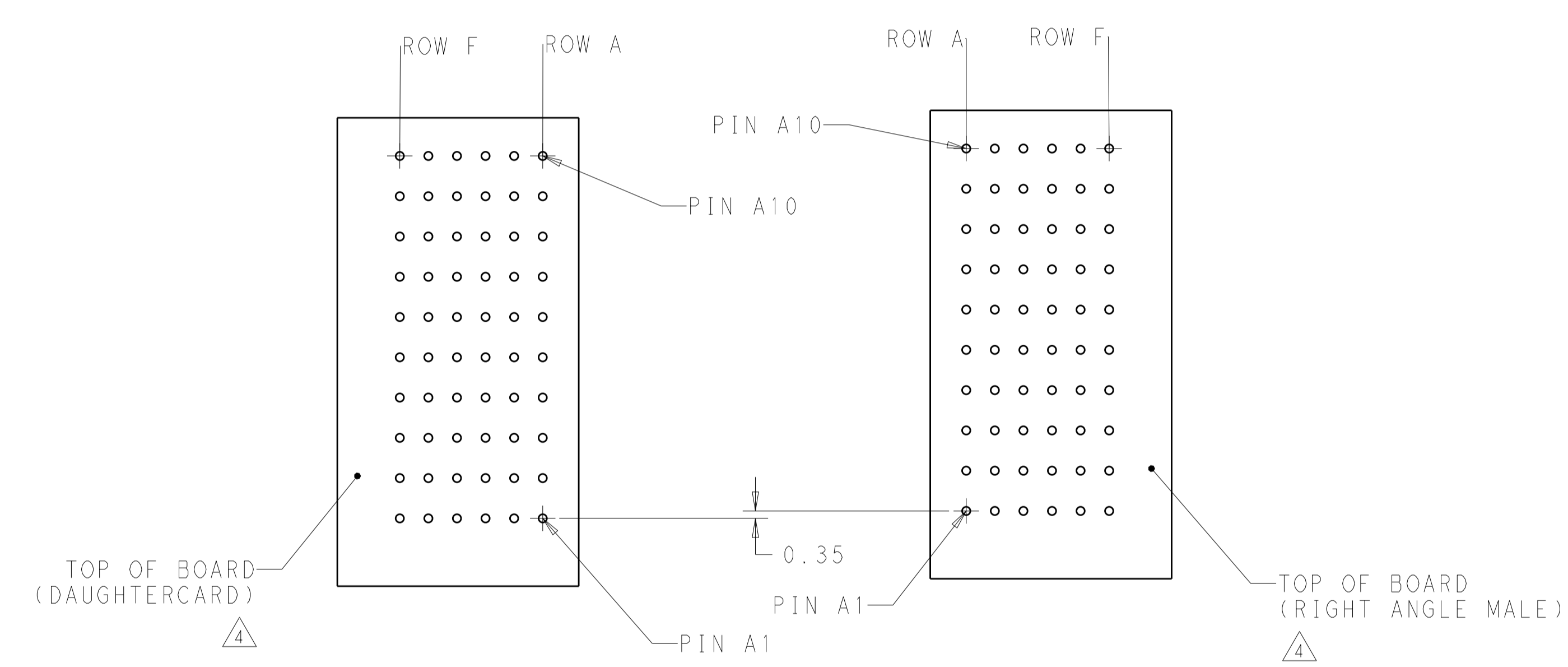


- 1 MATERIAL:
 HOUSING: LCP, GLASS FILLED, UL94V-0.
 TERMINALS: HIGH PERFORMANCE COPPER ALLOY.
- 2 FINISH:
 30µm SELECTIVE GOLD IN CONTACT AREA. SELECTIVE TIN ON PCB TAILS, NICKEL OVERALL.
- 3 FINISH:
 30µm SELECTIVE GOLD IN CONTACT AREA. SELECTIVE TIN-LEAD ON PCB TAILS, NICKEL OVERALL.
- 4 UNGUIDED RIGHT ANGLE MALE MATES TO UNGUIDED RIGHT ANGLE RECEPTACLE.



THIS DRAWING IS A CONTROLLED DOCUMENT.		DWN - 06APR2011	TE Connectivity NAME: IMPACT, STD, RAM, 2 PAIR, 10 COLUMN, UNGUIDED RIGHT END WALL SIGNAL MODULE, 0.3 EYELET PRODUCT SPEC APPLICATION SPEC SIZE: CAGE CODE DRAWING NO: A100779C=2143015 WEIGHT: - Customer Drawing	RESTRICTED TO	
DIMENSIONS:		CHK J. EARY 06APR2011		SCALE 5:1	SHEET 1 OF 2
TOLERANCES UNLESS OTHERWISE SPECIFIED:		APVD J. EARY 06APR2011			REV B1
mm 0 PLC ± 1 PLC ±0.25 2 PLC ±0.13 3 PLC ± 4 PLC ± ANGLES ± FINISH SEE TABLE					

REVISIONS				
P.	LTN	DESCRIPTION	DATE	APVD
-	-	SEE SHEET 1	-	-



COPLANAR MATED SIGNAL PATHS



	5.50	2143015-6
	4.90	2143015-5
	5.50	2143015-3
	4.90	2143015-2
FINISH	DIM M	PART NUMBER

REFER TO WWW.TE.COM FOR PRODUCT AVAILABILITY

THIS DRAWING IS A CONTROLLED DOCUMENT.		DWN 06APR2011	TE Connectivity
DIMENSIONS: mm		CHK J. EARY 06APR2011	
TOLERANCES UNLESS OTHERWISE SPECIFIED:		APVD J. EARY 06APR2011	NAME: IMPACT, STD. RAM, 2 PAIR, 10 COLUMN, UNGUIDED RIGHT END WALL SIGNAL MODULE, 0.3 EYELET
0 PLC ±0.25		PRODUCT SPEC	APPLICATION SPEC
1 PLC ±0.13		SIZE	CAGE CODE DRAWING NO
2 PLC ±		WEIGHT	RESTRICTED TO
3 PLC ±		A100779C=2143015	
4 PLC ±		Customer Drawing	
ANGLES		SCALE 5:1	SHEET 2 OF 2
FINISH		REV B1	

Mouser Electronics

Authorized Distributor

Click to View Pricing, Inventory, Delivery & Lifecycle Information:

[TE Connectivity:](#)

[2143015-3](#)