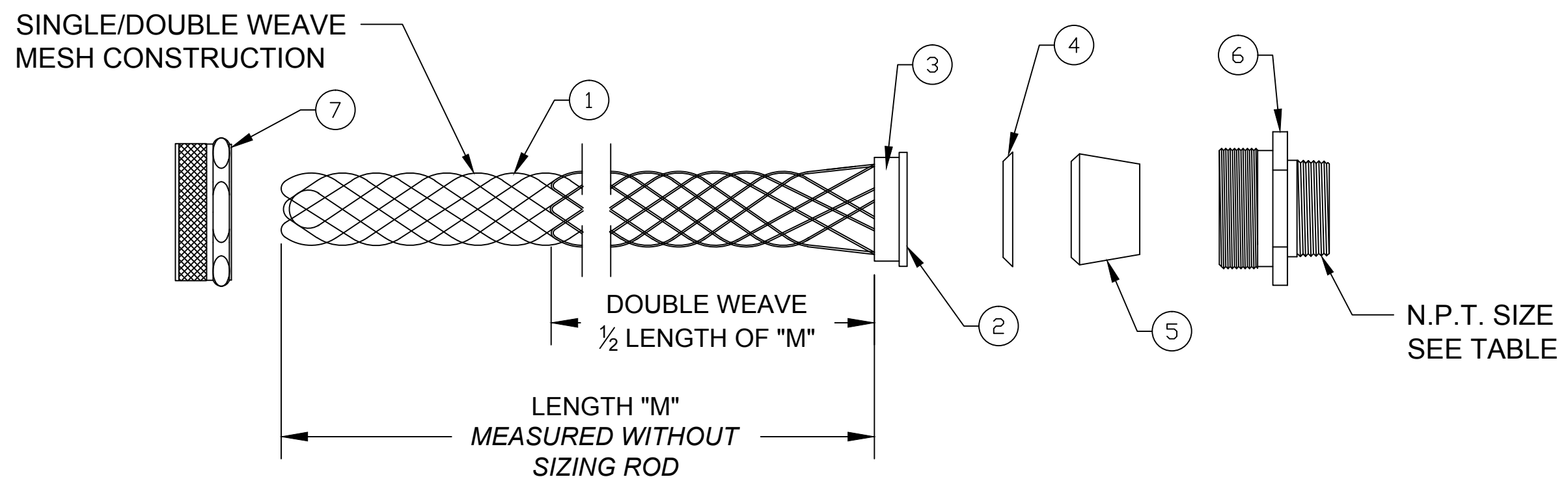
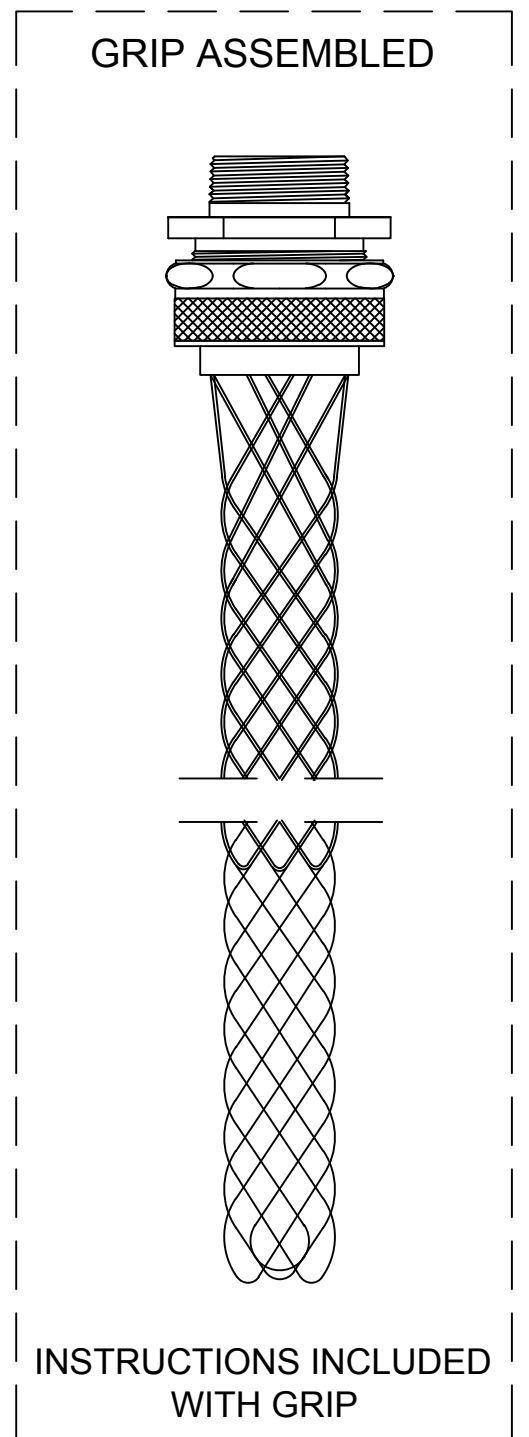


CATALOG NUMBER	MATERIAL NUMBER	CABLE RANGE	LENGTH "M"	N.P.T. FITTING SIZE	FORM SIZE	UL LISTED	CSA APPROVED	PRODUCT SELECTION NUMBER			
36490	1300970250	.187-.250 / 4.75-6.35	4.250±0.500 / 107.95±12.70	3/8	1	UL	CSA	PG304			
36430	1300970225	.250-.312 / 6.35-7.92	4.250±0.500 / 107.95±12.70					PG305			
36431	1300970226	.312-.375 / 7.92-9.53	4.250±0.500 / 107.95±12.70					PG306			
36432	1300970227	.375-.437 / 9.53-11.10	5.500±0.500 / 139.70±12.70					PG307			
36250	1300970160	.187-.250 / 4.75-6.35	4.250±0.500 / 107.95±12.70	1/2	2	UL	CSA	PG404			
36251	1300970161	.250-.375 / 6.35-9.53	4.250±0.500 / 107.95±12.70					PG406			
36254	1300970163	.375-.500 / 9.53-12.70	6.250±0.500 / 158.75±12.70					PG408			
36256	1300970165	.500-.625 / 12.70-15.88	6.500±0.500 / 165.10±12.70					PG410			
36245	1300970156	.625-.750 / 15.88-19.05	8.500±1.000 / 209.55±25.40	3	---	---	CSA	PG412			
36246	1300970157	.750-.875 / 19.05-22.23	9.250±1.000 / 234.95±25.40					PG414			
36247	-----	.187-.250 / 4.75-6.35	4.250±0.500 / 107.95±12.70	3/4	2	---	---	PG604			
36257	1300970166	.250-.375 / 6.35-9.53	4.250±0.500 / 107.95±12.70					PG606			
36259	1300970167	.375-.500 / 9.53-12.70	6.250±0.500 / 158.75±12.70		3	UL	---	CSA	PG608		
36261	1300970168	.500-.625 / 12.70-15.88	6.250±0.500 / 158.75±12.70						PG610		
36263	1300970170	.625-.750 / 15.88-19.05	8.500±1.000 / 209.55±25.40	4	---	---	CSA	PG612			
36248	1300970158	.750-.875 / 19.05-22.23	9.250±1.000 / 234.95±25.40					PG614			
36249	1300970159	.375-.500 / 9.53-12.70	5.750±0.500 / 146.05±12.70	1	4	---	CSA	PG808			
36275	1300970179	.500-.625 / 12.70-15.88	6.500±0.500 / 165.10±12.70					PG810			
36265	1300970171	.625-.750 / 15.88-19.05	8.500±1.000 / 209.55±25.40					UL	---	CSA	PG812
36267	1300970172	.750-.875 / 19.05-22.23	9.250±1.000 / 234.95±25.40								PG814
36269	1300970173	.875-1.000 / 22.23-25.40	8.125±1.000 / 206.38±25.40					UL	---	CSA	PG816
36270	1300970174	1.000-1.125 / 25.40-28.58	9.000±1.000 / 228.60±25.40								PG818
36276	1300970180	1.125-1.250 / 28.58-31.75	10.000±1.000 / 254.00±25.40	5	---	---	CSA	PG820			



ITEM	DESCRIPTION	MATERIAL
1	WIRE MESH	STAINLESS STEEL
2	INNER RING	ALUMINUM
3	OUTER RING	ALUMINUM
4	FRICTION RING	ZINC PLATED STEEL
5	GROMMET	RUBBER
6	THREADED BODY	ALUMINUM
7	COMPRESSION NUT	ALUMINUM

RELEASE SALES DWG EC NO.: I/PG2014-2037 DRWN: HRUIZ01 2014/10/20 CHKD: HKNEELAN 2014/10/20 APPR: JFMURPHY 2016/05/04	QUALITY SYMBOL	GENERAL TOLERANCES (UNLESS SPECIFIED)	DIMENSION STYLE INCH/MM	SCALE NTS	DESIGN UNITS INCH	THIRD ANGLE PROJECTION
	▽=0 ∇=0	4 PLACES ±--- ±---	mm INCH	HRUIZ01 2014/10/20	TITLE	STRAIN RELIEF DELUXE STRAIGHT MALE 3/8" TO 1" N.P.T.
		3 PLACES ±--- ±.005		CHECKED BY DATE		
		2 PLACES ±.13 ±.010	1 PLACE ±.25 ±.020	JFMURPHY 2016/05/04	APPROVED BY DATE	MATERIAL NO.
		ANGULAR ±1/2°	SEE TABEL	DOCUMENT NO.	SHEET NO.	SD-130097-103 1 OF 1
		DRAFT WHERE APPLICABLE MUST REMAIN WITHIN DIMENSIONS	THIS DRAWING CONTAINS INFORMATION THAT IS PROPRIETARY TO MOLEX INCORPORATED AND SHOULD NOT BE USED WITHOUT WRITTEN PERMISSION			

# Mouser Electronics

Authorized Distributor

Click to View Pricing, Inventory, Delivery & Lifecycle Information:

[Molex:](#)

[1300970170](#)