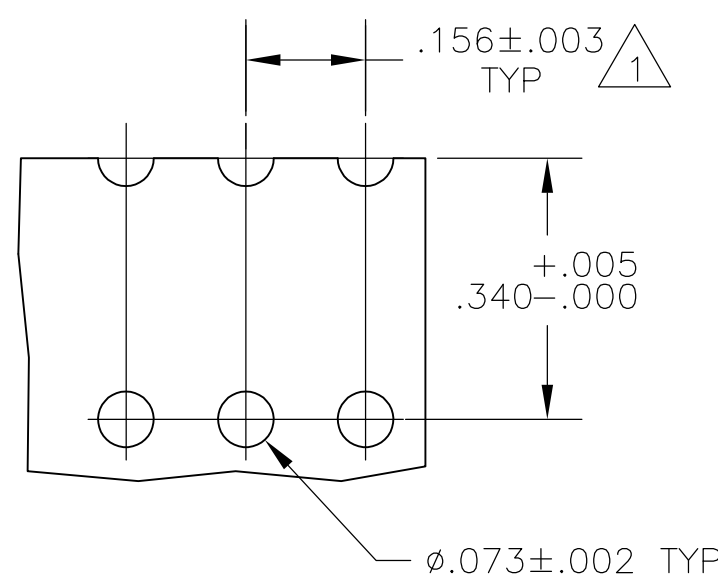
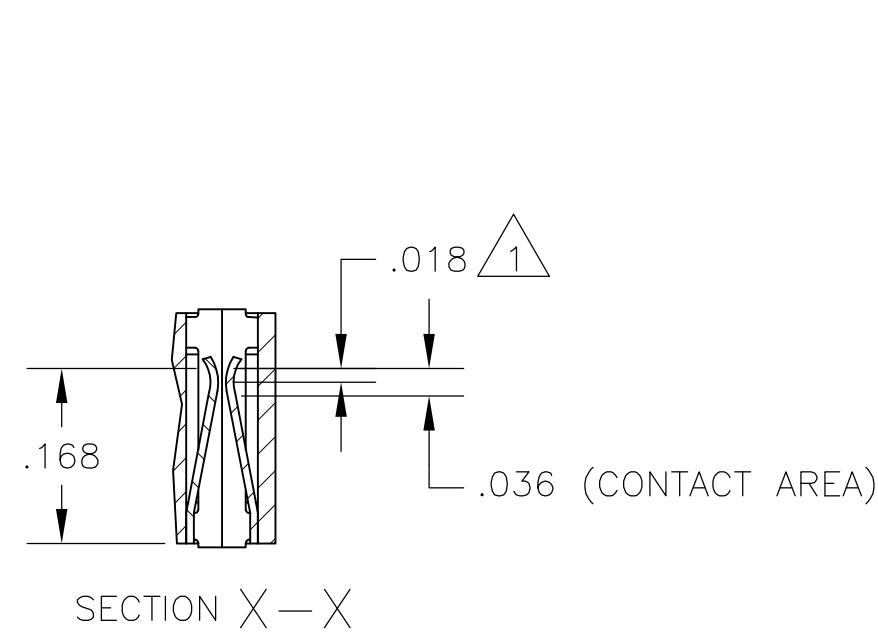


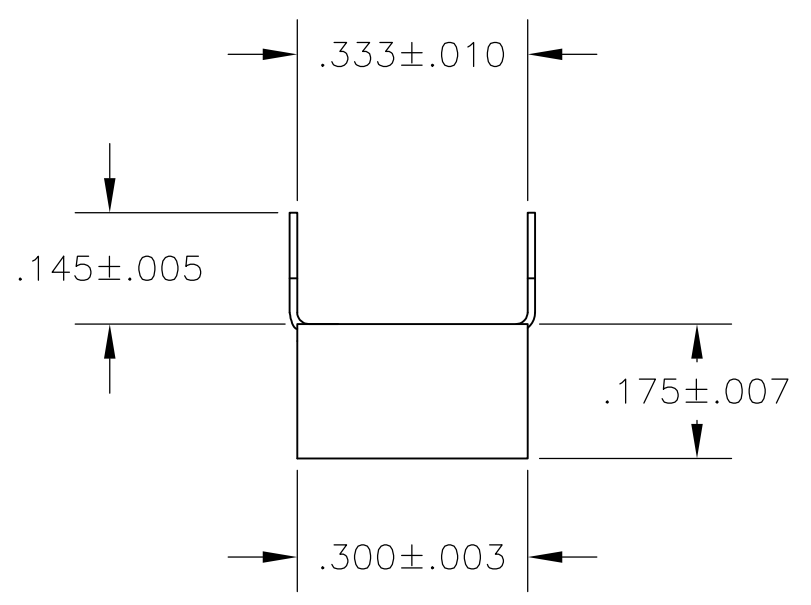
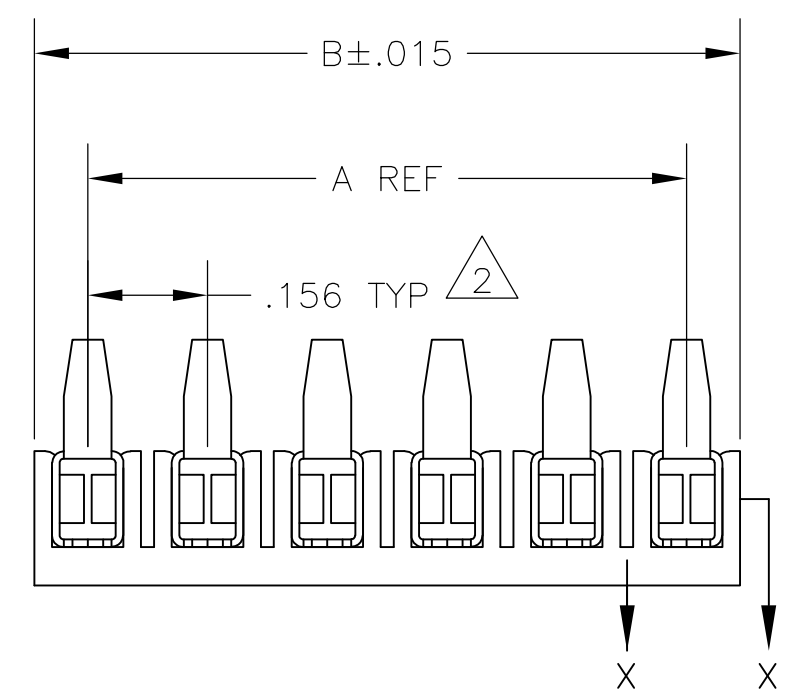
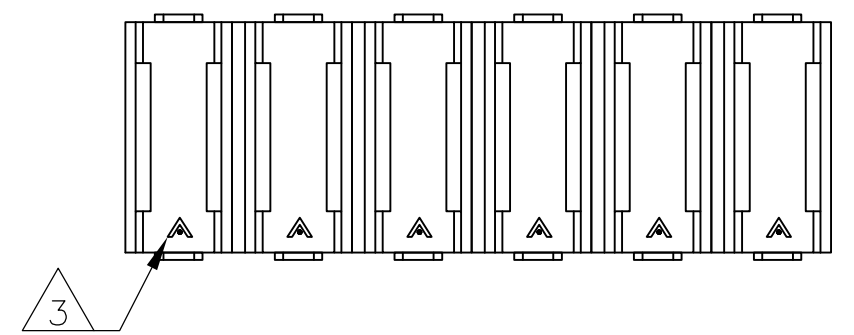
THIS DRAWING IS UNPUBLISHED. RELEASED FOR PUBLICATION
 © COPYRIGHT BY TYCO ELECTRONICS CORPORATION. ALL RIGHTS RESERVED.

LOC		DIST		REVISIONS			
P	LTR	DESCRIPTION		DATE	DWN	APVD	
	M1	REVISED ECO-09-024927		06NOV09	KK	AEG	



- 1 POINT OF MEASUREMENT FOR PLATING THICKNESS (INSIDE OF BEAMS).
- 2 TOLERANCE NON-CUMULATIVE.
- 3 THE MATING END OF THE CONTACT IS IDENTIFIED BY THE LETTER "A" STAMPED ON THE RECEPTACLE BOX.
- 4 OBSOLETE PARTS: OBSOLETE CIS STREAMLINING PER D.RENAUD/D.SINISI

RECOMMENDED BOARD MOUNTING
 (RECOMMENDED BOARD THICKNESS: .055-.103)



SIZE	CAGE CODE	DRAWING NO	RESTRICTED TO
3.120	2.964	20	-2-87995-0-
2.964	2.808	19	-1-87995-9-
2.808	2.652	18	-1-87995-8-
2.652	2.496	17	-1-87995-7-
2.496	2.340	16	-1-87995-6-
2.340	2.184	15	-1-87995-5-
2.184	2.028	14	-1-87995-4-
2.028	1.872	13	-1-87995-3-
1.872	1.716	12	-1-87995-2-
1.716	1.560	11	-1-87995-1-
1.560	1.404	10	-1-87995-0-
1.404	1.248	9	-87995-9-
1.248	1.092	8	-87995-8-
1.092	.936	7	-87995-7-
.936	.780	6	-87995-6-
.780	.624	5	-87995-5-
.624	.468	4	87995-4
.468	.312	3	-87995-3-
.312	.156	2	87995-2
B	A	NO OF POSN	ASSEMBLY PART NUMBER

THIS DRAWING IS A CONTROLLED DOCUMENT.

DWN	L A MAYER	17MAR86
CHK	P deJONG	17MAR86
APVD	P deJONG	17MAR86

Tyco Electronics Corporation
 Harrisburg, Pa 17105-3608

ASSY, MOD I, BOARD MOUNT RECP,
 .156CL., HIGH PRESSURE, TYPE C,
 FOR ROUND HOLE MOUNTING

SIZE	CAGE CODE	DRAWING NO	RESTRICTED TO
A2	-	C=87995	-

MATERIAL: HOUSING-FLAME RETARDANT THERMOPLASTIC, COLOR-BLACK
 FINISH: CONTACTS: .000079 MIN TIN
 WEIGHT: -
 CUSTOMER DRAWING

SCALE: 4:1 SHEET 1 OF 1 REV M1

Mouser Electronics

Authorized Distributor

Click to View Pricing, Inventory, Delivery & Lifecycle Information:

[TE Connectivity:](#)

[87995-4](#)