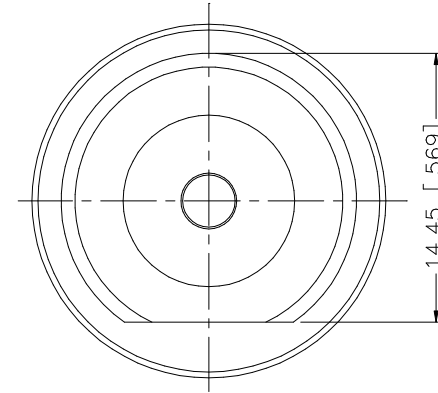
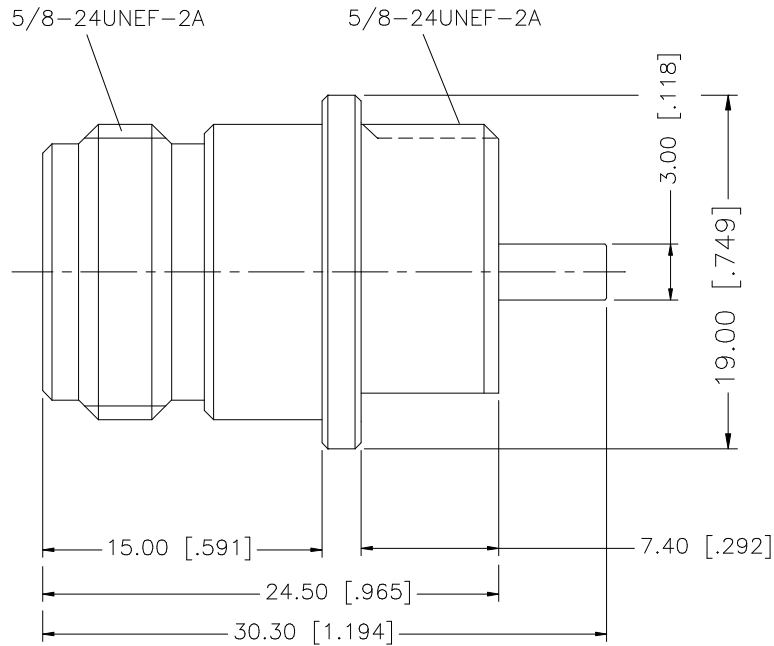


REV.	DATE	DESCRIPTION
NC	10/17/99	INITIAL RELEASE
A	12/17/06	UPDATE DRAWING FORMAT



8					<small>UNLESS OTHERWISE SPECIFIED DIMENSIONS ARE IN MILLIMETERS. DIMENSIONS IN [ ] ARE IN INCHES AND FOR CUSTOMER REFERENCE ONLY.</small> <small>UNLESS OTHERWISE SPECIFIED TOLERANCES FOR MILLIMETERS ARE:</small> 0.5 - 8mm ± 0.20mm 8 - 30mm ± 0.40mm 30 - 120mm ± 0.50mm <small>UNLESS OTHERWISE SPECIFIED TOLERANCES FOR INCHES ARE:</small> .020 - .315 = ± 0.007" .315 - 1.180 = ± 0.015" 1.180 - 4.724 = ± 0.020"	APPROVALS	DATE	<h1 style="color: blue;">Amphenol Connex</h1>							
7				DRAWN		G.R.S.	12/17/06		PART DESCRIPTION <b>N BULKHEAD JACK BLUNT POST REVERSE POLARIZED</b>						
6				CHECKED											
5				ISSUED											
4					SHEET	1 OF 1		PART NO.	172256RP						
3	CONTACT PIN	BER. COPPER	GOLD	1	CAD FILE		C:/172/172256RP.DWG	DWG. NO.	172256RP.DWG	REV.	A	SIZE	A	SCALE	NA
2	INSULATOR	TEFLON	NATURAL	1											
1	BODY	BRASS	NEXCOTE	1											
	DESCRIPTION	MATERIAL	FINISH	QTY	DO NOT SCALE DRAWING										

# Mouser Electronics

Authorized Distributor

Click to View Pricing, Inventory, Delivery & Lifecycle Information:

[Amphenol:](#)

[172256RP](#)