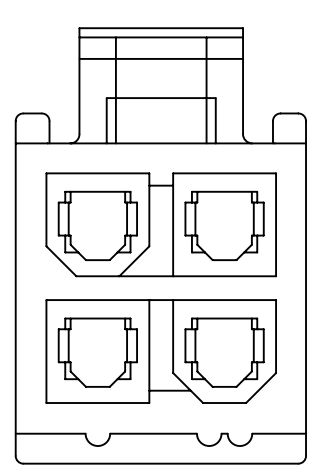


PART NUMBER	ENG. NUMBER	MATERIAL (SEE NOTE 1)
39-01-3028	5557-02R1-210	94V-0
39-01-3048	5557-04R1-210	94V-0
39-01-3022	5557-02R1	94V-2
39-01-3042	5557-04R1	94V-2
39-01-6026	5557-02R1-BL	94V-2, BLACK
NO E.D.P.	5557-04R1-BL	94V-2, BLACK

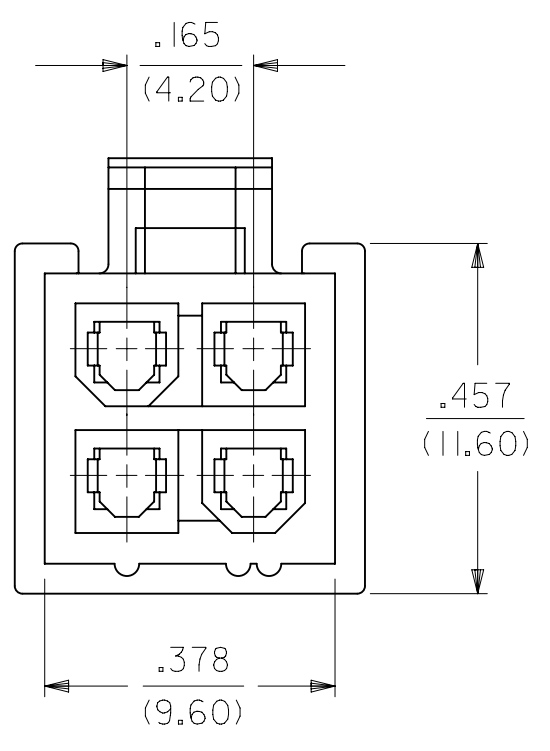
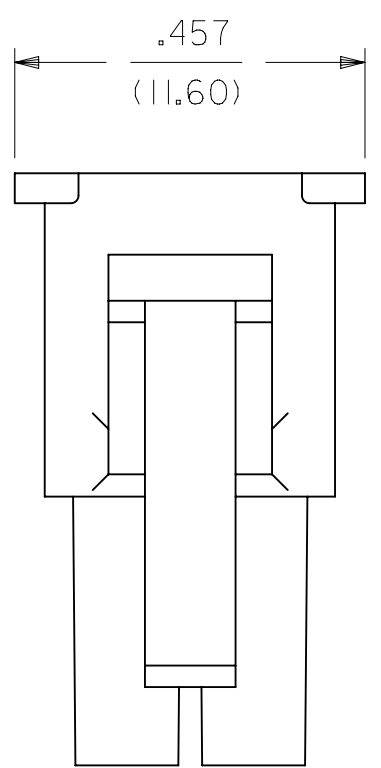
LEGEND:

5557-*** R1-****

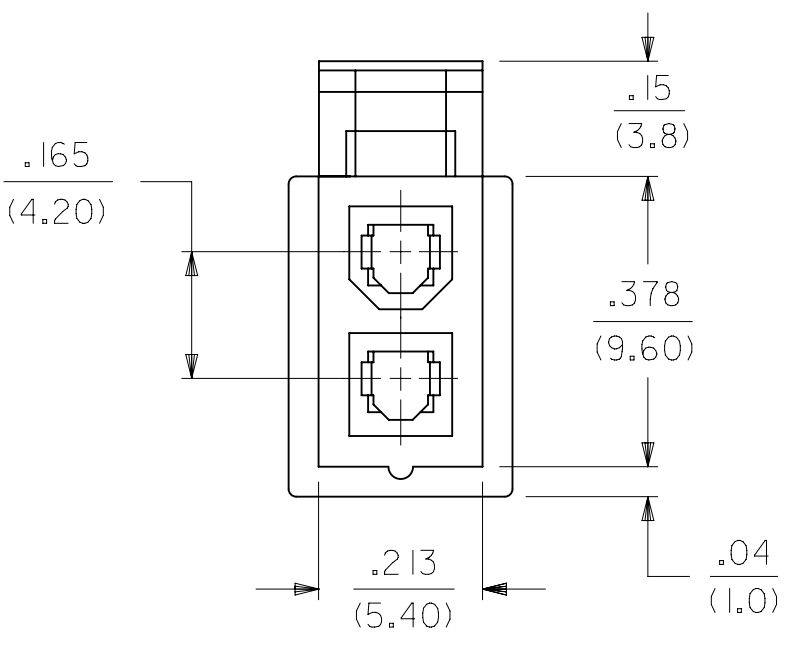
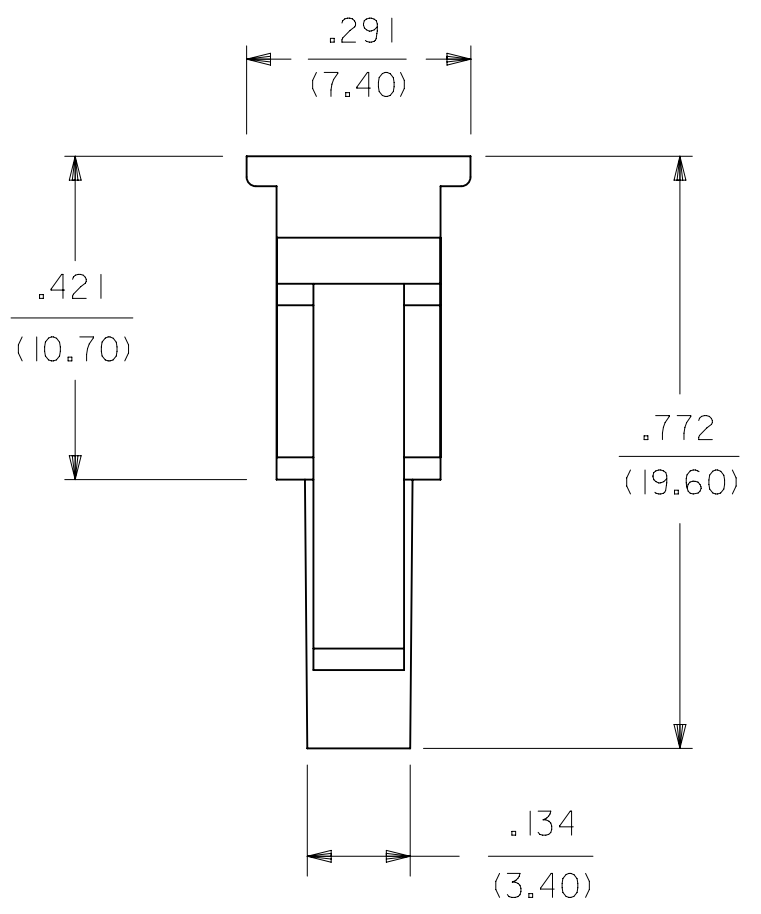
BASE NUMBER
 CKT. SIZE
 RECEPTACLE
 (WITH SIDE PULL TABS)
 MATERIAL OPTION:
 (SEE NOTE 1)



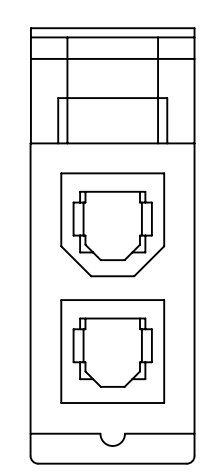
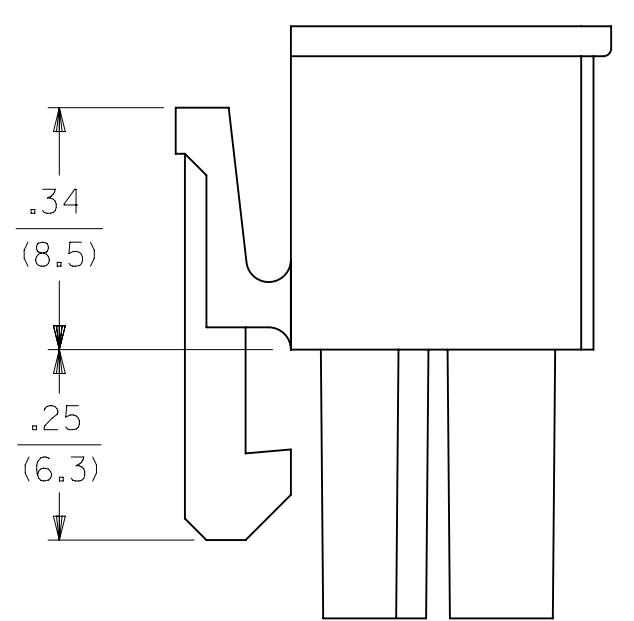
5557-04R-***
 (WITHOUT SIDE PULL TABS)
 (SHOWN FOR REFERENCE ONLY)



5557-04R1-***



5557-02R1-***



5557-02R-***
 (WITHOUT SIDE PULL TABS)
 (SHOWN FOR REFERENCE ONLY)

NOTES:

- MATERIAL:
 "BLANK" = NYLON 6/6, U.L. 94V-2. COLOR: NATURAL.
 "210" = NYLON 6/6, U.L. 94V-0. COLOR: NATURAL.
 "BL" = NYLON 6/6, U.L. 94V-2. COLOR: BLACK.
- FINISH: NOT APPLICABLE
- PRODUCT SPECIFICATION: PS-5556-001.
- PARTS TO BE PACKAGED PER PK-5557-002
- PART MATES WITH MOLEX PLUG #5559.
- PART IS FOR USE WITH MOLEX FEMALE TERMINAL #5556.
- PART IS NOT DESIGNED FOR CURRENT SHARING.
- CONNECTORS ARE NOT TO BE MATED OR UNMATED WHILE CIRCUITS ARE LIVE.
- WIRES ARE TO BE DRESSED IN SUCH A MANNER TO ALLOW THE TERMINALS TO FLOAT FREELY IN THE POCKET.
- PART CONFORMS TO CLASS "B" REQUIREMENTS OF COSMETIC SPECIFICATION PS-45499-002

THIS DRAWING CONTAINS INFORMATION THAT IS PROPRIETARY TO MOLEX ELECTRONIC TECHNOLOGIES, LLC AND SHOULD NOT BE USED WITHOUT WRITTEN PERMISSION											
SYMBOLS		DIMENSION UNITS		SCALE		CURRENT REV DESC: MIGRATE TO ECTR					
= 0		IN/MM		4:1		molex 2 & 4 CKT RECEPTACLE, MINI-FIT JR. SERIES WITH SIDE TABS PRODUCT CUSTOMER DRAWING DOCUMENT NUMBER: 55570001-SD DOC TYPE: PSD DOC PART: 000 REVISION: A MATERIAL NUMBER: SEE CHART CUSTOMER: GENERAL MARKET SHEET NUMBER: 1 OF 1					
= 0		GENERAL TOLERANCES (UNLESS SPECIFIED)									
= 0		MM		INCH							
= 0		4 PLACES ±		±							
= 0		3 PLACES ±		± 0.015							
= 0		2 PLACES ±		± 0.38 ± 0.015							
= 0		1 PLACE ±		± 0.38 ±							
= 0		0 PLACES ±		±		EC NO: 172489 DRWN: AZAHIROVIC 2018/01/24 CHK'D: JBELL 2018/02/20 APPR: FSMITH 2018/02/22 INITIAL REVISION: DRWN: GEP 1990/08/08 APPR: FSMITH 2012/05/04					
= 0		ANGULAR TOL ± 0.5 °				THIRD ANGLE PROJECTION		DRAWING		SERIES	
= 0		DRAFT WHERE APPLICABLE MUST REMAIN WITHIN DIMENSIONS				C-SIZE		5557			

Mouser Electronics

Authorized Distributor

Click to View Pricing, Inventory, Delivery & Lifecycle Information:

Molex:

[39-01-6026](#) [15-04-6021](#)