

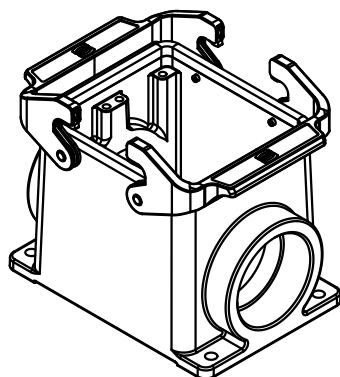
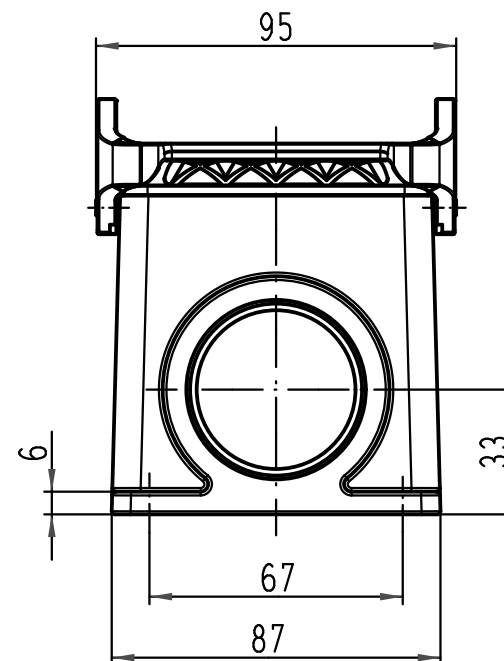
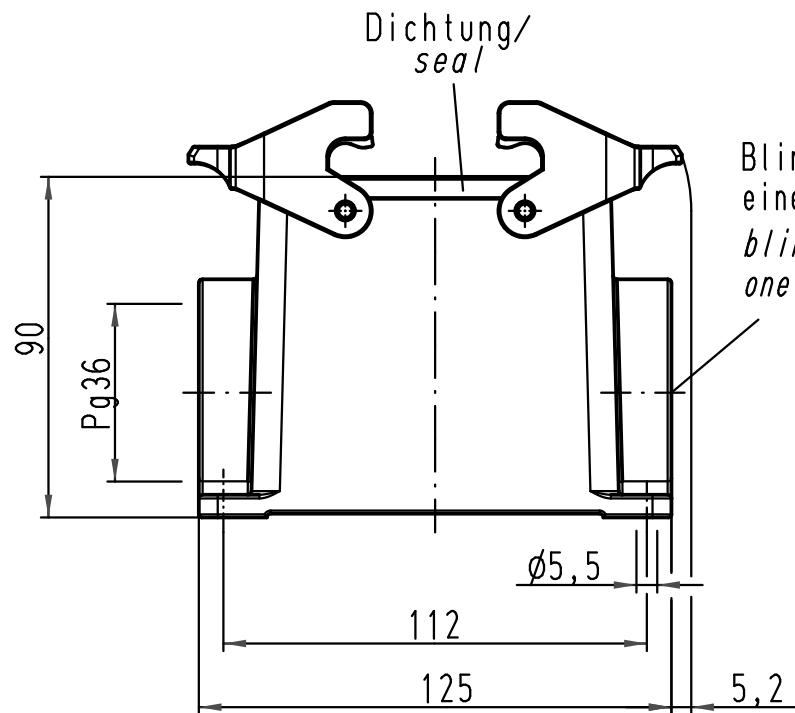
1 2 3 4 5 6

A

B

C

D



All Dimensions in mm Original Size DIN A 4			Techn. Character.			Nicht tolerierte Maß/Free size tolerances		
				Dat.	Name	Maßstab/Scale		Han 32B-asg1-QB-36 Sockelgehäuse/ housing surface mounting
			Detail.	04.02.93	PENNER	1:2		
			Insp.		HERB			
			Stand.		NÖTZEL			
413164	30.08.07	Ho	HARTING Electric GmbH & Co. KG			TB 09 30 032 0232		Blatt/ page
24826	30.11.98	PL	D-32339 Espelkamp					
Mod.	Dat.	Name						
						Sub.		

Mouser Electronics

Authorized Distributor

Click to View Pricing, Inventory, Delivery & Lifecycle Information:

[HARTING:](#)

[09300320232](#)