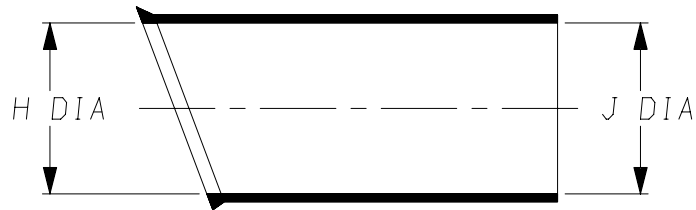
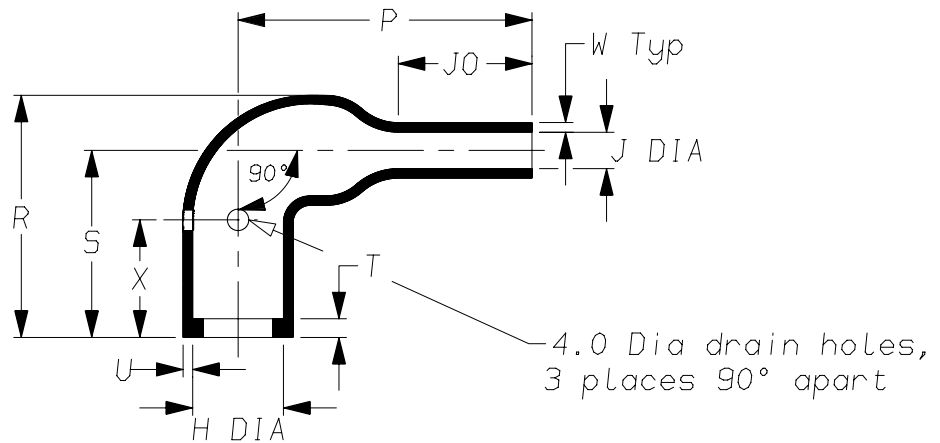


a) Part as supplied

224W142-\*G43



b) Part after unrestricted recovery.



**DIMENSIONS** *in millimetres  
(in inches, for reference)*

Part Number	H		J		P	R	S	T	U	JO	W	X
	Min	Max	Min	Max	±10%	±20%	±10%	±10%	±10%	±10%	±20%	±20%
	a	b	a	b	b	b	b	b	b	b	b	b
224W142-*G43	31 (1.22)	20.1 (0.79)	31 (1.22)	7.0 (0.28)	55 (2.17)	45.3 (1.78)	35 (1.38)	3.5 (0.14)	2.0 (0.08)	25 (0.98)	1.8 (0.07)	22 (0.87)

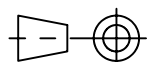
#

This is a drilled variant  
Modified dimensions are shown thus:- #

**Copyright (!)**

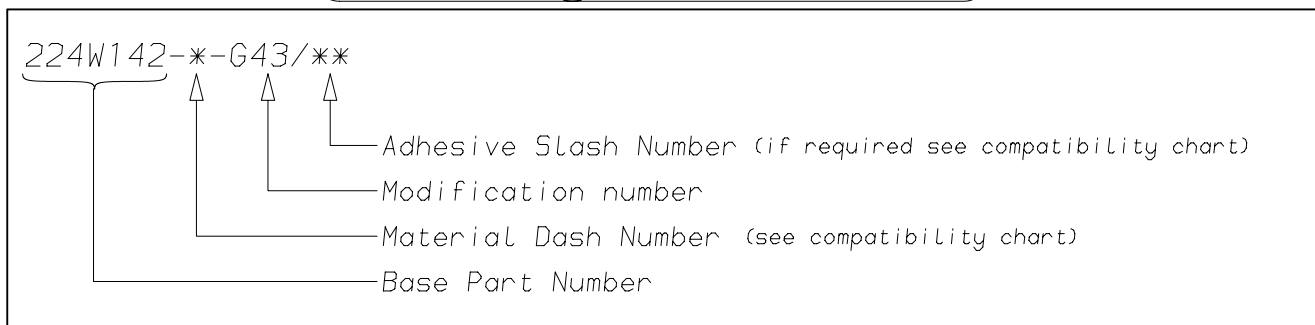
The copyright in this drawing is the property of Tyco Electronics UK Ltd. The drawing is issued on the condition that it is not copied, reproduced or disclosed to a third party, either in whole or in part without the prior written consent of Tyco Electronics UK Ltd.

Drawn A.LILLEY. Checked Issue 1 Date November 2007 Conforms to ISO Recommendations  
Approval Design MKTG. Tech. 3rd Angle Projection Not to Scale



<b>Raychem</b>		<b>Specification Control Drawing</b>	Part Number 224W142-*G43 Issue 1
Iss.	Date	E.C.R. No.	Details of Change

### (Ordering Information)



### (COMPATIBILITY CHART)

Material Dash Number	Material Description	SPEC Number	Coating Slash Number
-3	POLYOLEFIN, SEMI-RIGID	RT-301	/42, /86, /180
-4	POLYOLEFIN, FLEXIBLE	RT-1304	/42, /86, /180
-25	ELASTOMER, FLUID RESISTANT	RW-2070	/42, /86, /225
-130	POLYOLEFIN, COMMERCIAL FLEXIBLE	RW-2008	/42

#### NOTES

- ① As supplied dimensions are for uncoated parts, when coating is added entry diameters will reduce by 1.5mm Max.

Tyco Electronics UK Ltd. Faraday Road, Swindon, Wiltshire, SN3 5HH England Telephone: (01793) 528171 Fax: 572516	Tyco Electronics Corporation 300, Constitution Drive, Menlo Park, CA 94025 USA Telephone (650) 361-3860 Fax: (650) 361-5579
Cage Code K1010	Cage Code 06090

# Mouser Electronics

Authorized Distributor

Click to View Pricing, Inventory, Delivery & Lifecycle Information:

[TE Connectivity:](#)

[224W142-25-G43-0](#)