

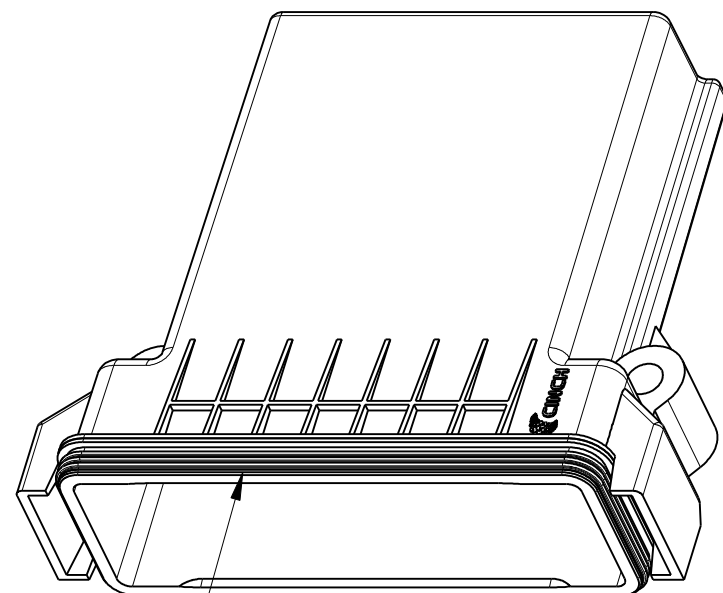
CINCH PART NUMBER MATRIX

P/N: 5810130065

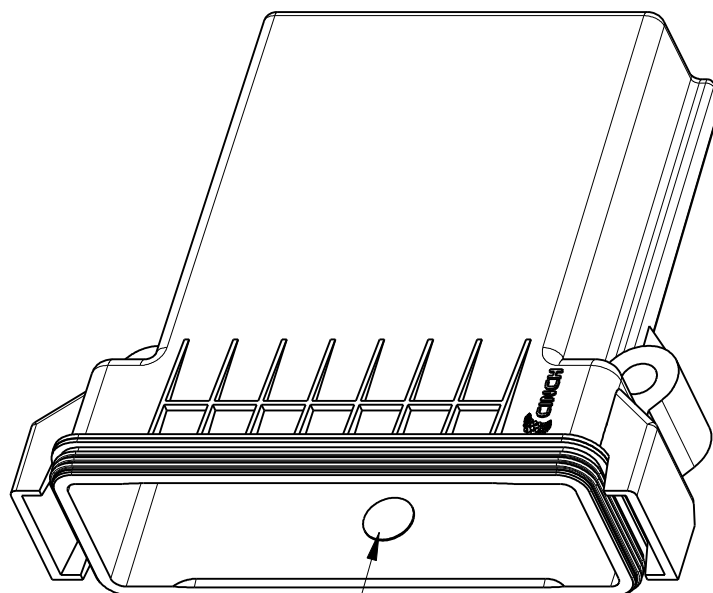
P/N: 5810130075

STANDARD ENCLOSURE

ENCLOSURE WITH BREATHER VENT



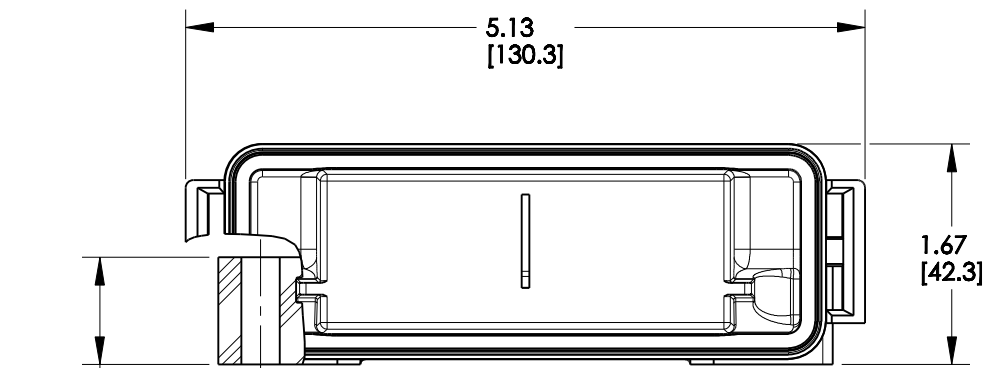
PERIPHERAL SEAL



BREATHER VENT

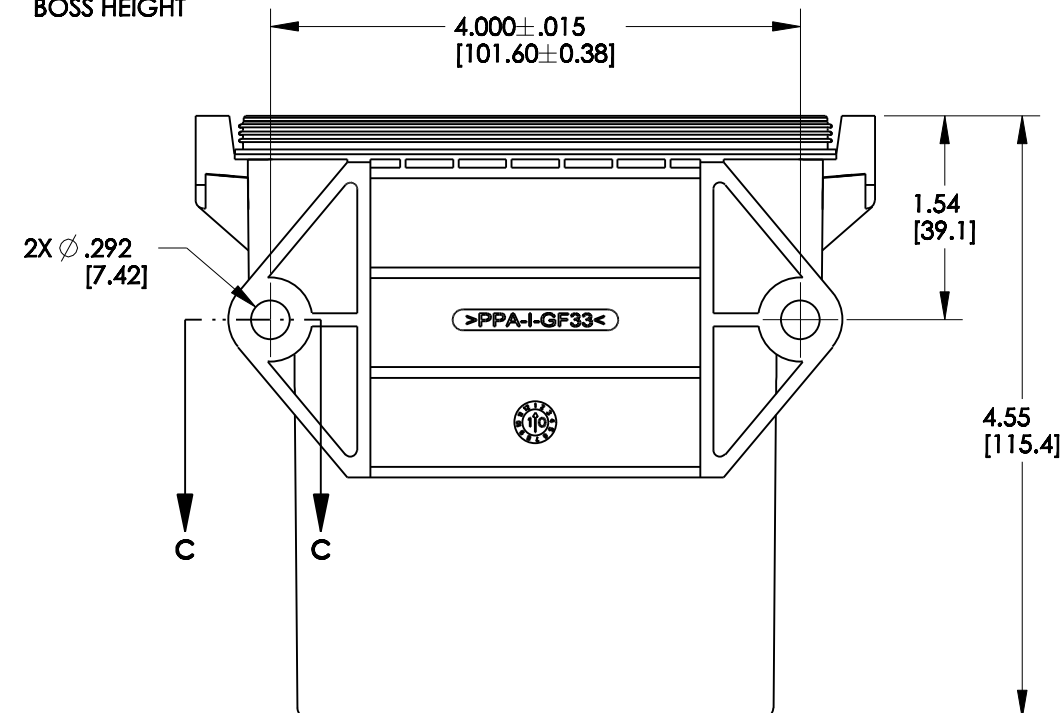
DRAWING REVISIONS (RELEASE DATE ON FILE)

REV	DOCUMENT	APP	APPROVAL DATE
A	CO 1536	A.E.	6/1/11



SECTION C-C

.81
[20.6]
MOUNTING
BOSS HEIGHT



NOTES:

- ALL DIMENSIONS ARE IN INCHES; DIMENSIONS IN [.]XX ARE IN mm AS REFERENCE ONLY
- MATERIALS: (ROHS COMPLIANT)
ENCLOSURE: 33% GLASS FILLED POLYMER, COLOR BLACK;
PERIPHERAL SEAL: SILICONE RUBBER, COLOR BLUE
- HEADERS ARE SOLD SEPARATELY (CONSULT FACTORY FOR P/N);
FOR PCB SIZE AND REQUIREMENTS REFER TO HEADER DRAWINGS.
- FASTENERS SHOULD BE TIGHTENED BY HAND AT EACH LOCATION,
APPLYING EQUAL PRESSURE AGAINST MOUNTING SURFACE, THEN TORQUE
TO 10-12 IN. LB. [1.13-1.36 Nm]

UNITS ENGLISH INCHES		DESIGN ENGINEER A. ECKHART		DATE 3/30/10		TITLE MODICE ME ENCLOSURE ASSEMBLY		MODELED BY: A. ECKHART	
DO NOT SCALE DRAWING		APPROVALS ON FILE		MATERIAL SEE NOTE 2		CONTROL SPEC NUMBER		1700 FINLEY RD LOMBARD, IL. 60148	
CONFIDENTIAL THIS DOCUMENT IS THE PROPERTY OF CINCH. NEITHER THIS DOCUMENT NOR ANY OF THE INFORMATION CONTAINED IN IT MAY BE DUPLICATED OR DISCLOSED WITHOUT PRIOR WRITTEN CONSENT OF CINCH. ©COPYRIGHT 2010 CINCH		CAGE IDENT NO. 71785		SIZE B		DRAWING NUMBER 5810130065S		PROJECT NUMBER A14926	
		SCALE 2:3		SHEET 1 OF 1					

Mouser Electronics

Authorized Distributor

Click to View Pricing, Inventory, Delivery & Lifecycle Information:

[Cinch Connectivity Solutions:](#)

[581-01-30-065](#) [581-01-30-075](#)