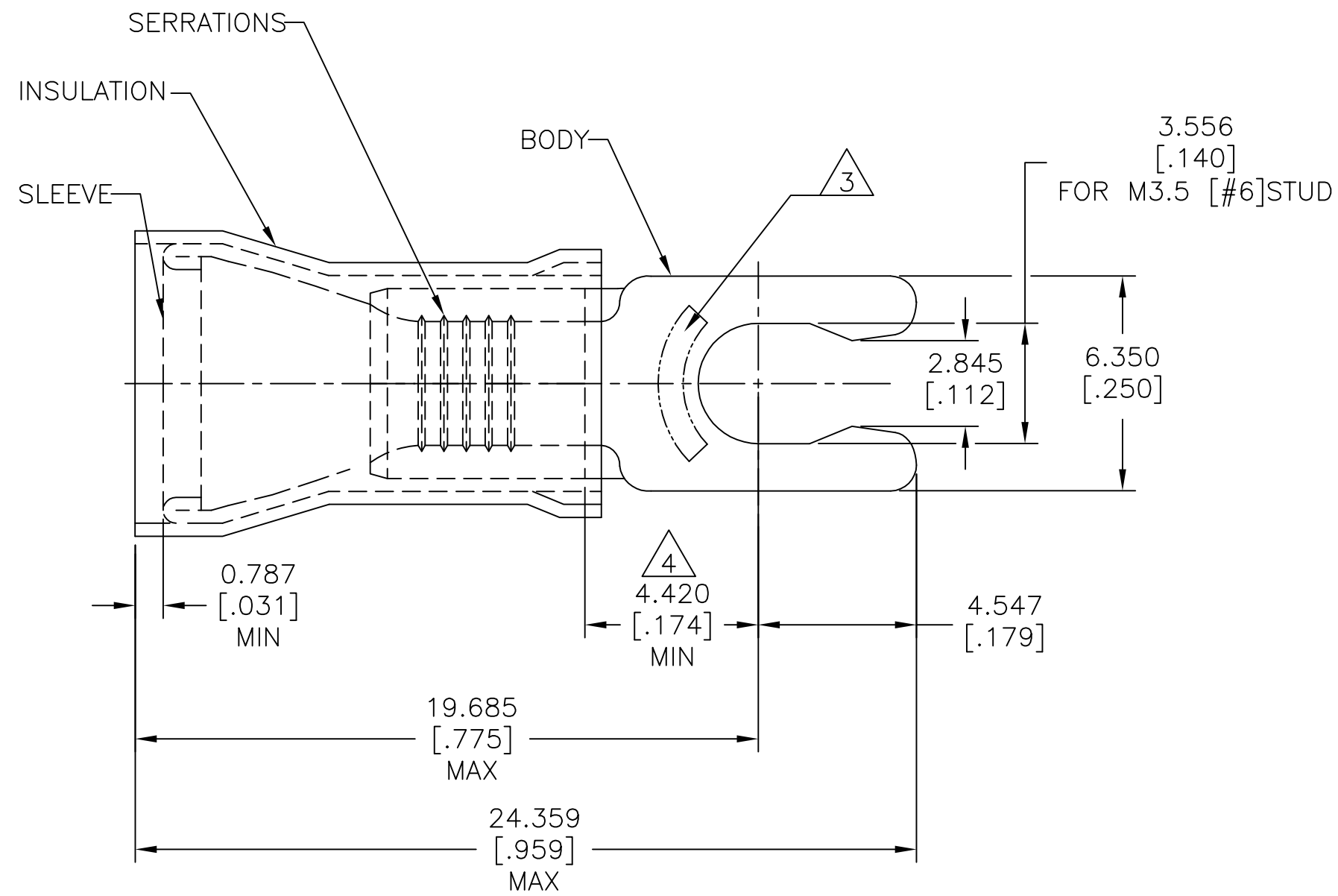


| REVISIONS | | | | | |
|-----------|-----|---------------------------|-----------|-----|------|
| P | LTR | DESCRIPTION | DATE | DWN | APVD |
| | K1 | REDRAWN PER ECO-17-007400 | 05DEC2017 | RS | DR |

| | | |
|--------------------------------|--------------------------------|--------------------------------|
| AMP WIRE RANGE | Listed FILE E13288 | LR7189 Certified |
| 12-10 AWG SOLID OR STRANDED | 12-10 AWG SOLID OR STRANDED | 12-10 AWG SOLID OR STRANDED |



- 1 FOR $\phi 3.810[\phi.150]$ TO $\phi 6.350[\phi.250]$ WIRE INS.
- 2 BODY MATERIAL THICKNESS: $0.991 \pm 0.051[.039 \pm .002]$
- 3 STAMP 6S AMP 12-10* APPROX AS SHOWN.
- 4 APPLIES FROM EDGE OF METAL WIRE BARREL TO CENTER OF STUD HOLE.
- 5 MATERIAL:
BODY - PHOSPHOR BRONZE PER ASTM B103
SLEEVE - COPPER PER ASTM B152
INSULATION - NYLON.
- 6 FINISH:
BODY & SLEEVE - TIN PLATE PER ASTM B545
INSULATION - COLOR - YELLOW

| | | |
|------|---------------|-------------|
| 2500 | ON TAPE, REEL | 52941-1 |
| 500 | LOOSE PIECE | 52941 |
| QTY. | PACKAGE TYPE | PART NUMBER |

| | | | | | | | | | | |
|--|--|---|--|---|-------------------------------------|----------------------------|-----------------|-----------|--|---------------|
| AMP INCORPORATED CUSTOMER SERVICE SYSTEMS | | MAX RECOMMENDED OPERATING TEMPERATURE: 105°C [221°F] | THIS DRAWING IS A CONTROLLED DOCUMENT. | | DWN RAVI S 05DEC2017 | TE Connectivity | | | | |
| FOR ADDITIONAL PRODUCT INFORMATION OR COPIES OF DRAWINGS AND TECHNICAL DOCUMENTS | PRODUCT INFORMATION CENTER 1-800-522-6752 | VOLTAGE RATING: 300 V MAX | DIMENSIONS: mm [INCHES] | TOLERANCES UNLESS OTHERWISE SPECIFIED: | CHK ROHDE DANIEL F 05DEC2017 | | | | NAME TERMINAL, PIDG, SPRING SPADE, 12-10 | |
| FOR APPLICATION TOOLING INFORMATION | TOOLING ASSISTANCE CENTER 1-800-722-1111 | CIRCULAR MIL AREA: 2.62-6.64mm² [5,180-13,100] SOLID OR STRANDED | | 0 PLC ± - 1 PLC ± - 2 PLC ± - 3 PLC ± 0.127[.005] 4 PLC ± - ANGLES ± - | APVD ROHDE DANIEL F 05DEC2017 | PRODUCT SPEC UL 486 A-B | SIZE | CAGE CODE | DRAWING NO | RESTRICTED TO |
| FOR ORDER ENTRY | 1-800-526-5142 | THIS DRAWING IS A CONTROLLED DOCUMENT FOR AMP INCORPORATED. IT IS SUBJECT TO CHANGE AND THE CONTROLLING ENGINEERING ORGANIZATION SHOULD BE CONTACTED FOR THE LATEST REVISION. | MATERIAL 5 | FINISH 6 | PRODUCT SPEC 114-2157 | WEIGHT - | A3 | 00779 | C=52941 | - |
| CUSTOMER DRAWING | | | | | | SCALE 8:1 | SHEET 1 OF 1 | REV K1 | | |

Mouser Electronics

Authorized Distributor

Click to View Pricing, Inventory, Delivery & Lifecycle Information:

[TE Connectivity:](#)

[52941-1](#)