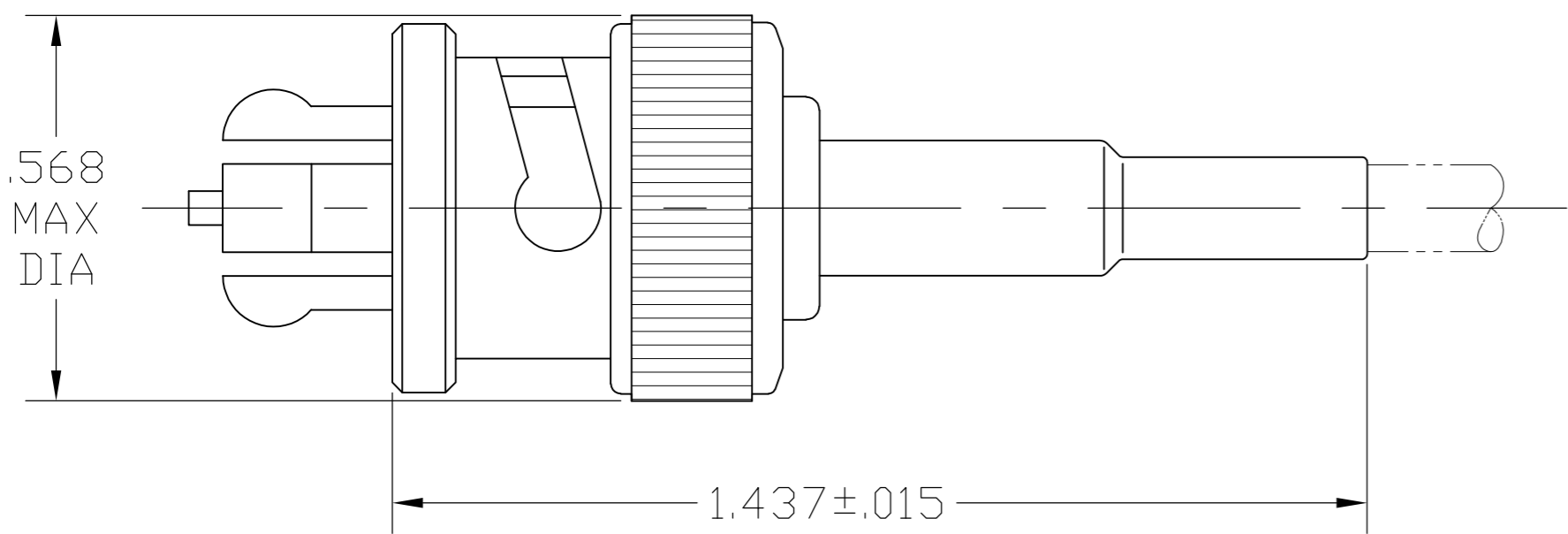
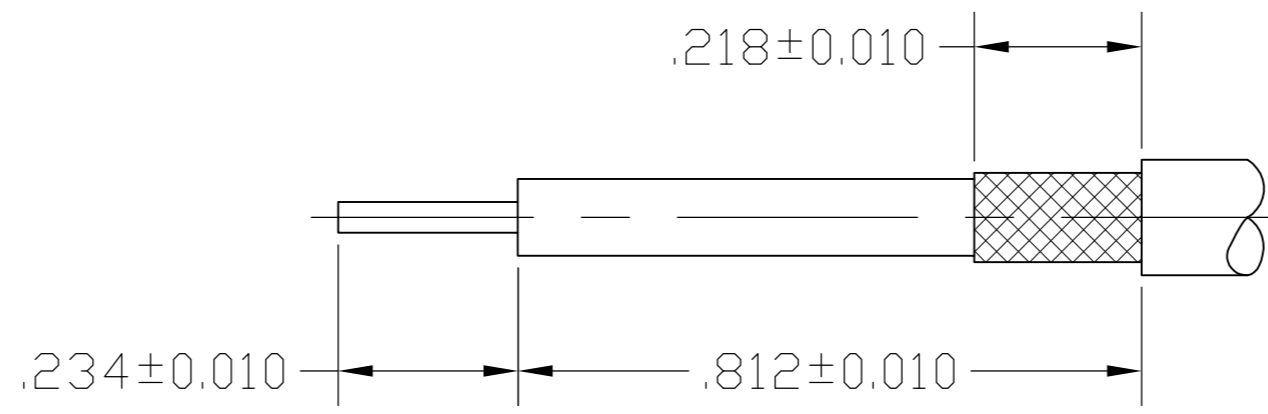


THIS DRAWING IS UNPUBLISHED. RELEASED FOR PUBLICATION
 © COPYRIGHT - By - ALL RIGHTS RESERVED.

LOC	DIST	REVISIONS					
		P	LTR	DESCRIPTION	DATE	DWN	APVD
AJ	16		A2	REVISED PER ECO-11-005030	11MAR11	RK	HMR



1. SEE INSTRUCTION SHEET 408-2187



RECOMMENDED STRIP LENGTH

RG-174/U & RG-188/U	-	220009-1	21427-5	9-328666-0	225418-3	51437-6	5051426-8
RG-59/U, 59A/U, 59B/U, 62/U, 62A/U & 62B/U	.496	220022-2	-	9-50428-0	51475-3	51437-4	5051426-5
RG-58A/U & RG-58C/U	.512	220022-1	-	9-50427-1	51427-3	51437-3	5051426-4
RG-59/U, 59A/U, 59B/U, 62/U, 62A/U & 62B/U	-	220022-2	-	9-50428-4	51475-3	51437-2	5051426-2
RG-58A/U & RG-58C/U	.458	220022-1	-	9-50427-3	51427-3	51437-1	5051426-1
CABLE SIZE	WEIGHT (OZ)	CRIMP TOOL	④ BUSHING QTY=1	③ FERRULE QTY=1	② CONTACT QTY=1	① PLUG ASSY QTY=1	PART NUMBER

THIS DRAWING IS A CONTROLLED DOCUMENT.

DWN	J. HAVENER	24JAN2005
CHK	J. HAVENER	24JAN2005
APVD	J. LIPPERT	24JAN2005

TE Connectivity

CONNECTOR, COAXIAL, PLUG, SERIES SHV

SIZE	A2	CAGE CODE	00779	DRAWING NO	C=5051426	RESTRICTED TO	-
SCALE	4:1	SHEET	1 of 1	REV	A2		

CUSTOMER DRAWING

Mouser Electronics

Authorized Distributor

Click to View Pricing, Inventory, Delivery & Lifecycle Information:

[TE Connectivity:](#)

[5051426-2](#)