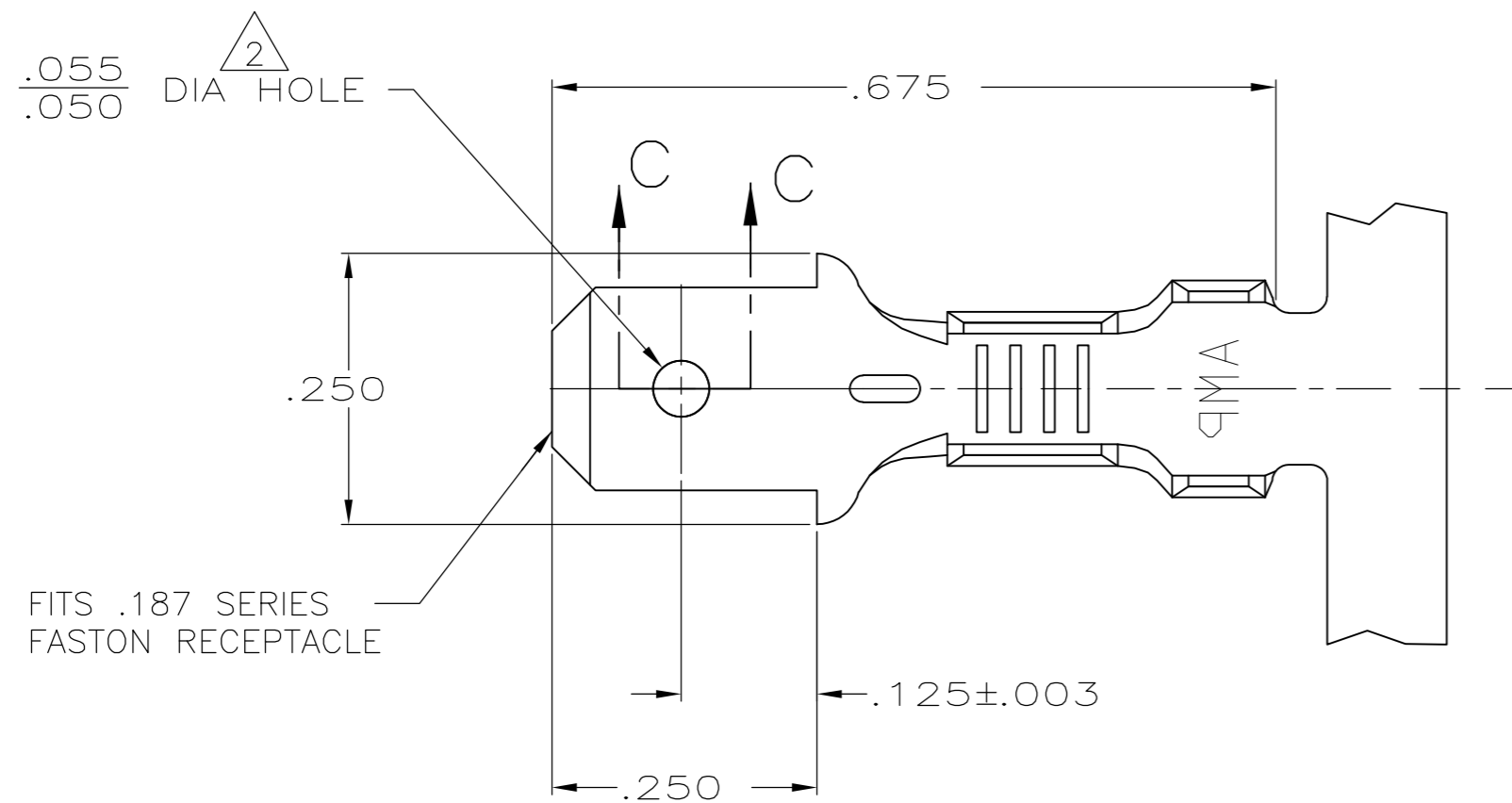
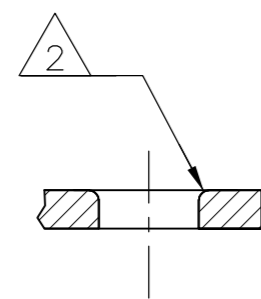
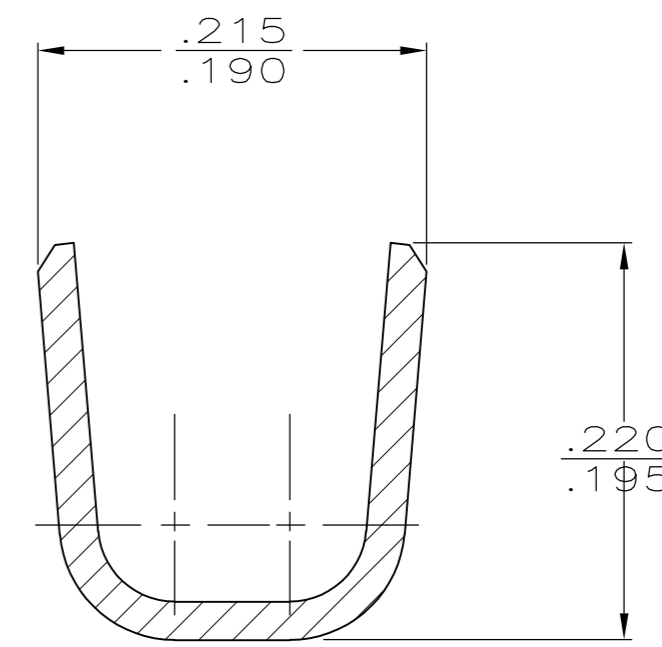
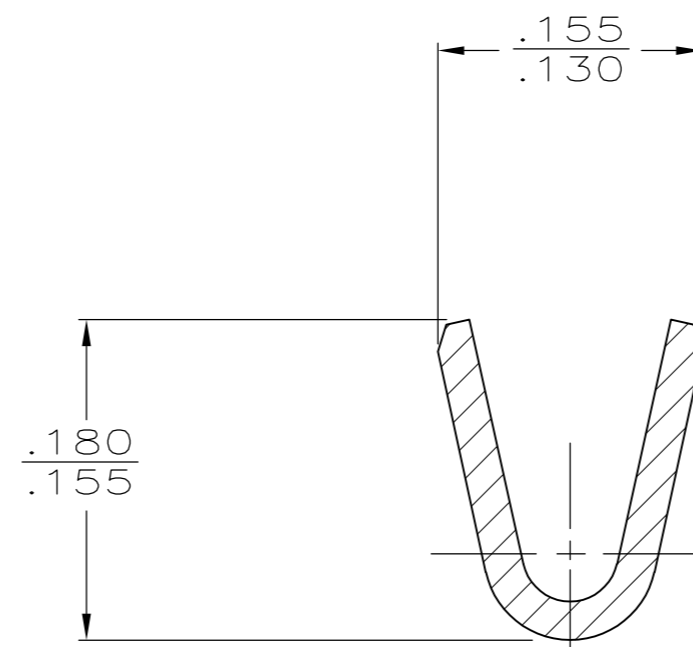
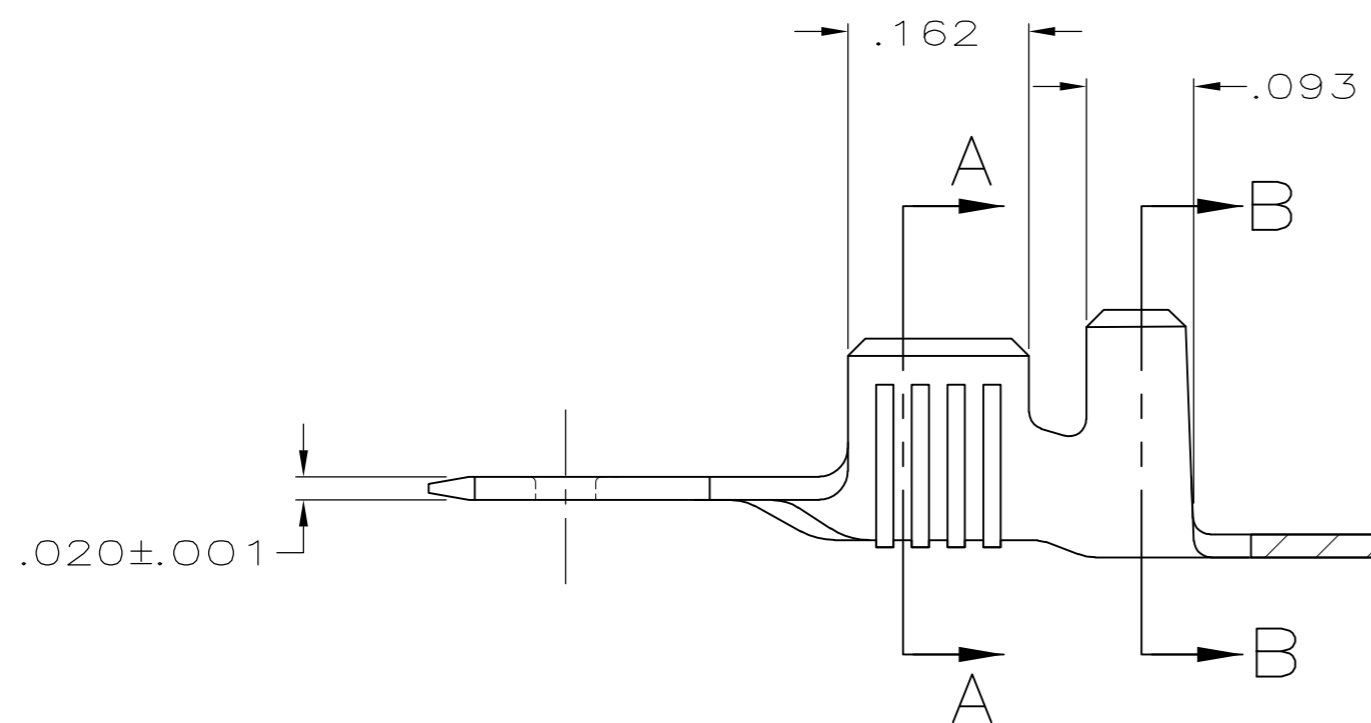


THIS DRAWING IS UNPUBLISHED. RELEASED FOR PUBLICATION  
 © COPYRIGHT - By - ALL RIGHTS RESERVED.

LOC	DIST	REVISIONS			
P	LTR	DESCRIPTION	DATE	DWN	APVD
AF	50	N	REVISED PER ECR-13-011489	06DEC2013	KH PD



- 1 CONTINUOUS STRIP ON REEL.
- 2 NO BURRS PERMISSIBLE AT HOLE. .005 MAX RADIUS PERMISSIBLE ON TOP.



SECTION C-C  
SCALE 10:1

TIN	.120-.150	18-14	60850-2
FINISH	INSULATION RANGE	WIRE RANGE	PART NO
	.120-.150	18-14	60850-1

0	.180	.218	F	.110	.085	14	THIS DRAWING IS A CONTROLLED DOCUMENT. DIMENSIONS: INCHES 	TOLERANCES UNLESS OTHERWISE SPECIFIED: 0 PLC ± - 1 PLC ± - 2 PLC ± - 3 PLC ± .015 4 PLC ± - ANGLES ± - FINISH SEE TABLE
					.076	16		
					.071	18		
TYPE	WIDTH	STRIP LENGTH ±.015	TYPE	WIDTH	±.002 HEIGHT	WIRE		
INSUL BARREL CRIMP			WIRE BARREL CRIMP					
							MATERIAL	BRASS

DWN	JR RUTH	2/16/89	TE Connectivity TAB,FASTON,.187 SERIES™			
CHK	MS FEHER	2/16/89				
APVD	C MEYERS	2/17/89				
PRODUCT SPEC						
APPLICATION SPEC						
WEIGHT	-		SIZE	CAGE CODE	DRAWING NO	RESTRICTED TO
CUSTOMER DRAWING			A2	00779	C=60850	-
			SCALE	6:1	SHEET	1 of 1
					REV	N