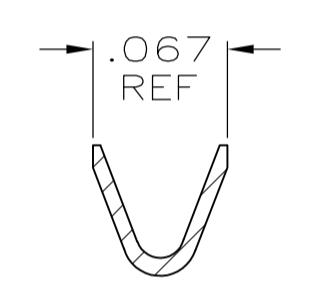
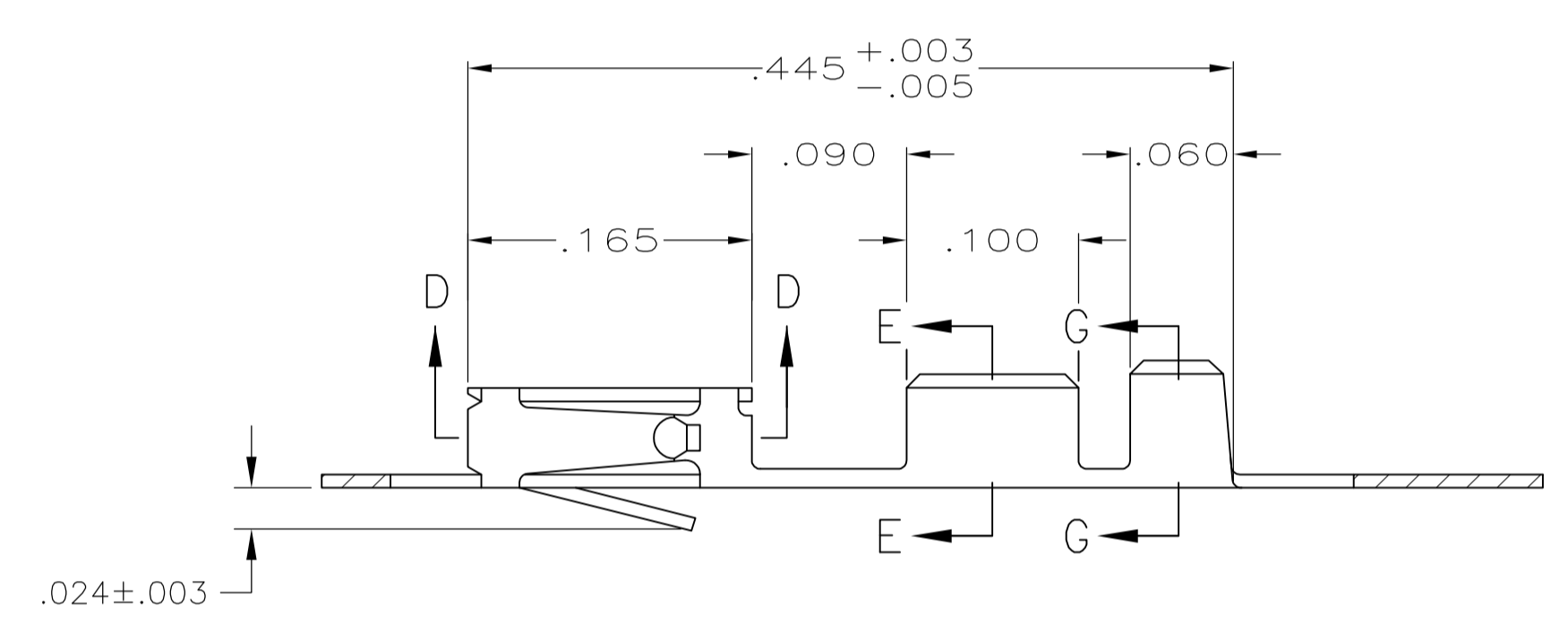
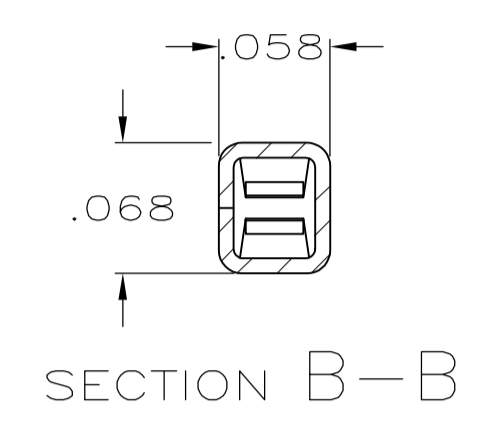
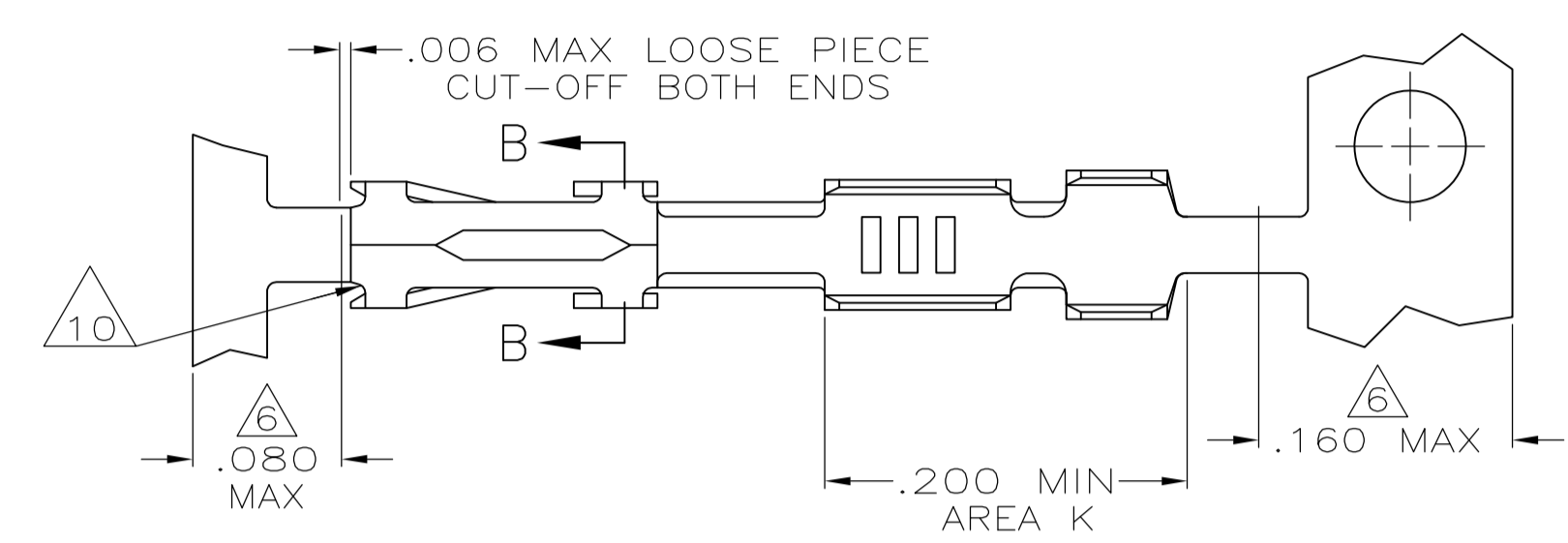
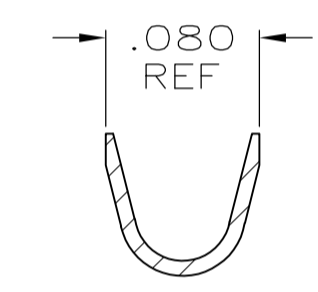


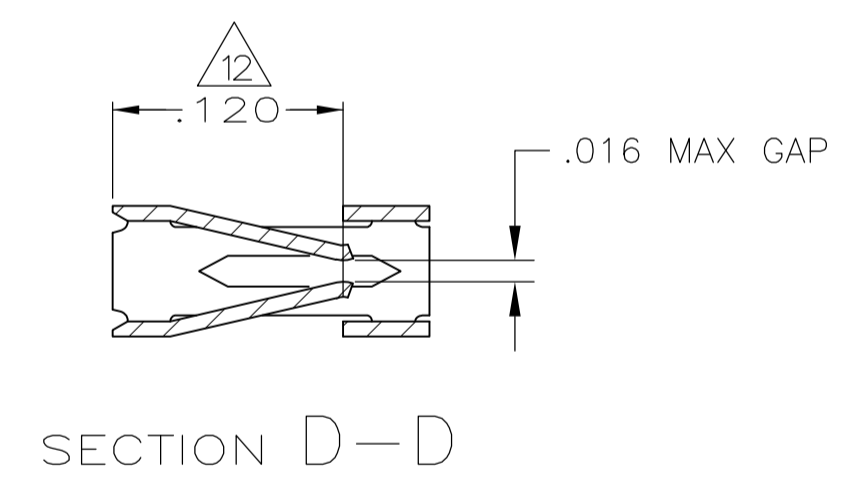
- 1 REELED FOR MINI-APPLICATOR.
- 2 GOLD FLASH OVER NICKEL, .000015 GOLD ON CONTACT AREA.
- 3 GOLD FLASH OVER NICKEL, .000030 GOLD ON CONTACT AREA.
- 4 PREPLATED 0.00127-0.00381 (.000050-.000150) BRIGHT TIN.
- 5 .000050 NICKEL ON ENTIRE CONTACT, .000015 GOLD IN CONTACT AREA.
- 6 GOLD PLATING NOT REQUIRED IN THIS AREA.
- 7 SHEARED EDGES PERMITTED TO BE UNPLATED.
- 8 .000050 NICKEL ENTIRE CONTACT, .000015 GOLD ON CONTACT AREA, .000100-.000200 BRIGHT TIN LEAD IN AREA K.
- 9 GOLD FLASH OVER NICKEL, .000050 GOLD ON CONTACT AREA.
- 10 CUT OUTS ON BOX AT MANUFACTURER'S OPTION.
- 11 .000030 GOLD IN CONTACT AREA, .000100-.000200 BRIGHT TIN-LEAD IN AREA K, ALL OVER .000050 NICKEL.
- 12 POINT OF MEASUREMENT FOR PLATING THICKNESS (INSIDE BEAMS).
- 13 .000030 GOLD IN CONTACT AREA, .000100-.000200 TIN IN AREA K, ALL OVER .000050 NICKEL.
- 14 .000050 NICKEL ENTIRE CONTACT, .000015 GOLD ON CONTACT AREA, .000100-.000200 TIN IN AREA K.



WIRE SIZE #22-#26  
SECTION E-E



INSULATION RANGE .061 MAX  
SECTION G-G



SECTION D-D

LOOSE PIECE	REF	6-87756-8
REELED	REF	6-87756-7
LOOSE PIECE	REF	6-87756-6
REELED	REF	6-87756-2
LOOSE PIECE	REF	1-87756-8
REELED	REF	1-87756-7
LOOSE PIECE	REF	1-87756-6
OBSOLETE	REF	1-87756-4
REELED	REF	1-87756-2
REELED	REF	1-87756-1
OBSOLETE	REF	1-87756-0
LOOSE PIECE	REF	87756-7
REELED	REF	87756-6
LOOSE PIECE	REF	87756-5
REELED	REF	87756-4
LOOSE PIECE	REF	87756-3
REELED	REF	87756-2
DESCRIPTION	FINISH	PART NUMBER

THIS DRAWING IS A CONTROLLED DOCUMENT.

DIMENSIONS: INCHES	TOLERANCES UNLESS OTHERWISE SPECIFIED:	DWN: L.D. RINGLEY 12-10-85	TE Connectivity CONTACT, FEMALE, MOD IV, CRIMP SNAP-IN
		CHK: J. GESFORD 12-16-85	
		APVD: J. GESFORD 12-16-85	
		NAME: J. GESFORD	
		PRODUCT SPEC: 108-25,020	RESTRICTED TO:
		APPLICATION SPEC: 114-25,003	SIZE: A1
MATERIAL: .008 THK CU-SN-P ALLOY 521	FINISH: SEE TABLE	WEIGHT: -	SCALE: 10:1
		CUSTOMER DRAWING	SHEET 1 OF 1 REV T2

# Mouser Electronics

Authorized Distributor

Click to View Pricing, Inventory, Delivery & Lifecycle Information:

[TE Connectivity:](#)

[87756-4](#) [87756-4 \(Loose Piece\)](#)