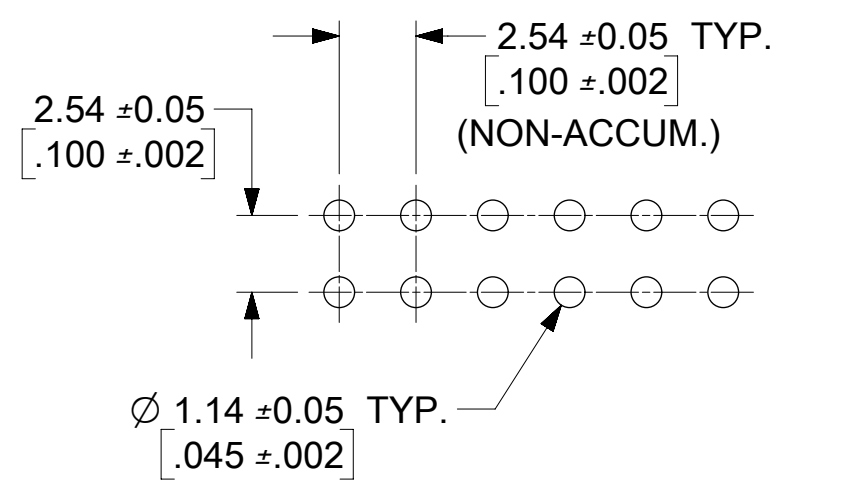
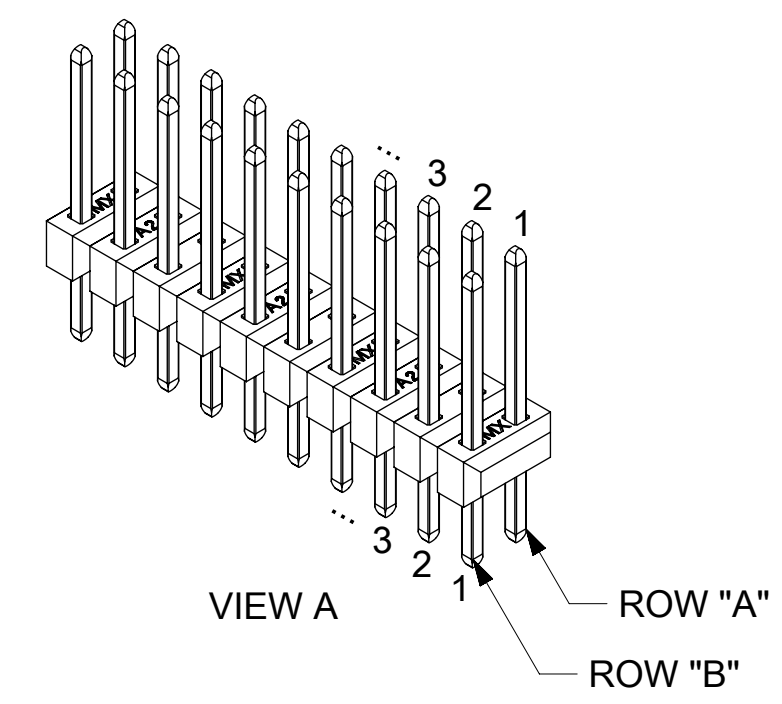


SECTION Z-Z - RETENTION PIN DETAIL  
2 CONTACTS LOCATED ON CENTER OF SAME ROW  
(SEE NOTE 6)



- NOTES:**
- MATERIAL: WAFER - GLASS FILLED LIQUID CRYSTAL POLYMER, UL94V-0, COLOR: BLACK  
PIN - COPPER ALLOY
  - FINISH: (TIN) OVERALL TIN: 0.00381/[.000150] MIN., OVERALL NICKEL UNDERPLATE: 0.00127/[.000050] MIN.  
(15 GOLD) SELECT GOLD: 0.00038/[.000015] MIN., SELECT TIN: 0.00191/[.000075] MIN., OVERALL NICKEL UNDERPLATE: 0.00127/[.000050] MIN.  
(30 GOLD) SELECT GOLD: 0.00076/[.000030] MIN., SELECT TIN: 0.00191/[.000075] MIN., OVERALL NICKEL UNDERPLATE: 0.00127/[.000050] MIN.
  - PRODUCT SPECIFICATION: PS-70280
  - PACKAGING INFORMATION: (UNLESS OTHERWISE NOTED IN TABLES)  
PARTS TO BE PACKAGED PER PK-70873-0353.
  - MEASURE POINT FOR PLATING THICKNESS. DIMENSION D IS ALSO THE MEASURE POINT FOR PIN WIDTH.
  - RETENTIVE TAIL LOCATIONS (SEE VIEW "A")

NUMBER OF CIRCUITS IN ROW B	RETENTIVE TAIL LOCATIONS
EVEN NUMBER	2 PINS IN THE MIDDLE OF ROW B
ODD NUMBER	PIN IN THE CENTER OF ROW B AND ONE OTHER PIN IN ROW B ON EITHER SIDE OF THE CENTER PIN

- PIN PUSHOUT FORCE: 3 LBS. MIN. (IN EITHER DIRECTION)
- FOR ILLUSTRATION PURPOSES, 20 (DUAL 10) CIRCUIT SIZE IS SHOWN.
- PINS MUST MEET SOLDERABILITY SPEC. SMES-152, EXCEPT VOIDS ARE PERMISSIBLE AT BANDOLIERS PIN FAYING SURFACE. (APPROXIMATELY 0.64/[.025] LNG X 0.15/[.006] WIDE AT 2 LOCATIONS)
- PARTS CONFORM TO CLASS B REQUIREMENTS OF COSMETIC SPECIFICATION PS-45499-002.

CKT. SIZE	DIM. A REF.		DIM. B REF.	
	MM	INCH	MM	INCH
4	5.08	.200	2.54	.100
6	7.62	.300	5.08	.200
8	10.16	.400	7.62	.300
10	12.70	.500	10.16	.400
12	15.24	.600	12.70	.500
14	17.78	.700	15.24	.600
16	20.32	.800	17.78	.700
18	22.86	.900	20.32	.800
20	25.40	1.000	22.86	.900
22	27.94	1.100	25.40	1.000
24	30.48	1.200	27.94	1.100
26	33.02	1.300	30.48	1.200
28	35.56	1.400	33.02	1.300
30	38.10	1.500	35.56	1.400
32	40.64	1.600	38.10	1.500
34	43.18	1.700	40.64	1.600
36	45.72	1.800	43.18	1.700
38	48.26	1.900	45.72	1.800
40	50.80	2.000	48.26	1.900
42	53.34	2.100	50.80	2.000
44	55.88	2.200	53.34	2.100
46	58.42	2.300	55.88	2.200
48	60.96	2.400	58.42	2.300
50	63.50	2.500	60.96	2.400
52	66.04	2.600	63.50	2.500
54	68.58	2.700	66.04	2.600
56	71.12	2.800	68.58	2.700
58	73.66	2.900	71.12	2.800
60	76.20	3.000	73.66	2.900
62	78.74	3.100	76.20	3.000
64	81.28	3.200	78.74	3.100
66	83.82	3.300	81.28	3.200
68	86.36	3.400	83.82	3.300
70	88.90	3.500	86.36	3.400
72	91.44	3.600	88.90	3.500
74	93.98	3.700	91.44	3.600
76	96.52	3.800	93.98	3.700
78	99.06	3.900	96.52	3.800
80	101.06	4.000	99.06	3.900
82	104.14	4.100	101.06	4.000
84	106.68	4.200	104.14	4.100
86	109.22	4.300	106.68	4.200
88	111.76	4.400	109.22	4.300
90	114.30	4.500	111.76	4.400
92	116.84	4.600	114.30	4.500
94	119.38	4.700	116.84	4.600
96	121.92	4.800	119.38	4.700
98	124.46	4.900	121.92	4.800
100	127.00	5.000	124.46	4.900

THIS DRAWING CONTAINS INFORMATION THAT IS PROPRIETARY TO MOLEX ELECTRONIC TECHNOLOGIES, LLC AND SHOULD NOT BE USED WITHOUT WRITTEN PERMISSION

DIMENSION UNITS: MM/INCH	SCALE: 4:1	CURRENT REV/DESC: MIGRATED TO NX
GENERAL TOLERANCES (UNLESS SPECIFIED)		EC NO: 614461 DRWN: ABABU01 2019/03/13 CHK'D: NMANE02 2019/03/26 APPR: MRAMAKRISHNA 2019/03/26
4 PLACES ±	±	
3 PLACES ±	± 0.005	INITIAL REVISION:
2 PLACES ±	0.13 ± 0.01	DRWN: MKIPPER 2009/11/02 APPR: FSMITH 2009/11/02
1 PLACE ±	0.25 ±	THIRD ANGLE PROJECTION
0 PLACES ±	±	DRAWING: C-SIZE
ANGULAR TOL ±	0.5 °	SERIES: 70287
DRAFT WHERE APPLICABLE MUST REMAIN WITHIN DIMENSIONS		MATERIAL NUMBER: SEE CHART CUSTOMER: GENERAL MARKET SHEET NUMBER: 1 OF 3

**molex**

SALES ASSY-HIGH TEMP.  
DUAL ROW, .025" SQ PINS .100" GRID W/ RET. PINS

PRODUCT CUSTOMER DRAWING

DOCUMENT NUMBER: SD-70287-004  
DOC TYPE: PSD  
DOC PART: 001  
REVISION: A1

ENG. NO: A-70287-1000 / 1048			
DIM. C		6.10/[.240]	
DIM. E (REF.)		3.18/[.125]	
DIM. L (REF.)		11.56/[.455]	
MATING SIDE PLATING		TIN	
DIM. D (MEASURE PT.)		2.54/[.100]	
P.C. BOARD SIDE PLATING		TIN	
DIM. F (MEASURE PT.)		1.27/[.050]	
RETENTIVE PIN LOCATION		SEE NOTE 6, SHEET 1	
PACKAGING		BULK - PK-70873-0353	
CKTS	MATERIAL NUMBER	CKTS	MATERIAL NUMBER
04	70287-1000	54	70287-1025
06	70287-1001	56	70287-1026
08	70287-1002	58	70287-1027
10	70287-1003	60	70287-1028
12	70287-1004	62	70287-1029
14	70287-1005	64	70287-1030
16	70287-1006	66	70287-1031
18	70287-1007	68	70287-1032
20	70287-1008	70	70287-1033
22	70287-1009	72	70287-1034
24	70287-1010	74	70287-1035
26	70287-1011	76	70287-1036
28	70287-1012	78	70287-1037
30	70287-1013	80	70287-1038
32	70287-1014	82	70287-1039
34	70287-1015	84	70287-1040
36	70287-1016	86	70287-1041
38	70287-1017	88	70287-1042
40	70287-1018	90	70287-1043
42	70287-1019	92	70287-1044
44	70287-1020	94	70287-1045
46	70287-1021	96	70287-1046
48	70287-1022	98	70287-1047
50	70287-1023	100	70287-1048
52	70287-1024		

ENG. NO: A-70287-1098 / 1146			
DIM. C		6.10/[.240]	
DIM. E (REF.)		3.18/[.125]	
DIM. L (REF.)		11.56/[.455]	
MATING SIDE PLATING		15 GOLD	
DIM. D (MEASURE PT.)		2.54/[.100]	
P.C. BOARD SIDE PLATING		TIN	
DIM. F (MEASURE PT.)		1.27/[.050]	
RETENTIVE PIN LOCATION		SEE NOTE 6, SHEET 1	
PACKAGING		BULK - PK-70873-0353	
CKTS	MATERIAL NUMBER	CKTS	MATERIAL NUMBER
04	70287-1098	54	70287-1123
06	70287-1099	56	70287-1124
08	70287-1100	58	70287-1125
10	70287-1101	60	70287-1126
12	70287-1102	62	70287-1127
14	70287-1103	64	70287-1128
16	70287-1104	66	70287-1129
18	70287-1105	68	70287-1130
20	70287-1106	70	70287-1131
22	70287-1107	72	70287-1132
24	70287-1108	74	70287-1133
26	70287-1109	76	70287-1134
28	70287-1110	78	70287-1135
30	70287-1111	80	70287-1136
32	70287-1112	82	70287-1137
34	70287-1113	84	70287-1138
36	70287-1114	86	70287-1139
38	70287-1115	88	70287-1140
40	70287-1116	90	70287-1141
42	70287-1117	92	70287-1142
44	70287-1118	94	70287-1143
46	70287-1119	96	70287-1144
48	70287-1120	98	70287-1145
50	70287-1121	100	70287-1146
52	70287-1122		

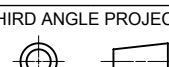
ENG. NO: A-70287-1196 / 1244			
DIM. C		6.10/[.240]	
DIM. E (REF.)		3.18/[.125]	
DIM. L (REF.)		11.56/[.455]	
MATING SIDE PLATING		30 GOLD	
DIM. D (MEASURE PT.)		2.54/[.100]	
P.C. BOARD SIDE PLATING		TIN	
DIM. F (MEASURE PT.)		1.27/[.050]	
RETENTIVE PIN LOCATION		SEE NOTE 6, SHEET 1	
PACKAGING		BULK - PK-70873-0353	
CKTS	MATERIAL NUMBER	CKTS	MATERIAL NUMBER
04	70287-1196	54	70287-1221
06	70287-1197	56	70287-1222
08	70287-1198	58	70287-1223
10	70287-1199	60	70287-1224
12	70287-1200	62	70287-1225
14	70287-1201	64	70287-1226
16	70287-1202	66	70287-1227
18	70287-1203	68	70287-1228
20	70287-1204	70	70287-1229
22	70287-1205	72	70287-1230
24	70287-1206	74	70287-1231
26	70287-1207	76	70287-1232
28	70287-1208	78	70287-1233
30	70287-1209	80	70287-1234
32	70287-1210	82	70287-1235
34	70287-1211	84	70287-1236
36	70287-1212	86	70287-1237
38	70287-1213	88	70287-1238
40	70287-1214	90	70287-1239
42	70287-1215	92	70287-1240
44	70287-1216	94	70287-1241
46	70287-1217	96	70287-1242
48	70287-1218	98	70287-1243
50	70287-1219	100	70287-1244
52	70287-1220		

THIS DRAWING CONTAINS INFORMATION THAT IS PROPRIETARY TO MOLEX ELECTRONIC TECHNOLOGIES, LLC AND SHOULD NOT BE USED WITHOUT WRITTEN PERMISSION									
DIMENSION UNITS		SCALE		CURRENT REV / DESC: MIGRATED TO NX				<b>molex</b>	
MM/INCH		1:1							
GENERAL TOLERANCES (UNLESS SPECIFIED)				EC NO: 614461		2019/03/13		SALES ASSY-HIGH TEMP. DUAL ROW, .025" SQ PINS .100" GRID W/ RET. PINS	
4 PLACES		±		DRWN: ABABU01		2019/03/26			
3 PLACES		± 0.005		CHK'D: NMANE02		2019/03/26		PRODUCT CUSTOMER DRAWING	
2 PLACES		± 0.13 ± 0.01		APPR: MRAMAKRISHNA		2019/03/26			
1 PLACE		± 0.25 ±		INITIAL REVISION:				DOCUMENT NUMBER	
0 PLACES		±		DRWN: MKIPPER					
ANGULAR TOL		± 0.5 °		APPR: FSMITH		2009/11/02		SD-70287-004	
DRAFT WHERE APPLICABLE MUST REMAIN WITHIN DIMENSIONS				THIRD ANGLE PROJECTION		DRAWING		SERIES	
						C-SIZE		70287	
MATERIAL NUMBER		CUSTOMER		DOC TYPE		DOC PART		REVISION	
SEE CHART		GENERAL MARKET		PSD		001		A1	
SHEET NUMBER								2 OF 3	

DOCUMENT STATUS	P1	RELEASE DATE	2019/03/26	12:56:10
-----------------	----	--------------	------------	----------

ENG. NO: A-70287-1294			
DIM. C		6.10/[.240]	
DIM. E (REF.)		3.18/[.125]	
DIM. L (REF.)		11.56/[.455]	
MATING SIDE PLATING		TIN	
DIM. D (MEASURE PT.)		2.54/[.100]	
P.C. BOARD SIDE PLATING		TIN	
DIM. F (MEASURE PT.)		1.27/[.050]	
RETENTIVE PIN LOCATION		ROW B - CKTS 1, 5 (SEE NOTE 6, SHEET 1)	
PACKAGING		BULK - PK-70873-0353	
VOID PIN LOCATION			
CKTS	MATERIAL NUMBER	ROW	LOCATION
10	70287-1294	A	2, 3
		B	2, 3

ENG. NO: A-70287-1295			
DIM. C		5.84/[.230]	
DIM. E (REF.)		2.97/[.117]	
DIM. L (REF.)		11.10/[.437]	
MATING SIDE PLATING		15 GOLD	
DIM. D (MEASURE PT.)		2.54/[.100]	
P.C. BOARD SIDE PLATING		TIN	
DIM. F (MEASURE PT.)		1.27/[.050]	
RETENTIVE PIN LOCATION		ROW B - CKTS 3, 4 (SEE NOTE 6, SHEET 1)	
PACKAGING		BULK - PK-70873-0353	
VOID PIN LOCATION			
CKTS	MATERIAL NUMBER	ROW	LOCATION
10	70287-1295	A	1

THIS DRAWING CONTAINS INFORMATION THAT IS PROPRIETARY TO MOLEX ELECTRONIC TECHNOLOGIES, LLC AND SHOULD NOT BE USED WITHOUT WRITTEN PERMISSION									
DIMENSION UNITS		SCALE		CURRENT REV DESC: MIGRATED TO NX				<b>molex</b>	
MM/INCH		1:1							
GENERAL TOLERANCES (UNLESS SPECIFIED)				EC NO: 614461		2019/03/13		SALES ASSY-HIGH TEMP. DUAL ROW, .025" SQ PINS .100" GRID W/ RET. PINS	
4 PLACES		±		DRWN: ABABU01		2019/03/26			
3 PLACES		± 0.005		CHK'D: NMANE02		2019/03/26		PRODUCT CUSTOMER DRAWING	
2 PLACES		± 0.13 ± 0.01		APPR: MRAMAKRISHNA		2019/03/26			
1 PLACE		± 0.25 ±		INITIAL REVISION:				DOCUMENT NUMBER	
0 PLACES		±		DRWN: MKIPPER		2009/11/02			
ANGULAR TOL		± 0.5 °		APPR: FSMITH		2009/11/02		SD-70287-004	
DRAFT WHERE APPLICABLE MUST REMAIN WITHIN DIMENSIONS				THIRD ANGLE PROJECTION		DRAWING		SERIES	
						C-SIZE		70287	
MATERIAL NUMBER		CUSTOMER		SHEET NUMBER		DOC TYPE		DOC PART	
SEE CHART		GENERAL MARKET		3 OF 3		PSD		001 A1	