

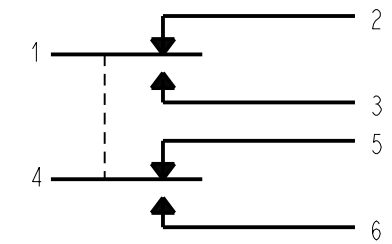
**MICRO SWITCH**  
a Honeywell Division

FED. MFG. CODE 91929

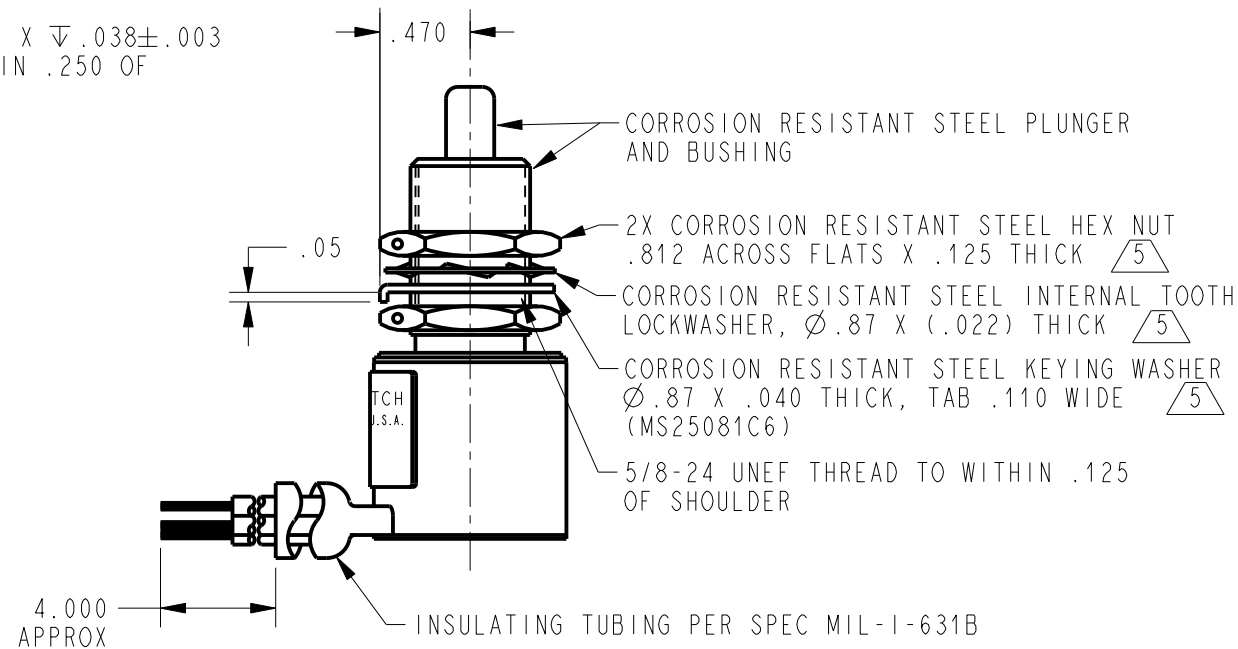
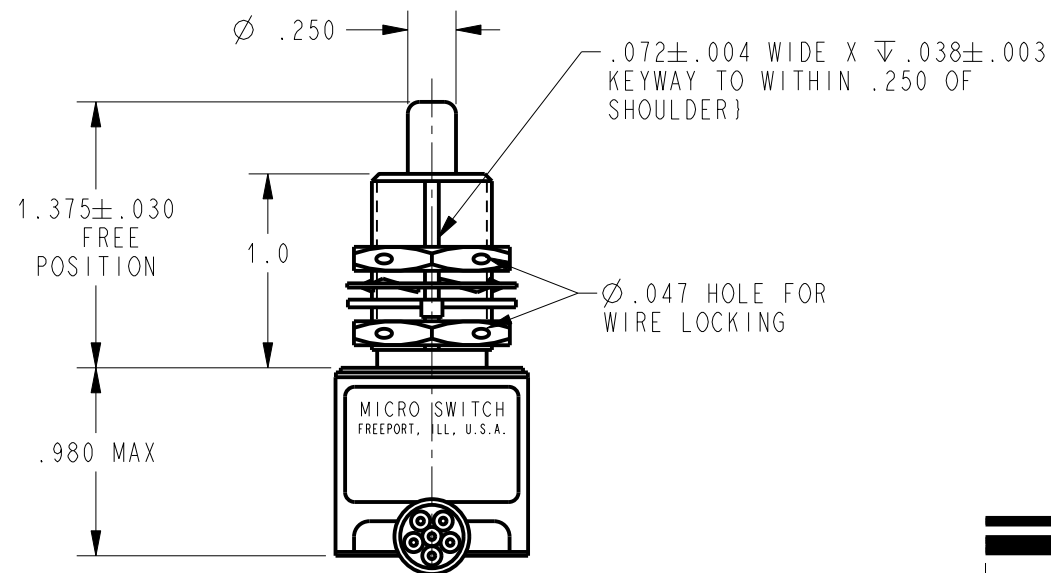
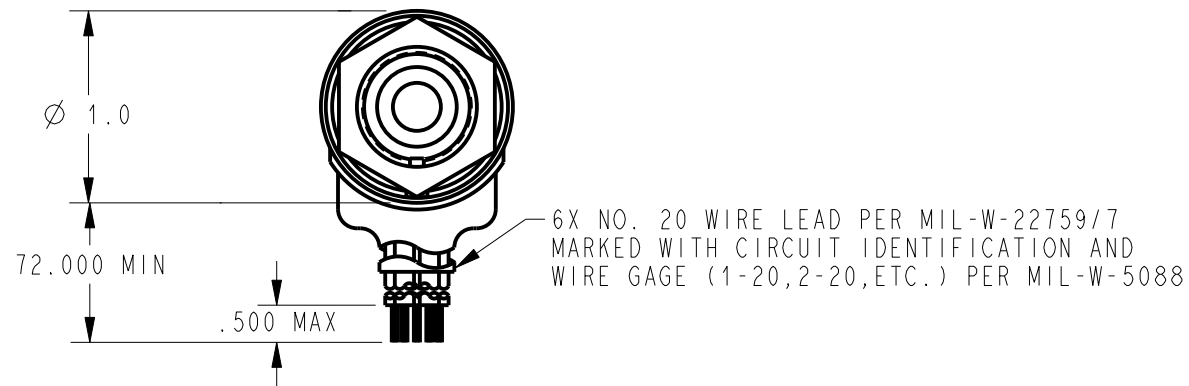
**SWITCH - ENCLOSED**

CATALOG LISTING

**1EN31-6**



CIRCUIT DIAGRAM



1EN31-6  
 CATALOG LISTING  
 PAGE 1 OF 1  
 RELEASE NO. SR-12657  
 REPLACES -  
 ISSUE 23  
 REVISIONS  
 A 0000777  
 C S L  
 10 JUL 03  
 CHECK  
 10 JUL 03  
 CHECK  
 10 JUL 03  
 SAV  
 CHECK  
 10 JUL 03  
 DRAWN  
 PTC/CAD 2D

THIS DRAWING COVERS A PROPRIETARY ITEM AND IS THE PROPERTY OF MICRO SWITCH, A DIVISION OF HONEYWELL. THIS DRAWING IS NOT TO BE COPIED OR USED WITHOUT THE APPROVAL OF MICRO SWITCH

CHARACTERISTICS	
OPERATING FORCE	6-12 LB
FULL OVERTRAVEL FORCE	30 LB MAX
RELEASE FORCE	4 LB MIN
PRETRAVEL	.040 MAX
DIFFERENTIAL TRAVEL	.020 MAX
OVERTRAVEL	.250 MIN

ELECTRICAL DATA		
CONTACT ARRANGEMENT		
2X S P D T		
LOAD	28 VDC	
	SEA LEVEL	50,000 FT.
RES	4	4
IND	2	2
MOTOR	4	
LAMP		

THIRD ANGLE PROJECTION	
SCALE	FULL
DO NOT SCALE PRINT	
UNLESS OTHERWISE SPECIFIED TOLERANCES ARE	
ONE PLACE	(.0) ±.030
TWO PLACE	(.00) ±.015
THREE PLACE	(.000) ±.005
ANGLES	±
WEIGHT	9.25 OZ MAX

- NOTES
- 1 - CORROSION RESISTANT STEEL ENCLOSURE
  - 2 - SWITCH SEALED PER MIL-PRF-8805 SYMBOL 4
  - 3 - COINCIDENCE OF OPERATING AND RELEASING POINTS: .010 OF PLUNGER TRAVEL
  - 4 - CIRCUIT DIAGRAM AND CATALOG LISTING ARE SHOWN ON NAMEPLATE
  - 5 - HARDWARE MAY BE PACKAGED UNASSEMBLED PER MIL-PRF-8805

ANSI Y14.5M-1982 APPLIES

# Mouser Electronics

Authorized Distributor

Click to View Pricing, Inventory, Delivery & Lifecycle Information:

[Honeywell:](#)

[1EN31-6](#)