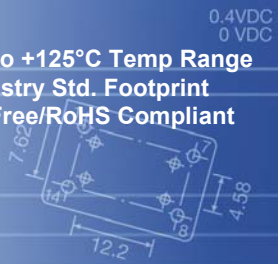


- ▶ -55 to +125°C Temp Range
- ▶ Industry Std. Footprint
- ▶ Pb Free/RoHS Compliant

CSM-7X-DU SMD CRYSTAL



OPERATING CONDITIONS / ELECTRICAL CHARACTERISTICS

PARAMETERS	CONDITIONS	CSM-7X-DU			UNITS
		MIN	TYP	MAX	
Frequency Range		3.57		70.000	MHz
Frequency Tolerance	at +25°C			± 30	ppm
Frequency Stability	-55 to +125°C			± 100	ppm
Shunt Capacitance				7	pF
Load Capacitance	Specify in P/N	10	20	Series	pF
Drive Level				500	µW
Operating Temperature		-55		+125	°C
Storage Temperature		-55		+125	°C
Aging (Per Year)	@ +25°C ±3°C			±5	ppm

EQUIVALENT SERIES RESISTANCE/MODE OF OSCILLATION

FREQUENCY RANGE (MHz)	MODE OF OSC	MAX ESR Ω	FREQUENCY RANGE (MHz)	MODE OF OSC	MAX ESR Ω
3.57 ~ 4.999	Fundamental	150	13.000 ~ 19.999	Fundamental	40
5.000 ~ 5.999	Fundamental	100	20.000 ~ 30.000	Fundamental	30
6.000 ~ 6.999	Fundamental	80	26.000 ~ 39.999	3rd Overtone	100
7.000 ~ 8.999	Fundamental	60	40.000 ~ 70.000	3rd Overtone	80
9.000 ~ 12.999	Fundamental	50			

DIMENSIONS (mm)

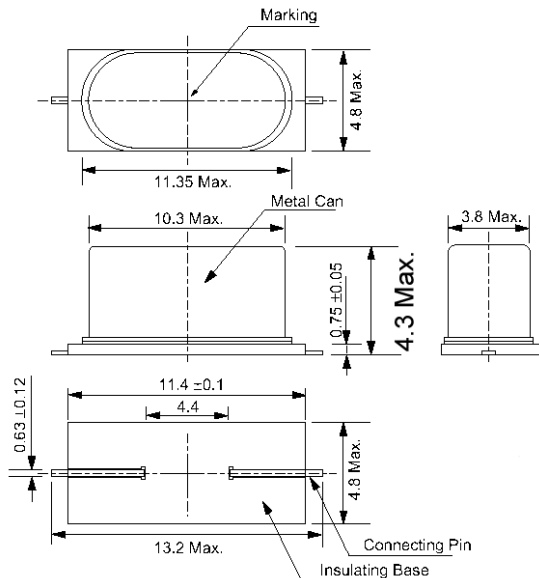


Figure 1) Top, Side, Bottom and End views

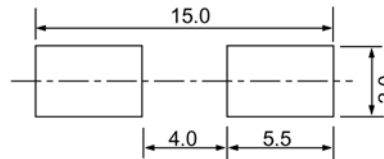


Figure 2) Suggested Land Pattern

PART NUMBERING GUIDE: Example ECS-200-20-5PXDU-TR

ECS - Frequency Abbreviation - Load Capacitance - Package

Stability

Temperature

- Packaging

200 = 20.000 MHz
See P/N Guide

20 = 20 pF
S=Series

5PX = CSM-7X

D= ± 100 ppm

U= -55 ~ +125°C

TR= Tape & Reel
1K/Reel

Mouser Electronics

Authorized Distributor

Click to View Pricing, Inventory, Delivery & Lifecycle Information:

ECS:

[ECS-240-20-5PXDU-TR](#) [ECS-122.8-20-5PXDU-TR](#) [ECS-36-20-5PXDU-TR](#) [ECS-35-18-5PXDU-TR](#) [ECS-250-20-5PXDU-F-TR](#) [ECS-245.7-20-5PXDU-TR](#) [ECS-160-20-5PXDU-TR](#) [ECS-270-20-5PXDU-F-TR](#) [ECS-40-20-5PXDU-TR](#) [ECS-98.3-20-5PXDU-TR](#) [ECS-110.5-20-5PXDU-TR](#) [ECS-80-20-5PXDU-TR](#) [ECS-143-20-5PXDU-TR](#) [ECS-200-20-5PXDU-TR](#) [ECS-120-32-5PXDU-TR](#) [ECS-60-20-5PXDU-TR](#) [ECS-184-20-5PXDU-TR](#) [ECS-147.4-20-5PXDU-TR](#) [ECS-120-18-5PXDU-TR](#) [ECS-120-18-5P](#) [ECS-196-20-5P-TR](#) [ECS-36-20-5P](#) [ECS-250-14-5P-DN-TR](#) [ECS-160-20-5P](#) [ECS-250-18-5P-TR](#) [ECS-250-20-5P-DN-TR](#) [ECS-65.5-S-5P-TR](#) [ECS-180-S-5P-DN-TR](#) [ECS250-18-5P-TR](#) [ECS-200-20-5PL-TR](#)