
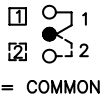
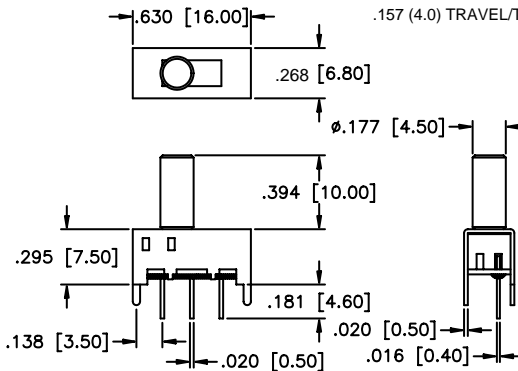
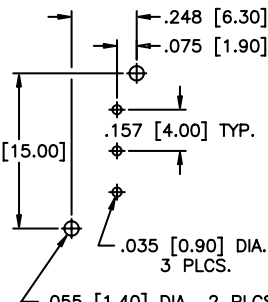

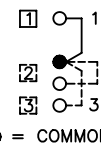
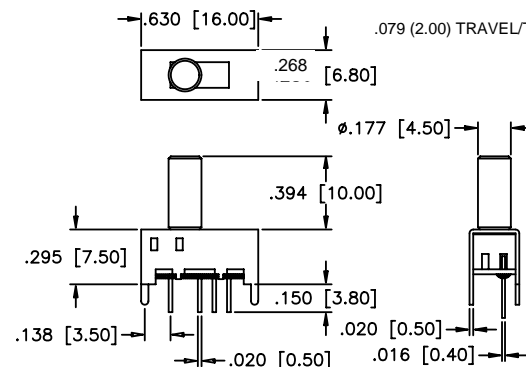
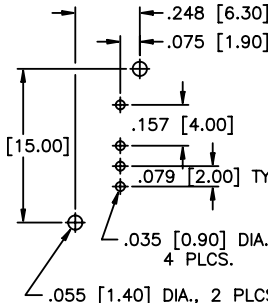


MHS Series

Miniature Slide Switches

with aluminum actuator

SPECIFICATIONS	FEATURES
<p>Contact rating: 300 mA at 30 VDC</p> <p>Initial contact resistance: 20 milliohms max.</p> <p>Insulation resistance: 100 megohms min. at 500 VDC</p> <p>Dielectric strength: 500 VAC for 1 minute</p> <p>Electrical life: 10,000 cycles min.</p> <p>Operating temperature range: -20°C to +85°C</p> <p>Solder heat resistance: 260°C max. for 3 seconds</p> <p>Actuation force: 250 ±150 grams</p> <p>Solvent washing permissible</p>	<ul style="list-style-type: none"> ● Miniature compact size. ● Wash-through open frame construction. ● Positive spring loaded ball detent mechanism. ● Epoxy sealed terminals.
MATERIALS	
<p>Contacts & terminals: Silver plated brass</p> <p>Housing: Tin plated steel</p> <p>Actuator: Aluminum alloy</p> <p>Base: Phenolic laminated sheet</p>	<p>Terminal seal: Epoxy</p>

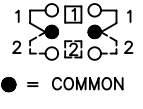
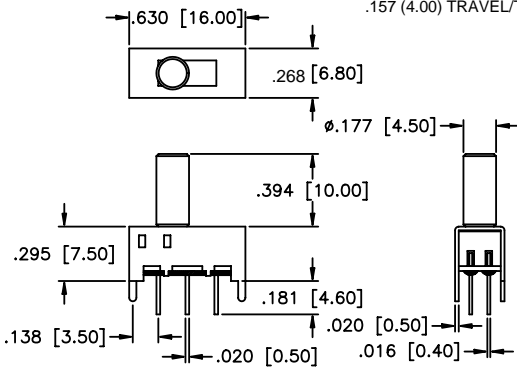
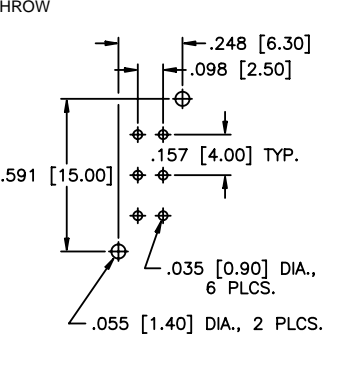
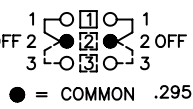
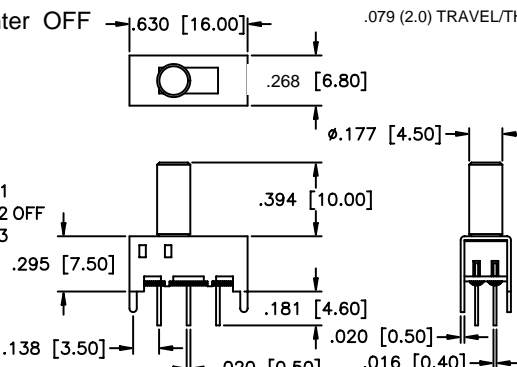
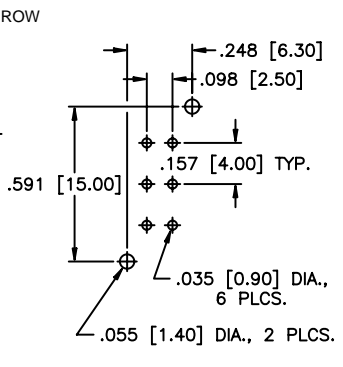
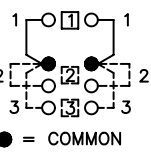
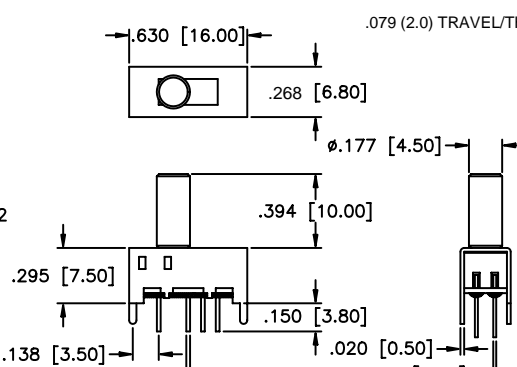
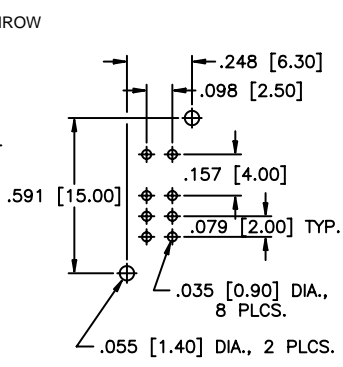
MODEL NO.			
MHS122K			
 <p style="text-align: center;">VERTICAL ACTUATOR</p>	<p style="font-size: 1.2em; font-weight: bold;">1P2T</p>  <p style="font-size: 0.8em;">● = COMMON</p>	 <p style="text-align: center;">MECHANICAL OUTLINE</p>	 <p style="text-align: center;">P.C. BOARD LAYOUT</p>
MHS133K			
 <p style="text-align: center;">VERTICAL ACTUATOR</p>	<p style="font-size: 1.2em; font-weight: bold;">1P3T</p>  <p style="font-size: 0.8em;">● = COMMON</p>	 <p style="text-align: center;">MECHANICAL OUTLINE</p>	 <p style="text-align: center;">P.C. BOARD LAYOUT</p>

SPECIFICATIONS SUBJECT TO CHANGE WITHOUT NOTICE

MHS Series Miniature Slide Switches

with aluminum actuator

SPECIFICATIONS SUBJECT TO CHANGE WITHOUT NOTICE


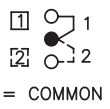
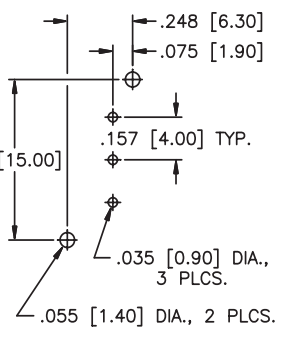
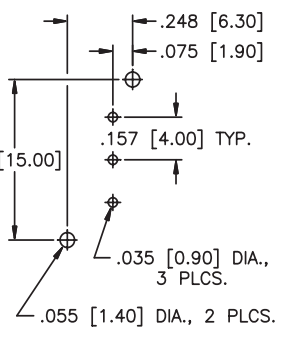

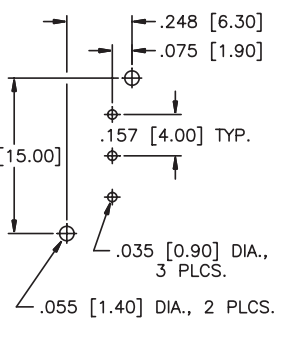

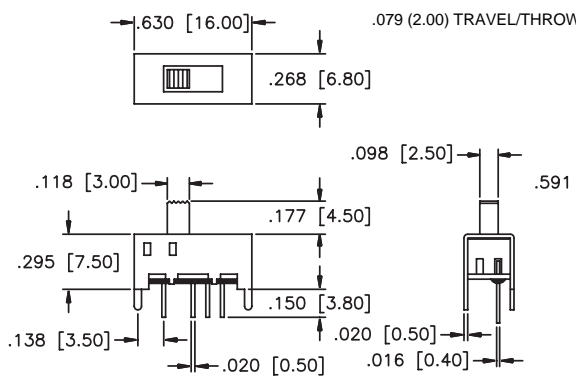
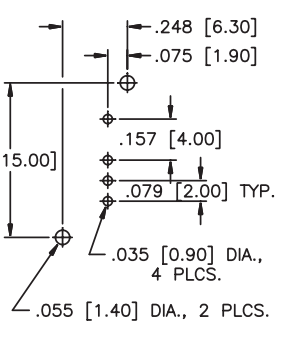
<p>MODEL NO.</p> <p>MHS222K</p>	<p>2P2T</p>  <p>● = COMMON</p>	 <p style="text-align: center;">MECHANICAL OUTLINE</p>	 <p style="text-align: center;">P.C. BOARD LAYOUT</p>	
<p>VERTICAL ACTUATOR</p>	<p>MODEL NO.</p> <p>MHS223K</p>	<p>2P2T w/center OFF</p>  <p>● = COMMON</p>	 <p style="text-align: center;">MECHANICAL OUTLINE</p>	 <p style="text-align: center;">P.C. BOARD LAYOUT</p>
<p>VERTICAL ACTUATOR</p>	<p>MODEL NO.</p> <p>MHS233K</p>	<p>2P3T</p>  <p>● = COMMON</p>	 <p style="text-align: center;">MECHANICAL OUTLINE</p>	 <p style="text-align: center;">P.C. BOARD LAYOUT</p>
<p>VERTICAL ACTUATOR</p>	<p>SCHMATIC</p>	<p>SCHMATIC</p>	<p>SCHMATIC</p>	<p>SCHMATIC</p>

New!

MHS Series Miniature Slide Switches

SPECIFICATIONS	FEATURES
<p>Contact rating: 300 mA at 30 VDC</p> <p>Initial contact resistance: 20 milliohms max.</p> <p>Insulation resistance: 100 megohms min. at 500 VDC</p> <p>Dielectric strength: 500 VAC for 1 minute</p> <p>Electrical life: 10,000 cycles min.</p> <p>Operating temperature range: -20°C to +85°C</p> <p>Solder heat resistance: 260°C max. for 3 seconds</p> <p>Actuation force: 250 ±150 grams</p> <p>Solvent washing permissible</p>	<ul style="list-style-type: none"> ● Miniature compact size. ● Wash-through open frame construction. ● Positive spring loaded ball detent mechanism. ● Epoxy sealed terminals.
	MATERIALS
	<p>Contacts & terminals: Silver plated brass</p> <p>Housing: Tin plated steel</p> <p>Actuator: Polyacetal</p> <p>Base: Phenolic laminated sheet</p> <p style="text-align: right;">Terminal seal: Epoxy</p>

SPECIFICATIONS SUBJECT TO CHANGE WITHOUT NOTICE


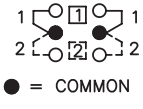

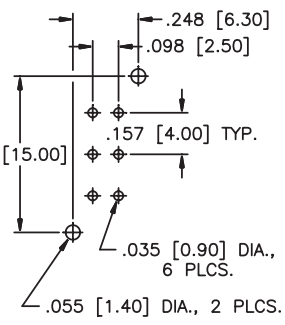

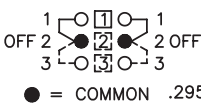
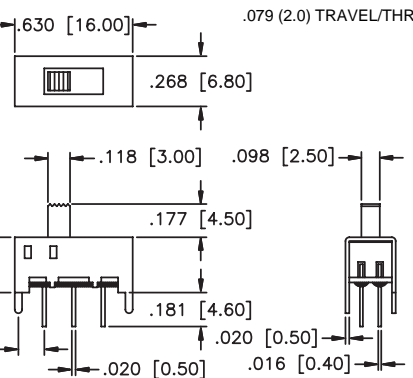
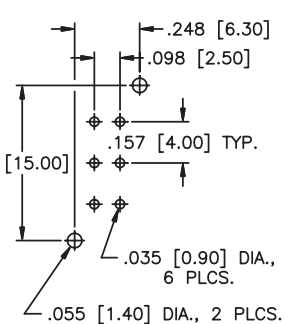

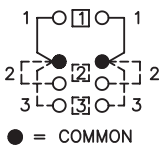
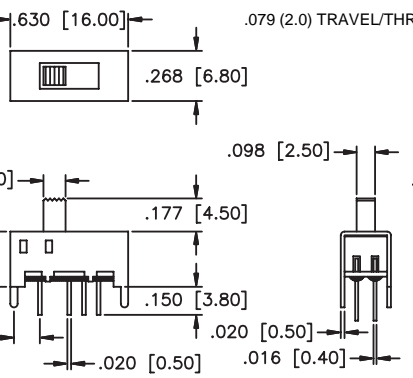
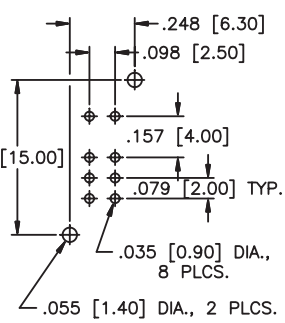
MODEL NO.			
MHS122			
	1P2T		
VERTICAL ACTUATOR	SCHEMATIC	MECHANICAL OUTLINE	P.C. BOARD LAYOUT
MODEL NO.			
MHS123			
	1P2T w/center OFF		
VERTICAL ACTUATOR	SCHEMATIC	MECHANICAL OUTLINE	P.C. BOARD LAYOUT
MODEL NO.			
MHS133			
	1P3T		
VERTICAL ACTUATOR	SCHEMATIC	MECHANICAL OUTLINE	P.C. BOARD LAYOUT

MHS Series

Miniature Slide Switches

New!

SPECIFICATIONS SUBJECT TO CHANGE WITHOUT NOTICE

<p>MODEL NO.</p> <p>MHS222</p>  <p>VERTICAL ACTUATOR</p>	<p>2P2T</p>  <p>● = COMMON</p>   <p>SCHMATIC MECHANICAL OUTLINE P.C. BOARD LAYOUT</p>
<p>MODEL NO.</p> <p>MHS223</p>  <p>VERTICAL ACTUATOR</p>	<p>2P2T w/center OFF</p>  <p>● = COMMON</p>   <p>SCHMATIC MECHANICAL OUTLINE P.C. BOARD LAYOUT</p>
<p>MODEL NO.</p> <p>MHS233</p>  <p>VERTICAL ACTUATOR</p>	<p>2P3T</p>  <p>● = COMMON</p>   <p>SCHMATIC MECHANICAL OUTLINE P.C. BOARD LAYOUT</p>

Mouser Electronics

Authorized Distributor

Click to View Pricing, Inventory, Delivery & Lifecycle Information:

[Apem:](#)

[MHS123K15D](#) [MHS122](#) [MHS122K](#) [MHS133](#) [MHS223](#) [MHS233](#) [MHS233K](#)