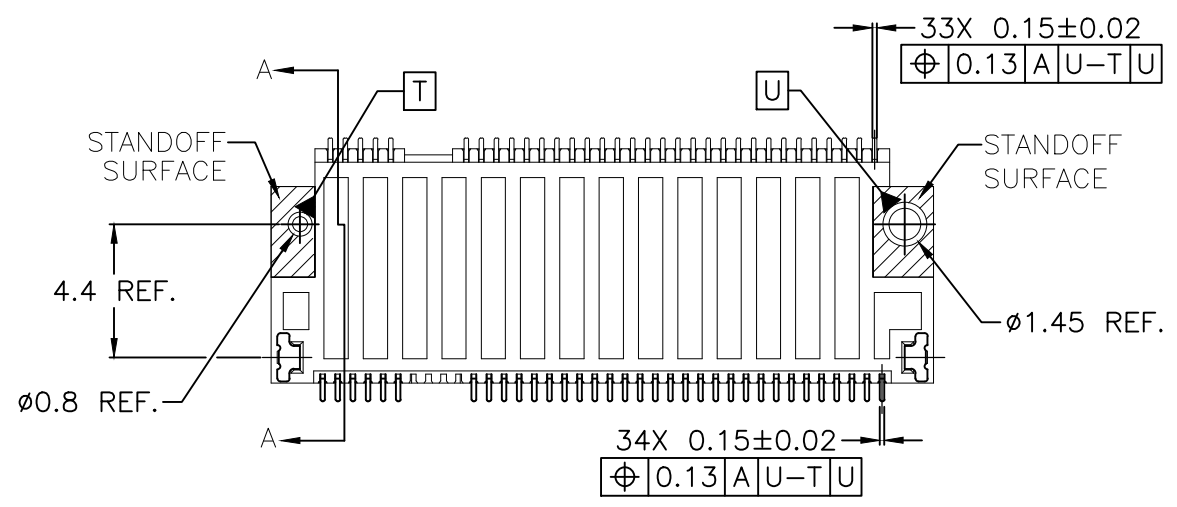
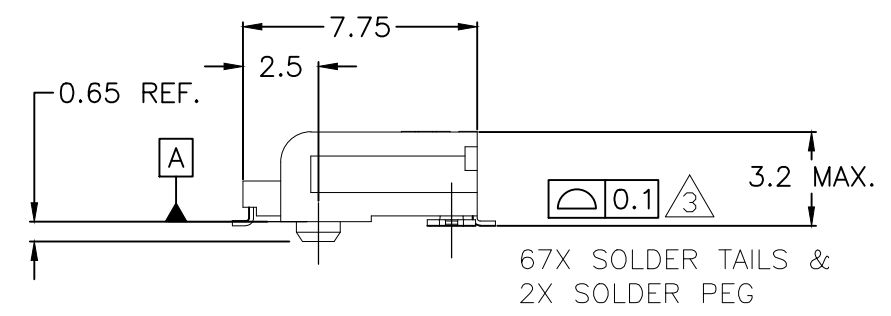
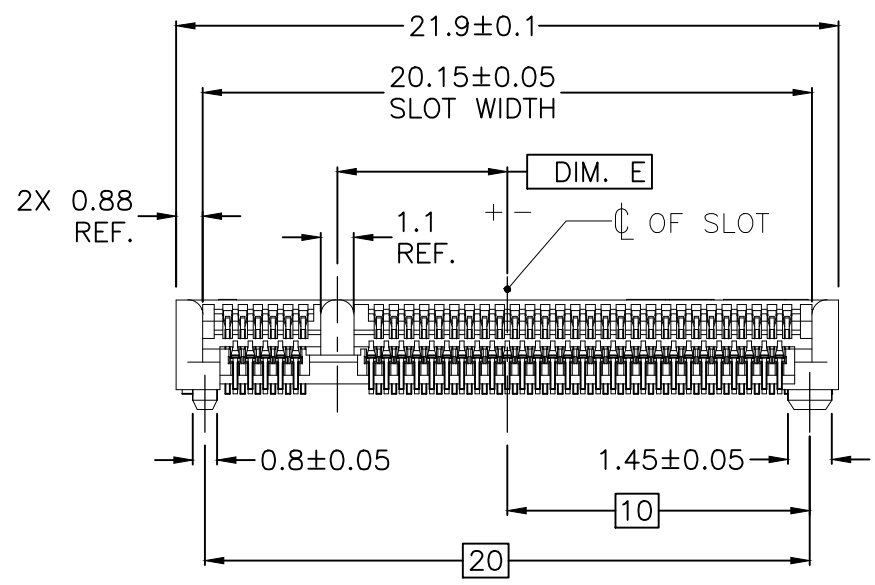
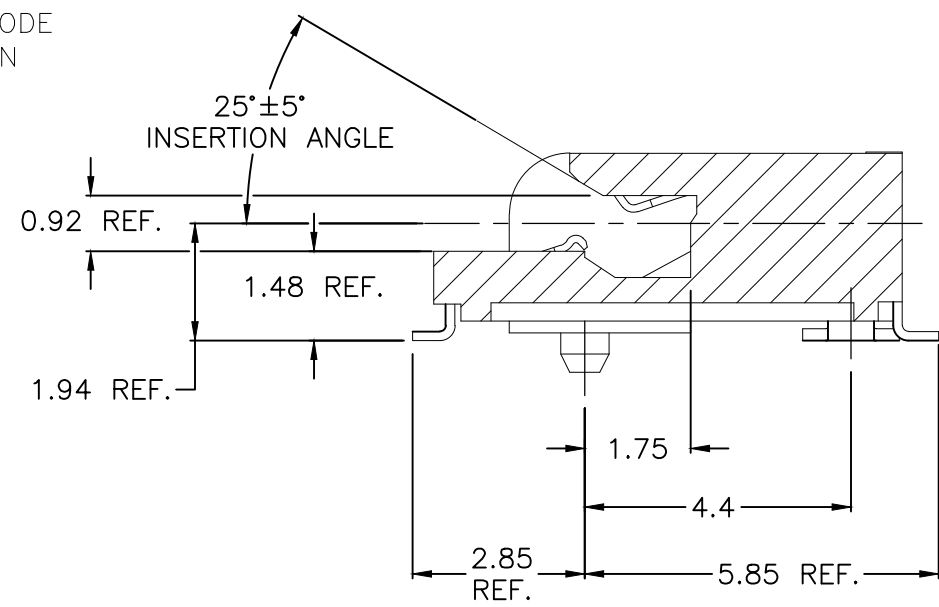
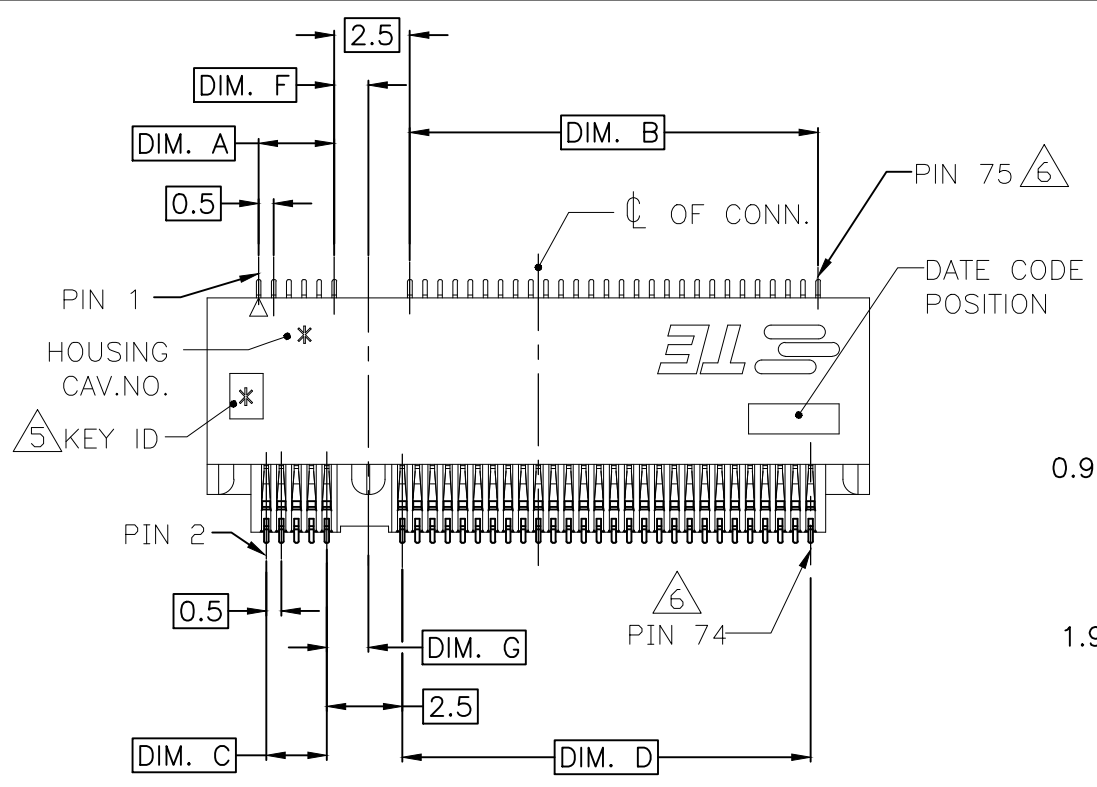


THIS DRAWING IS UNPUBLISHED. RELEASED FOR PUBLICATION  
 © COPYRIGHT - By - ALL RIGHTS RESERVED.

| REVISIONS |     |                           |           |     |      |
|-----------|-----|---------------------------|-----------|-----|------|
| P         | LTR | DESCRIPTION               | DATE      | DWN | APVD |
|           | D   | REVISED PER ECR-17-016948 | 21NOV2017 | E.Z | W.H  |



- NOTES:
- MATERIAL:
    - HOUSING : HIGH TEMPERATURE THERMOPLASTIC UL94V-0, COLOR: BLACK.
    - CONTACT: COPPER ALLOY.
    - SOLDER PEG: STAINLESS STEEL.
  - FINISH:
    - CONTACT: UNDERCOAT NICKEL 50u" min. ALL OVER; MATING AREA: GOLD PLATING, THE THICKNESS SEE TABLE LIST; SOLDERABLE AREA: GOLDFLASH.
    - SOLDER PEG: UNDERCOAT: NICKEL 50u" min. ALL OVER SOLDERABLE AREA: MATTE TIN 100u" min.
  - COPLANARITY: 0.10mm MAX.(BEFORE SOLDERING).
  - ACCEPTED MODULE BASED ON INDUSTRY STD.
  - KEY ID, "\*" IS A CAPITAL LETTER PER THE PART NO.
  - THE PIN NO. DEFINITIONS ARE ACCORDING TO PCB FOOTPRINT, THE ACTUAL PIN QUANTITY IS ONLY 67 POS. FOR KEY TAKING OUT 8 POS.
  - THE PRODUCT IS RoHS COMPLIANT, BR 900PPM MAX., CL 900PPM MAX. BR+CL 1500 PPM MAX.
  - MINUS MEANS  $\phi$  OF KEY IS ON THE RIGHT SIDE OF CONN.  $\phi$  IN PAGE 1.


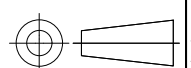
|  |  |                          |                                  |           |            |
|--|--|--------------------------|----------------------------------|-----------|------------|
| THIS DRAWING IS A CONTROLLED DOCUMENT. |  | DWN SIMON WU 90CT2012    | TE Connectivity                  |           |            |
| DIMENSIONS: mm                         |  | CHK SIMON LI 90CT2012    |                                  |           |            |
| TOLERANCES UNLESS OTHERWISE SPECIFIED: |  | APVD COREL WANG 90CT2012 | NAME                             |           |            |
| 0 PLC ± 0.30                           |  | PRODUCT SPEC             | M.2(NGFF)MINI CARD MOUNTING TYPE |           |            |
| 1 PLC ± 0.30                           |  | APPLICATION SPEC         | 0.50mm PITCH 67 POS 3.2mm H      |           |            |
| 2 PLC ± 0.20                           |  | 114-115006               | SIZE                             | CAGE CODE | DRAWING NO |
| 3 PLC ± 0.10                           |  | 0.51 G                   | A3                               | 00779     | C-2199119  |
| 4 PLC ANGLES ± - ± 3°                  |  | CUSTOMER DRAWING         | RESTRICTED TO                    |           |            |
| MATERIAL -                             |  | FINISH -                 | SCALE                            | SHEET     | REV        |
|  |  |                          | 4:1                              | 1 OF 4    | D          |

THIS DRAWING IS UNPUBLISHED. RELEASED FOR PUBLICATION  
 © COPYRIGHT - By - ALL RIGHTS RESERVED.

| REVISIONS |     |             |      |     |      |
|-----------|-----|-------------|------|-----|------|
| P         | LTR | DESCRIPTION | DATE | DWN | APVD |
| -         | -   | SEE SHEET 1 | -    | -   | -    |

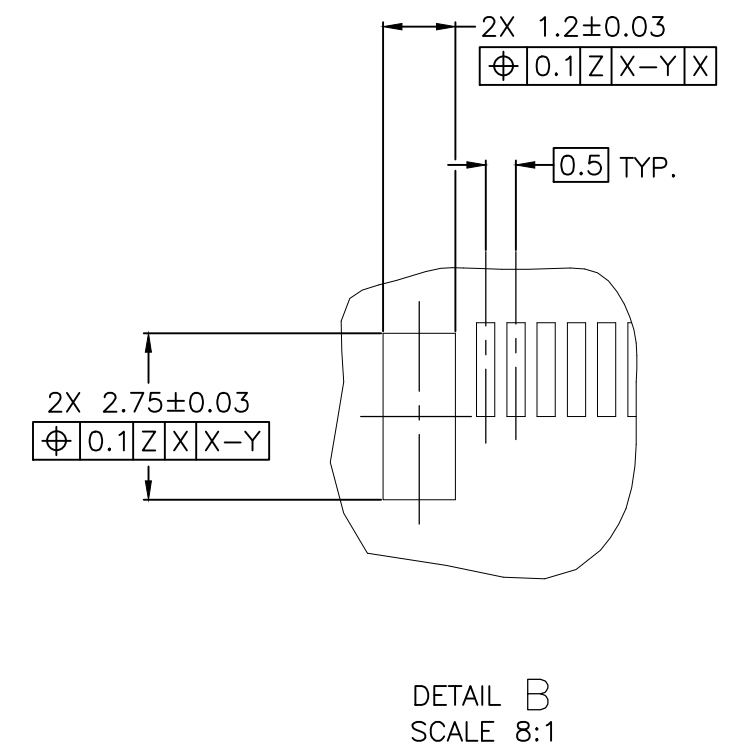
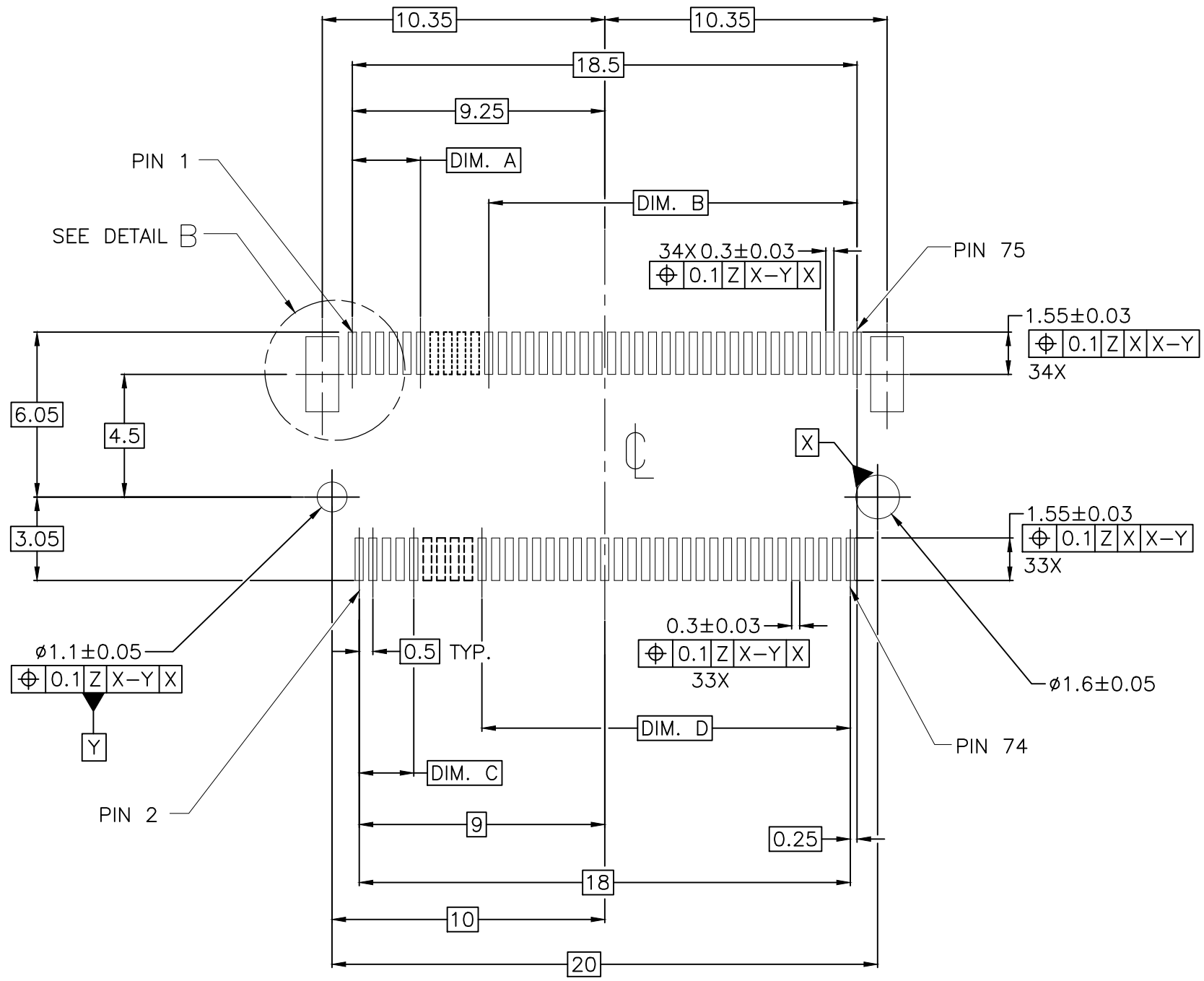


| KEY ID. | PRODUCT SPEC. | GOLD SPEC. | DIM. G | DIM. F | DIM. E | DIM. D | DIM. C | DIM. B | DIM. A | PART NO.    |
|---------|---------------|------------|--------|--------|--------|--------|--------|--------|--------|-------------|
| M       | 108-115042    | 30u" MIN.  | 1.125  | 1.375  | -6.125 | 1.5    | 14.0   | 2.0    | 14.0   | 1-2199119-6 |
|         |               | 15u" MIN.  |        |        |        |        |        |        |        | 1-2199119-5 |
|         |               | 10u" MIN.  |        |        |        |        |        |        |        | 1-2199119-4 |
|         | 108-115049    | GOLD FLASH |        |        |        |        |        |        |        | 1-2199119-3 |
| A       | 108-115042    | 10u" MIN.  |        |        | 6.625  | 14.5   | 1.0    | 14.5   | 1.5    | 1-2199119-2 |
| E       |               |            |        |        | 2.625  | 10.5   | 5.0    | 10.5   | 5.5    | 1-2199119-1 |
| B       |               |            |        |        | 5.625  | 13.5   | 2.0    | 13.5   | 2.5    | 1-2199119-0 |
| A       | 108-115042    | 30u" MIN.  | 1.375  | 1.125  | 6.625  | 14.5   | 1.0    | 14.5   | 1.5    | 2199119-9   |
|         |               | 15u" MIN.  |        |        |        |        |        |        |        | 2199119-8   |
|         |               | GOLD FLASH |        |        |        |        |        |        |        | 2199119-7   |
| E       | 108-115042    | 30u" MIN.  |        |        | 2.625  | 10.5   | 5.0    | 10.5   | 5.5    | 2199119-6   |
| B       |               |            |        |        | 5.625  | 13.5   | 2.0    | 13.5   | 2.5    | 2199119-5   |
| E       |               |            |        |        | 2.625  | 10.5   | 5.0    | 10.5   | 5.5    | 2199119-4   |
| B       | 108-115042    | 15u" MIN.  |        |        | 5.625  | 13.5   | 2.0    | 13.5   | 2.5    | 2199119-3   |
| E       |               |            |        |        | 2.625  | 10.5   | 5.0    | 10.5   | 5.5    | 2199119-2   |
| B       |               |            |        |        | 5.625  | 13.5   | 2.0    | 13.5   | 2.5    | 2199119-1   |
|         | 108-115049    | GOLD FLASH |        |        |        |        |        |        |        | 2199119-1   |

|  |  |  |   |  |  |  |
|--|--|--|---|--|--|--|
| THIS DRAWING IS A CONTROLLED DOCUMENT.   |  | DWN<br>SIMON WU<br>90CT2012  |  TE Connectivity |  |  |  |
|  |  | CHK<br>SIMON LI<br>90CT2012  |   |  |  |  |
| DIMENSIONS:<br>mm<br> |  | TOLERANCES UNLESS OTHERWISE SPECIFIED:<br>0 PLC ± 0.30<br>1 PLC ± 0.30<br>2 PLC ± 0.20<br>3 PLC ± 0.10<br>4 PLC ± -<br>ANGLES ± 3° |   | NAME<br>M.2(NGFF)MINI CARD MOUNTING TYPE<br>0.50mm PITCH 67 POS 3.2mm H<br>DOUBLE SIDED MODULE |  |  |
| MATERIAL   |  | FINISH   |   | APVD<br>COREL WANG<br>90CT2012<br>PRODUCT SPEC<br>APPLICATION SPEC                             |  |  |
|  |  |  |   | SIZE<br>A3   |  |  |
|  |  |  |   | CAGE CODE<br>00779   |  |  |
|  |  |  |   | DRAWING NO<br>C-2199119  |  |  |
|  |  |  |   | RESTRICTED TO<br>-   |  |  |
| CUSTOMER DRAWING   |  |  |   | SCALE<br>4:1   |  |  |
|  |  |  |   | SHEET<br>2 OF 4  |  |  |
|  |  |  |   | REV<br>D   |  |  |


THIS DRAWING IS UNPUBLISHED. RELEASED FOR PUBLICATION  
 © COPYRIGHT - By - ALL RIGHTS RESERVED.

| REVISIONS |     |             |      |      |
|-----------|-----|-------------|------|------|
| P         | LTR | DESCRIPTION | DATE | APVD |
| -         | -   | SEE SHEET 1 | -    | -    |



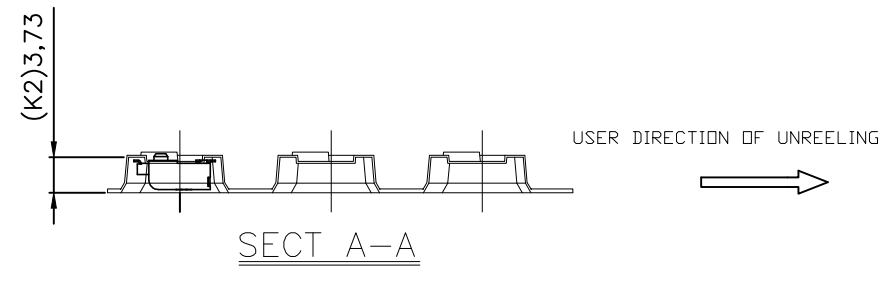
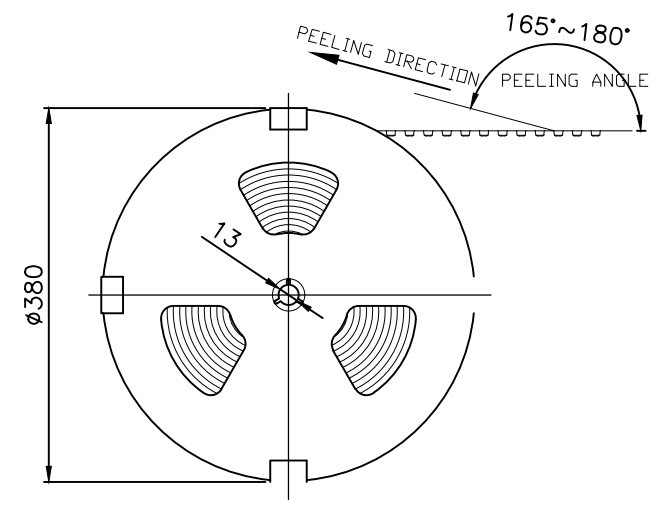
RECOMMENDED NGFF MINI CARD MOUNTING TYPE\_SMT\_PCB OUTLINE  
 DATUM Z: PCB SOLDER SURFACE

|         |        |        |        |        |
|---------|--------|--------|--------|--------|
| M       | 1.5    | 14.0   | 2.0    | 14.0   |
| E       | 10.5   | 5.0    | 10.5   | 5.5    |
| B       | 13.5   | 2.0    | 13.5   | 2.5    |
| A       | 14.5   | 1.0    | 14.5   | 1.5    |
| KEY ID. | DIM. D | DIM. C | DIM. B | DIM. A |

|  |  |  |   |                         |
|--|--|--|---|-------------------------|
| THIS DRAWING IS A CONTROLLED DOCUMENT.   |  | DWN<br>SIMON_WU<br>90CT2012  |  TE Connectivity |                         |
| DIMENSIONS:<br>mm  |  | CHK<br>SIMON_LI<br>90CT2012  |   |                         |
| TOLERANCES UNLESS OTHERWISE SPECIFIED:   |  | APVD<br>COREL_WANG<br>90CT2012   |   |                         |
| 0 PLC ± 0.30<br>1 PLC ± 0.30<br>2 PLC ± 0.20<br>3 PLC ± 0.10<br>4 PLC ± -<br>ANGLES ± 3° |  | NAME<br>M.2(NGFF)MINI CARD MOUNTING TYPE<br>0.50mm PITCH 67 POS 3.2mm H<br>DOUBLE SIDED MODULE |   |                         |
| MATERIAL   |  | FINISH   | PRODUCT SPEC  | SIZE<br>A3              |
|  |  |  | APPLICATION SPEC  | CAGE CODE<br>00779      |
|  |  |  | WEIGHT  | DRAWING NO<br>C-2199119 |
| CUSTOMER DRAWING   |  |  | RESTRICTED TO   |                         |
|  |  |  | SCALE<br>5:1  | SHEET<br>3 OF 4         |
|  |  |  | REV<br>D  |                         |

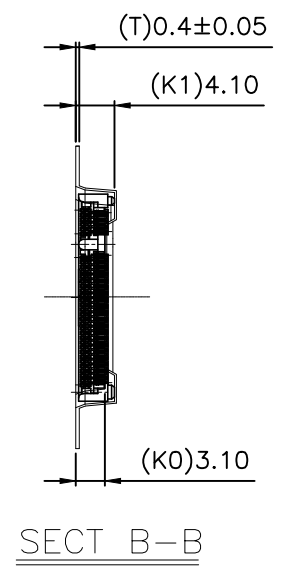
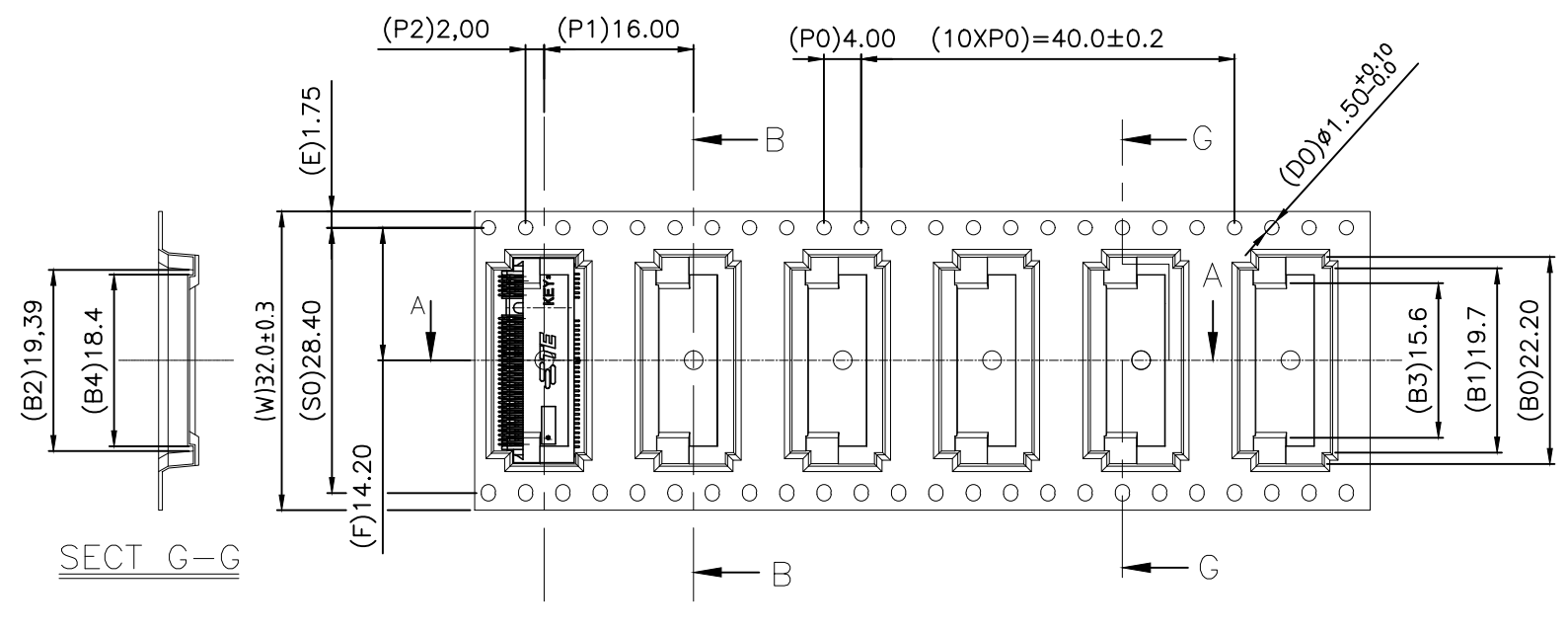
THIS DRAWING IS UNPUBLISHED. RELEASED FOR PUBLICATION  
 © COPYRIGHT - By - ALL RIGHTS RESERVED.

| REVISIONS |     |             |      |     |      |
|-----------|-----|-------------|------|-----|------|
| P         | LTR | DESCRIPTION | DATE | DWN | APVD |
| -         | -   | SEE SHEET 1 | -    | -   | -    |



NOTES: (APPLIED TO CURRENT SHEET)

1. THE DIRECTION OF EACH CONNECTOR ON A EMBOSS IS REFERRED TO THIS DRAWING.
2. GENERAL TOLERANCE:  $\pm 0.5$ ,  $\pm 3^\circ$
3. PACKAGED IN EMBOSS TAPE AND PLASTIC RELL 1200PCS PER REEL.



|   |  |                                |  |      |           |            |               |
|---|--|--------------------------------|--|------|-----------|------------|---------------|
| THIS DRAWING IS A CONTROLLED DOCUMENT.  |  | DWN<br>SIMON_WU<br>90CT2012    | <b>TE Connectivity</b><br>NAME<br>M.2(NGFF)MINI CARD MOUNTING TYPE<br>0.50mm PITCH 67 POS 3.2mm H<br>DOUBLE SIDED MODULE |      |           |            |               |
| DIMENSIONS:<br>mm   |  | CHK<br>SIMON_LI<br>90CT2012    |  |      |           |            |               |
| TOLERANCES UNLESS OTHERWISE SPECIFIED:  |  | APVD<br>COREL_WANG<br>90CT2012 |  |      |           |            |               |
| 0 PLC $\pm 0.30$<br>1 PLC $\pm 0.30$<br>2 PLC $\pm 0.20$<br>3 PLC $\pm 0.10$<br>4 PLC $\pm -$<br>ANGLES $\pm 3^\circ$ |  | PRODUCT SPEC                   |  |      |           |            |               |
| MATERIAL  |  | FINISH                         | APPLICATION SPEC   | SIZE | CAGE CODE | DRAWING NO | RESTRICTED TO |
| -   |  | -                              | WEIGHT   | A3   | 00779     | C-2199119  | -             |
| CUSTOMER DRAWING  |  |                                | SCALE  | N/A  | SHEET     | 4 OF 4     | REV           |
|   |  |                                |  |      |           |            | D             |