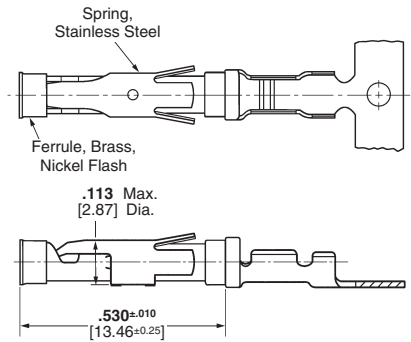
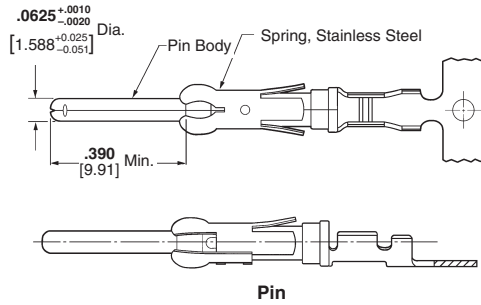
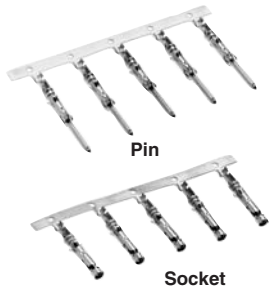


Signal Contacts

Type III+, Crimp, Snap-In



Material and Finish — See chart.

Contact Body—Brass or phosphor bronze

Retention Spring—Stainless steel

Application Tooling—Page 29

Technical Documents

114-10004 Application Specification

108-10042 Product Specification

Contact Size 16—Pin Diameter .062 [1.57] (Test Current, 13 Ampere)†

†Single contact, free-air test current is not to be construed as contact rating current. Use only for testing. Refer to contact current carrying capability information on page 8.

| AWG | Wire Size Range mm ² | Ins. Dia. Range | Contact Finish | Strip Form Contact No. | | Loose Piece Contact No. | | Tooling Part No.** | |
|-------|------------------------------------|-------------------------------------|-------------------------------|------------------------|------------------------|-------------------------|-----------|--|---|
| | | | | Pin | Socket | Pin | Socket | Loose Piece Hand Tool | Strip Form Applicators |
| 30-28 | 0.05-0.09 | .015-.030 0.38-0.76 | Gold/Nickel ² | 788085-3 | 788088-2 | — | — | 90716-1 | 567867-1*** or 567947-1*** or 680602-□*** |
| | | | Sel. Gold/Nickel ³ | 788085-1 | 788088-1 | 788085-4 | 788088-3 | | |
| 30-26 | 0.05-0.15 | .040-.060 ¹ 1.02-1.52 | Bright Tin | 1-66425-2 | 1-66424-1 | — | — | 91515-1 ⁶ | 466598-□*** |
| | | | Gold/Nickel ² | 66425-7 | 66424-7 | 66429-3 | 66428-3 | | |
| | | | Sel. Gold/Nickel ³ | 66425-8 | 66424-8 | 66429-4 | 66428-4 | | |
| | | | Gold/Nickel ² | 66393-7 | 66394-7 | — | — | | |
| 26-24 | 0.12-0.2 | .035-.055 ¹ 0.89-1.40 | Sel. Gold/Nickel ³ | 66393-8 | 66394-8 | 66406-4 | 66405-4 | 90225-2 ⁶ | 466585-3*** |
| | | | Bright Tin | 1-66106-5 | 1-66108-5 | 1-66107-1 | 1-66109-7 | | |
| | | | Gold/Nickel ² | 66106-7 | 66108-7 | 66107-3 | 66109-3 | | |
| | | | Sel. Gold/Nickel ³ | 66106-8 | 66108-8 | 66107-4 | 66109-4 | | |
| 24-20 | 0.2-0.6 | .040-.080 ¹ 1.02-2.03 | Sel. Gold/Nickel ⁴ | — | 66108-1 | — | 66109-1 | 91515-1 ⁶ or 58495-1* | 466321-□*** or 466908-2*** |
| | | | Bright Tin | 2-66102-5 | 3-66104-0 | 1-66103-8 | 1-66105-9 | | |
| | | | Gold/Nickel ² | 66102-8 | 66104-8 | 66103-3 | 66105-3 | | |
| | | | Sel. Gold/Nickel ³ | 66102-9 | 66104-9 | 66103-4 | 66105-4 | | |
| | | | Sel. Gold/Nickel ⁴ | 2-66102-2 ⁷ | 2-66104-3 ⁷ | — | — | | |
| | | | Sel. Gold/Nickel ⁴ | — | 66104-1 | — | 66105-1 | | |
| 18-16 | 0.8-1.4 | .080-.100 ¹ 2.03-2.54 | Bright Tin | 1-66564-2 | 1-66563-1 | 66566-7 | 66565-7 | 91542-1 ⁶ | 466383-4*** or 466979-1*** or 567363-□*** |
| | | | Sel. Gold/Nickel ³ | 66564-8 | 66563-8 | 66566-4 | 66565-4 | | |
| | | | Bright Tin | 1-66332-4 | 1-66331-4 | 1-66400-0 | 1-66399-0 | | |
| | | | Gold/Nickel ² | 66332-7 | 66331-7 | 66400-3 | 66399-3 | | |
| 18-14 | 0.8-2.0 | .080-.100 ¹ 2.03-2.54 | Sel. Gold/Nickel ³ | 66332-8 | 66331-8 | 66400-4 | 66399-4 | 91523-1 ⁶ or 90225-2 ⁶ | 466324-□*** or 466942-1*** |
| | | | Sel. Gold/Nickel ⁴ | — | 66331-2 | — | 66399-2 | | |
| | | | Bright Tin | 1-66098-9 ⁵ | 1-66100-9 | 1-66099-5 | 1-66101-9 | | |
| | | | Gold/Nickel ² | 66098-8 | 66100-8 | 66099-3 | 66101-3 | | |
| 18-14 | 0.8-2.0 | .080-.100 ¹ 2.03-2.54 | Sel. Gold/Nickel ³ | 66098-9 | 66100-9 | 66099-4 | 66101-4 | 91519-1 ⁶ | 466326-□*** or 466923-2*** |
| | | | Sel. Gold/Nickel ⁴ | 66098-6 | — | 66099-1 | — | | |
| | | | Bright Tin | 1-66359-4 | 1-66358-6 | 1-66361-2 | 1-66360-2 | | |
| | | | Phos Bronze | 1-66359-5 | 1-66358-8 | 1-66359-5 | 1-66358-8 | | |
| | | | Gold/Nickel ² | 66359-9 | 66358-9 | 66361-3 | 66360-3 | | |
| | | | Sel. Gold/Nickel ³ | 1-66359-0 | 1-66358-0 | 66361-4 | 66360-4 | | |
| 18-14 | 0.8-2.0 | .110-.150 ⁵ 2.79-3.81 | Sel. Gold/Nickel ⁴ | — | 66358-1 | — | 66360-1 | 91521-1 ⁶ | 466958-1*** or 567364-□*** |
| | | | Bright Tin | 66597-8 | 1-66598-0 | 66602-8 | 66601-9 | | |
| | | | Sel. Gold/Nickel ³ | 66597-2 | 66598-2 | 66602-2 | 66601-2 | | |

¹Overall insulation crimp diameter, including crimp barrel, must not exceed .125 [3.18].
².000015 [0.00038] gold in the mating area over .000050 [0.00127] min. nickel.
³.000030 [0.00076] gold in the mating area, with gold flash on remainder, over .000050 [0.00127] min. nickel.
⁴.000030 [0.00076] gold in the mating area, with gold gradient on remainder, over .000050 [0.00127] min. nickel.

⁵Contacts can ONLY be used in: Metrimate; CPC Series 1 (Arr. 23-24), Series 4 (Arr. 23-13M, 23-16M, 23-22M), and VDE connectors.
⁶To use with the 626 Pneumatic Tool: remove crimping head from Straight Action Hand Tool (SAHT), order SAHT Adapter Part No. 217201-1, Adapter Holder Part No. 356304-1 (with ratchet) or 189928-1 (without), and Power Unit Part No. 189721-1 (hand actuated) or 189722-1 (foot actuated).
⁷Phosphor Bronze

⁸Standard reeling of strip form contacts.
^{*}Commercial PRO-CRIMPER II hand tool for field repair only. Note: Die Set can be adapted for use with 626 Pneumatic Tool System. Insertion Tool Part No. 91002-1 (for insulation diameters .070 [1.78] or less), No. 200893-2 (for insulation diameters .090 [2.29] max.). Extraction Tool Part No. 305183. (Instruction Sheet 408-1216)
^{**}There are power options available for these tools/dies. See Battery Powered Crimp tool Kit and SDE Electric Terminator on page 30.
^{***}Call Technical Support for Machine Applicator Part Numbers.

Note: All part numbers are RoHS compliant.

Signal Contacts (Continued)

Type III+, Crimp, Snap-In

Contact Size—16
Pin Diameter—.062 [1.57]

Material and Finish
Contact Body—Copper alloy, plated tin or gold
Spring—Stainless steel

Grounding Pin
 (make first - break last)

Related Product Data
Application Tooling—Pages 29, 30
Technical Documents—Page 4



| Wire Size Range | | Ins. Dia. Range ¹ | Contact Finish | Grounding Pin Part No. | | Strip Form Applicator Part No. | Loose Piece Hand Tool** Part No. |
|--------------------|-------|------------------------------|-------------------------------|------------------------|-------------|--------------------------------|--|
| [mm ²] | AWG | | | Strip Form | Loose Piece | | |
| 0.12-0.2 | 26-24 | .035-.055 0.89-1.4 | Tin | 164159-3 | 164162-1 | — | 91515-1 ³ or 58495-1* |
| | | | Sel. Gold/Nickel ² | 164159-4 | 164162-2 | | |
| 0.2-0.6 | 24-20 | .045-.070 1.14-1.78 | Tin | 164160-3 | 164163-1 | 466323-□ ³ | 91515-1 ³ or 91505-1 ³ or 58495-1* |
| | | | Sel. Gold/Nickel ² | 164160-4 | 164163-2 | 466907-2 ³ | |
| 0.8-1.4 | 18-16 | .078-.098 1.98-2.49 | Tin | 164161-3 | 164164-1 | 466741-□ ³ | 91523-1 ³ or 91505-1 ³ or 58495-1* |
| | | | Sel. Gold/Nickel ² | 164161-4 | 164164-2 | 680114-3 ³ | |

¹Overall insulation crimp diameter, including crimp barrel, must not exceed .125 [3.18].
²Gold flash over .000030 [0.00076] min. nickel on entire contact, with .000030 [0.00076] gold in contact area.
³To use with the 626 Pneumatic Tool System: remove the crimping head from the Straight Action Hand Tool (SAHT) Assembly, order SAHT Adapter **Part No. (Call Technical Support at 800-522-6752)**, Adapter Holder **Part No. 356304-1** (with ratchet) or **189928-1** (without), and Power Unit **Part No. 189721-1** (hand actuated) or **189722-1** (foot actuated).

*Commercial PRO-CRIMPER II hand tool for field repair only. **Note:** Die Set can be adapted for use with the 626 Pneumatic Tool System.
 **There are power options available for these tools/dies. See Battery Powered Crimp tool Kit and SDE Electric Terminator on page 30.
 ***Call Technical Support at 1-800-522-6752 for Automatic Machine Applicator Part Numbers.

Extraction Tool Part No. 725840-1

Note: All part numbers are RoHS compliant.

Type III+, Solder Versions



Material
Contact Body and Tab—Brass
Retention Spring—Stainless steel

Finish
 See chart on Page 11.

Signal Contacts (Continued)

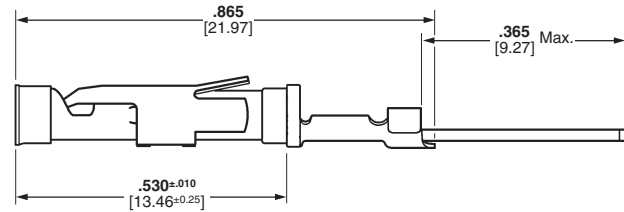
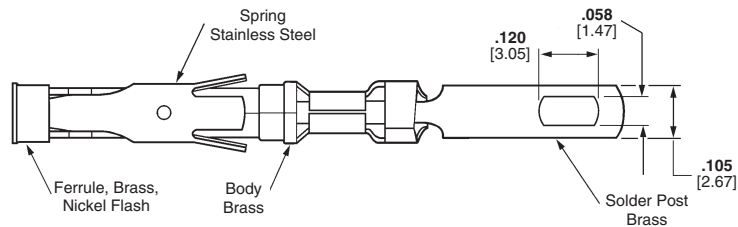
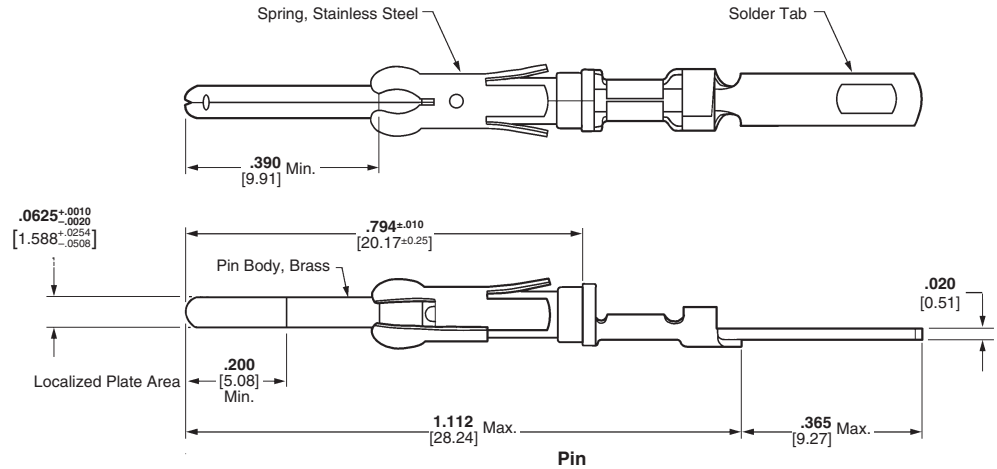
Type III+, Solder Versions
(Continued)



Pin



Socket



Socket

Material

Contact Body and Tab—Brass

Retention Spring—Stainless steel

Finish

See chart.

Contact Size 16—Pin Diameter .062 [1.57] (Test Current, 13 Ampere)‡

| Wire Size Range | | Contact Finish | Loose Piece Contact No. | |
|-----------------|--------------------|--------------------------|-------------------------|-----------|
| AWG | [mm ²] | | Pin | Socket |
| 26-20 | 0.12-0.6 | Gold/Nickel ¹ | 66182-1♦ | 66183-1♦ |
| 18-16 | 0.8-1.4 | Gold/Nickel ¹ | 66180-1♦ | 66181-1♦ |
| Solder Tab | | Duplex ² | 202236-7♦ | 202237-7♦ |
| | | Bright Tin | 202236-5♦ | 202237-5♦ |

¹0.00030 [0.00076] gold in mating area over .000050 [0.00127] nickel.

²Duplex plated .000030 [0.00076] gold in mating area over .000050 [0.00127] nickel on contact body; bright tin-lead on solder tab.

³Bright tin on entire contact.

Note: These contacts can be used in Multimate contact cavities of all connector housings.

‡Single contact, free-air test current is not to be construed as contact rating current. Use only for testing.

Refer to contact current carrying capability information on page 3.

Extraction Tool **Part No. 305183** (Instruction Sheet 408-1216)

Note: All part numbers are RoHS compliant except: ♦ Indicates non-RoHS compliant.

Signal Contacts (Continued)

Type III+, Posted
(Replacement Contacts,
See Note Below)



Pin



Socket

Material

Contact Body and Post—Brass

Retention Spring—Stainless steel

Finish

See chart.



Contact Size 16—Pin Diameter .062 [1.57] (Test Current, 13 Ampere)‡

| Termination Method | Post Configuration | Contact Finish | Loose Piece Contact No. | | | | | |
|---------------------|----------------------------|-------------------------------|-------------------------|-----------|-------------------------|-----------|-------------------------|-----------|
| | | | 3 Termination High Post | | 2 Termination High Post | | 1 Termination High Post | |
| | | | Pin | Socket | Pin | Socket | Pin | Socket |
| Wrap-Type | .025 x .025 0.64 x 0.64 | Sel. Gold/Nickel ¹ | 6-66460-4 | 6-66461-3 | 6-66460-3 | 6-66461-2 | 6-66460-2 | 5-66461-5 |
| | | Bright Tin | 6-66460-6 | 5-66461-9 | 6-66460-7 | 5-66461-8 | 6-66460-5 | 5-66461-4 |
| | .045 x .045 1.14 x 1.14 | Sel. Gold/Nickel ¹ | 1-66471-5 | 2-66473-0 | — | — | 1-66471-8 | 1-66473-9 |
| | | Bright Tin | 1-66471-7 | 1-66473-8 | — | — | 1-66471-6 | 1-66473-7 |
| | .031 x .062 0.79 x 1.57 | Sel. Gold/Nickel ¹ | 1-66470-1 | — | — | — | 1-66470-0 | — |
| TERMI-POINT Clip | .031 x .062 0.79 x 1.57 | Sel. Gold/Nickel ¹ | 1-66468-3 | 1-66459-0 | — | — | — | — |

¹Gold flash over .000050 [0.00127] nickel on entire contact, with .000030 [0.00076] gold to a distance of .200 [5.08] from mating end. Gold thickness controlled on socket O.D.

Posts plated tin-lead over copper.

Extraction Tool **Part No. 305183** (Instruction Sheet 408-1216)

Insertion Tool **Part No. 200893-2**

Note: These contacts are used as replacement contacts for all posted connectors.

‡Single contact, free-air test current is not to be construed as contact rating current. Use only for testing. Refer to contact current carrying capability information on page 3.

Note: All part numbers are RoHS compliant.

Signal Contacts (Continued)

Enhanced High Current Type III+, Crimp, Snap-In



Material and Finish — See chart.
Contact Body—Copper Nickel Alloy
Retention Spring—Stainless steel

Related Product Data

Application Tooling — Pages 75-78

Technical Documents

114-10004 Application Specification
 108-10024-2 Product Specification

Contact Size 16—Pin Diameter .062 [1.57]

| Wire Size Range | | Ins. Dia. Range | Contact Finish | Strip Form Contact No. | | Loose Piece Contact No. | | Tooling Part No.** | |
|-----------------|-----------------|-------------------------------------|----------------|------------------------|-----------|-------------------------|-----------|-----------------------|----------------------------------|
| AWG | mm ² | | | Pin | Socket | Pin | Socket | Loose Piece Hand Tool | Strip Form Applicators |
| 18-14 | 0.8-2.0 | .080-.100 ¹ 2.03-2.54 | Gold | 1-66359-6 | 1-66358-9 | 1-66361-4 | 1-66360-4 | 91519-1 ³ | 466326-□*** or 466923-2*** |
| | | | Tin | 1-66359-9 | 2-66358-1 | 1-66361-6 | 1-66360-6 | | 466958-1*** or 567364-□*** |
| | | .110-.150 ² 2.79-3.81 | Gold | 1-66597-0 | 1-66598-1 | 66602-9 | 1-66601-0 | 91521-1 ³ | 466958-1*** or 567364-□*** |
| | | | Tin | 1-66597-1 | 1-66598-2 | 1-66602-0 | 1-66601-2 | | |

¹ Overall insulation crimp diameter, including crimp barrel, must not exceed .125 [3.18].
² Contacts can ONLY be used in CPC, Series 1 (Arr. 23-24), Series 4 (Arr. 23-13M, 23-16M, 23-22M), and VDE connectors.
³ To use with the 626 Pneumatic Tool System: remove the crimping head from the Straight Action Hand Tool (SAHT) Assembly, order SAHT Adapter **Part No. 217201-1**, Adapter Holder **Part No. 356304-1** (with ratchet) or **189928-1** (without), and Power Unit **Part No. 189721-1** (hand actuated) or **189722-1** (foot actuated).
 **There are power options available for these tools/dies. See Battery Powered Crimp tool Kit and SDE Electric Terminator on page 30.
 ***Call Technical Support for Automatic Machine Applicator Part Numbers.

Note: All part numbers are RoHS compliant.

Ratings Voltage: 250 Volts AC/DC
 600 Volts AC/DC, Series I, VDE tested and select loaded only
Base Current: Type III+ contacts: 17 amperes, 30°C temperature rise with single contact on 14 AWG wire
Enhanced High Current Type III+ contacts: 25 amperes, 30°C temperature rise with single contact on 14 AWG wire
Temperature: -55°C to +105°C
VDE 0627: XA/630/4KV/2 - Series I, VDE tested only

Multiplication Rating Factor (F)

Type III+ Contacts (Note: 1 = 17 amperes)

| Shell Size | Percent Connector Loading | | | | | |
|------------|---------------------------|--------|-----------|--------|-----------|--------|
| | Single Circuit | | ≈ 50% | | 100% | |
| | Wire Size | | Wire Size | | Wire Size | |
| | 30 AWG | 14 AWG | 30 AWG | 14 AWG | 30 AWG | 14 AWG |
| 11-4 | .291 | 1 | .212 | .905 | .140 | .684 |
| 13-9 | .278 | .995 | .175 | .750 | .134 | .567 |
| 17-16 | .270 | .990 | .146 | .625 | .127 | .472 |
| 23-24 | .281 | .985 | .138 | .550 | .120 | .416 |
| 23-37 | .275 | .985 | .131 | .497 | .114 | .376 |

Enhanced High Current Type III+ Contacts (14 AWG wire only - Note: 1 = 25 amperes)

| Shell Size | Percent Connector Loading | | |
|------------|---------------------------|--------|--------|
| | Single Circuit | ≈ 50% | 100% |
| | 14 AWG | 14 AWG | 14 AWG |
| 11-4 | .880 | .840 | .640 |
| 13-9 | .880 | .640 | .480 |
| 17-16 | .880 | .520 | .400 |
| 23-24 | .880 | .520 | .400 |
| 23-37 | .880 | .440 | .320 |

Enhanced High Current Contacts & M Series Connectors: (Note: 1 = 24 amperes)

| Single Circuit | ≈ 50% | ≈ 100% |
|----------------|--------|--------|
| 14 AWG | 14 AWG | 14 AWG |
| 1 | .292 | .250 |

Enhanced High Current Contacts & Metrimate Connectors: (Note: 1 = 24 amperes)

| Single Circuit | ≈ 50% | ≈ 100% |
|----------------|--------|--------|
| 14 AWG | 14 AWG | 14 AWG |
| 1 | .458 | .375 |

Signal Contacts (Continued)

Type II, Screw Machined, Crimp

Material

Contact Body—Brass

Retention Spring—Stainless steel

Finish

Contact Body—.000030 [0.00076] gold over .000050 [0.00127] nickel. Gold thickness controlled on socket O.D.

Retention Spring—Stainless steel

Related Product Data

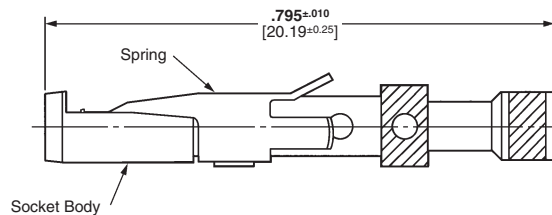
Application Tooling—Pages 75-78



Pin



Socket



Socket

Contact Size 16—Pin Diameter .062 [1.57] (Test Current, 13 Ampere)†

| Wire Size Range | | Ins. Dia. Range ¹ | Tape Mounted Contact No. ² | | Loose Piece Contact No. | | Contact Color Code | Tooling Part No. ^{**} | | |
|-----------------|------------------|------------------------------|---------------------------------------|----------|---------------------------|-----------------------|--------------------|--|---|------------------------------------|
| | | | Pin | Socket | Pin | Socket | | Tape Mounted Dies for AMP-TAPETRONIC Machine 69875 | Loose Piece Die Set for 626 Pneumatic Tool System | Hand Tool |
| 28-24 | 0.08-0.20 | .035-.055 0.89-1.40 | 201611-4 | — | 201611-1 ⁴ | 201613-1 ⁵ | Red/Red | — | 90230-1 ⁷ | 91538-1 or 601967-1 |
| | | .048-.065 1.22-1.65 | — | — | 201334-1 ⁴ | 201332-1 ⁵ | Red/Red | 90249-2 | — | — |
| | | .095-.110 2.41-2.79 | — | — | 202410-1 ⁴ | 202411-1 ⁵ | Green | — | — | 601967-1 |
| 24-20 | 0.2-0.6 | .040-.062 1.02-1.57 | 201578-4 | — | 201578-1 ⁴ | 201580-1 ⁵ | Yellow/Red | — | 90230-1 ⁷ | 91538-1 or 58541-1* |
| | | .055-.088 1.40-2.16 | 201330-6 | 201328-9 | 201330-1 ⁴ | 201328-1 ⁵ | Yellow/Red | 90249-2 | 90230-1 ⁷ | or 601967-1 |
| 18 (Two) | 0.9-0.9 (Two) | No. Ins. Support | — | — | 202725-1 ⁴ | 202726-1 ⁴ | Blue | — | 90231-2 ⁷ | 91539-1 or 601967-1 |
| 18-16 | 0.8-1.4 | .080-.105 2.03-2.67 | — | — | 202507-1 ⁴ | 202508-1 ⁵ | — | — | — | 90136-1 or 601967-1 |
| | | No Ins. Support | 200336-6 | 200333-8 | 200336-1 ⁴ | 200333-1 ⁴ | Blue/Blue | 90250-1 | 90231-2 ⁷ | 91539-1 58541-1* or 601967-1 |
| 14 | 2 | No Ins. Support | 212618-2 ³ | — | 212618-1 ^{3,6,†} | — | Violet/Blue | 90250-1 | 90231-2 ⁷ | 91539-1 58541-1* or 601967-1 |
| | | | 201570-2 | 201568-3 | 201570-1 ⁴ | 201568-1 ⁵ | Violet/Blue | — | — | — |

¹Overall insulation crimp diameter, including crimp barrel, must not exceed .125 [3.18].

²For AMP-TAPETRONIC Machine No. 69875, order contacts by Tape Mounted Contact No., plus packaging code "IM REEL" (5000 parts per reel).

³Grounding pin is used to provide a make-first/break-last condition when mating and unmating connector halves.

⁴Use turret TH502 (1-601967-6) with hand tool 601967-1.

⁵Use turret TH501 (1-601967-5) with hand tool 601967-1.

⁶Pin length is .630±.005 [16.002±.127] on these two pins.

⁷Die Set requires "C" Head Adapter Part No. 318161-1; Adapter Holder Part No. 356304-1 (with ratchet) or 189928-1 (without); and Power Unit Part No. 189721-2 (hand actuated) or 189722-2 (foot actuated).

*Commercial PRO-CRIMPER II Hand Tool for field repair use only. **Note:** Die Set can be adapted for use with the 626 Pneumatic Tool System.

**There are power options available for these tools/dies. See Battery Powered Crimp tool Kit and SDE Electric Terminator on page 30.

†Does not use Hand Tool 91539-1 or 601967-1.

‡Single contact, free-air test current is not to be construed as contact rating current. Use only for testing. Refer to contact current carrying capability information on page 8.

Insertion Tool Part No. 200893-2 (for insulation diameters .070 [1.78] or less).

Extraction Tool Part No. 305183.

Note: All part numbers are RoHS compliant.

Signal Contacts (Continued)

Size 20 DF, Crimp, Snap-In

Contact Size—20
Pin Diameter—.040 [1.02]
***See Product Spec 108-40005**



Pin



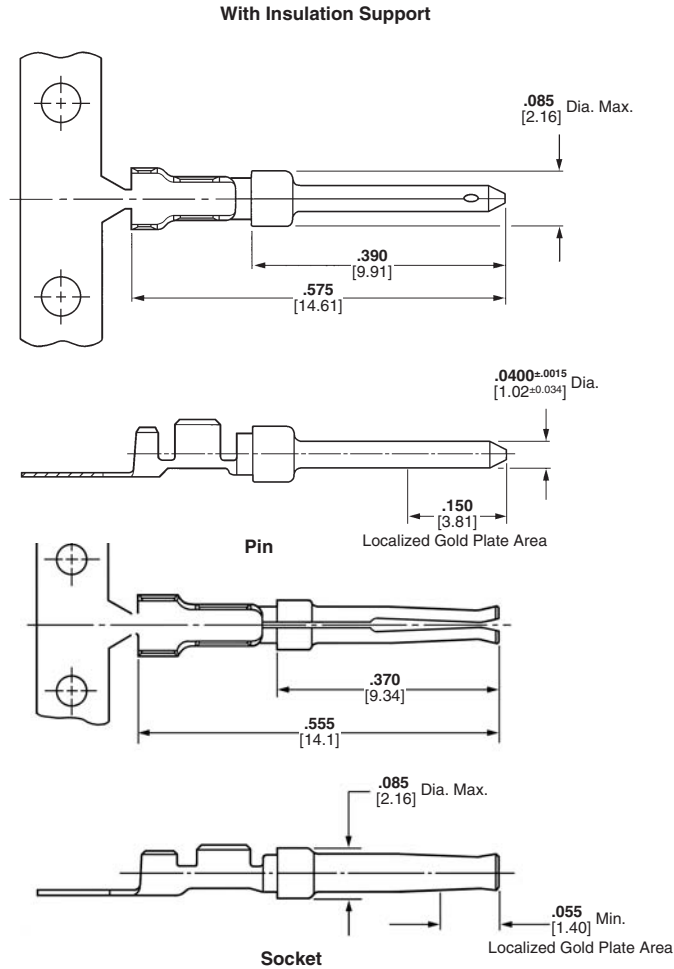
Socket

Material

Pin Body—Brass
Socket—Phosphor bronze

Contact Finish

- A**—Select gold flash over nickel on entire contact, with additional .000030 [0.00076] gold on mating end
 - B**—Duplex plated .000030 [0.00076] gold on mating end, tin on termination end, with entire contact nickel underplated
 - C**—Gold flash over nickel on entire contact
 - D**—Duplex plated gold flash on mating end, tin on termination end, with entire contact nickel underplated
- Insertion/Extraction Tool **Part No. 91285-1**
 Instruction Sheet—408-9404
 This tool includes interchangeable tips to Insert/Extract:
 Size 22, 28-22 AWG [0.08-0.03mm²] Crimp Contacts
 Size 20, 28-20 AWG [0.08-0.6mm²] Crimp and Solder Cup Contacts
 Size 20, Posted Contacts

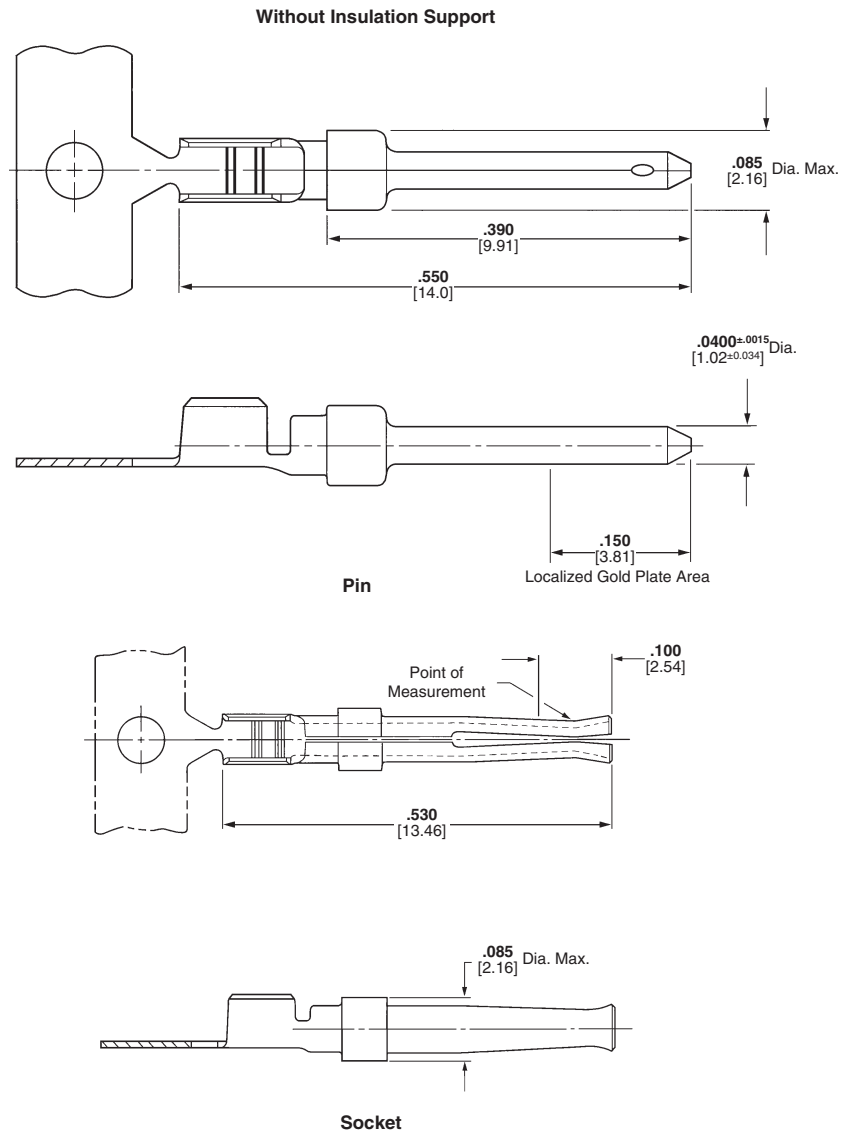
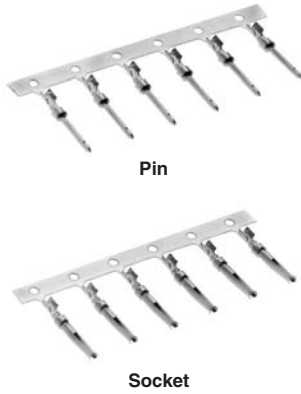


| Wire Size Range | Ins. Dia. Max. | Contact Finish Code | Contact Part Nos. | | | | Tooling** | | Color Code (Loose Piece) |
|---------------------------------------|----------------|---------------------|-------------------|-------------|--------------|-------------|--|-----------|--------------------------|
| | | | Pin | | Socket | | Strip Form Applicator†† | Hand Tool | |
| | | | Strip Form | Loose Piece | Strip Form | Loose Piece | | | |
| 28-24 AWG [0.08-0.2 mm ²] | 1.02 | A | 66507-3♦ | 66507-9♦ | 66505-3♦ | 66505-9♦ | 466423-□††♦ or 466901-1††♦ or 1016015-1††♦ | 91503-1†♦ | Blue Dot |
| | | B | 1658540-1♦ | 1658540-5♦ | 1658538-2♦ | — | | | |
| | | C | 66507-4♦ | 1-66507-0♦ | 66505-4♦ | 1-66505-0♦ | | | |
| | | D | 1658540-5♦ | 1658540-2♦ | 1658538-3♦ | 1658538-1♦ | | | |
| 26-22 AWG [0.12-0.4 mm ²] | 1.27 | A | 66682-2♦ | 66682-4♦ | 66683-2♦ | 66683-4♦ | 466758-2††♦ or 466963-1††♦ or 567849-1††♦ | 91549-1†♦ | Black Dot |
| | | B | 5066682-9♦ | — | 1-5066683-0♦ | — | | | |
| | | C | 745254-3♦ | 745254-7♦ | 745253-3♦ | 745253-7♦ | | | |
| | | D | 5066682-6♦ | — | 5066683-7♦ | — | | | |
| 24-20 AWG [0.2-0.6 mm ²] | 1.52 | A | 66506-3♦ | 66506-9♦ | 66504-3♦ | 66504-9♦ | 466422-□††♦ or 466900-1††♦ or 567801-1††♦ or 1016002-1††♦ | 91503-1†♦ | Red Dot |
| | | B | 1658539-1♦ | 1658539-3♦ | 1658537-3♦ | 1658537-4♦ | | | |
| | | C | 66506-4♦ | 1-66506-0♦ | 66504-4♦ | 1-66504-0♦ | | | |
| | | D | 1658539-2♦ | 1658539-4♦ | 1658537-1♦ | 1658537-2♦ | | | |

†To use with the 626 Pneumatic Tool System: remove the crimping head from the Straight Action Hand Tool (SAHT) Assembly, order SAHT Adapter **Part No. (Call Technical Support at 800-522-6752)**, Adapter Holder **Part No. 356304-1** (with ratchet) or **189928-1** (without), and Power Unit **Part No. 189721-1** (hand actuated) or **189722-1** (foot actuated).
 ††For complete information on AMP Strip Form Applicators for fully automatic and semiautomatic machines, contact Technical Support: 1-800-522-6752.
Note: Commercial PRO-CRIMPER II Maintenance and Repair Hand Tool for Wire Size 28-24 AWG [0.08-0.2mm²] (Ins. Dia. Max. .040 [1.02]), and Wire Size 24-20 AWG [0.2-0.6mm²] (Ins. Dia. Max. .060 [1.52])—**Part No. 58448-2**.
Note: Die Set **Part No. 58448-3** can be adapted for use with the 626 Pneumatic Tool System.
 **There are power options available for these tools/dies. See Battery Powered Crimp tool Kit and SDE Electric Terminator on page 30.
Note: All part numbers are RoHS compliant except: ♦ Indicates non-RoHS compliant.

Signal Contacts (Continued)

Size 20 DF, Crimp, Snap-In
(Continued)



| Wire Size Range | Ins. Dia. Max. | Contact Finish Code | Contact Part Nos. | | | | Tooling** | | Color Code (Loose Piece) |
|--|----------------|---------------------|-------------------|-------------|-------------|-------------|-----------------------|-----------|--------------------------|
| | | | Pin | | Socket | | Strip Form Applicator | Hand Tool | |
| | | | Strip Form | Loose Piece | Strip Form | Loose Piece | | | |
| 28-24 AWG [0.08-0.2 mm ²] | .068 1.73 | A | 205310-2♦ | — | 205311-3♦ | — | †† | — | — |
| | | C | — | — | — | — | | | |
| 24-20 AWG [0.2-0.6 mm ²] | .068 1.73 | A | 205202-2♦ | — | 205201-3♦ | 205201-5♦ | †† | 91548-1♦ | Red Dot |
| | | C | 205202-6♦ | 205202-7♦ | 205201-6♦ | 205201-7♦ | | | |
| 22-18 AWG [0.4-0.8 mm ²] | .068 1.73 | A | 745229-2♦ | 745229-4♦ | 745230-2♦ | 745230-4♦ | | | |
| | | B | 1-745229-1♦ | — | 1-745230-1♦ | 1-745230-3♦ | †† | 91513-1♦ | Green Dot |
| | | C | 745229-5♦ | 745229-7♦ | 745230-5♦ | 745230-7♦ | | | |
| | | D | — | — | 745230-8♦ | — | | | |

††For complete information on AMP Strip Form Applicators for fully automatic and semiautomatic machines, contact Technical Support: 1-800-522-6752.

Note: Wire insulation diameter is limited by the connector housing cavity and clearance for the insertion/extraction tool.

**There are power options available for these tools/dies. See Battery Powered Crimp tool Kit and SDE Electric Terminator on page 30.

Note: All part numbers are RoHS compliant except: ♦ Indicates non-RoHS compliant.

Signal Contacts (Continued)

Size 20 DF, Solder, Snap-In

Contact Size—20

*See Product Spec 108-40005



Pin

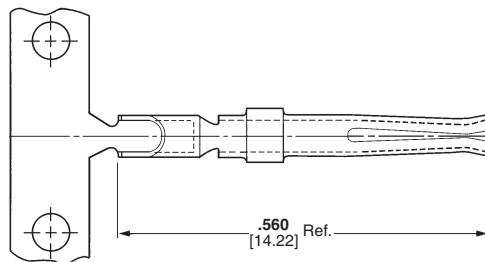


Socket

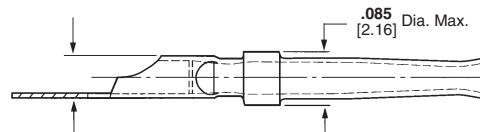


Pin

Localized Gold Plate Area



.070 [1.78] Dia. Max.



Socket

Material

Pin—Brass

Socket—Phosphor bronze

Contact Finish

Gold flash over nickel on entire contact, with additional .000030 [0.00076] gold on mating end

Contacts to be soldered to wire before being inserted into housing.
18 AWG [0.8-0.9 mm²] Max. Wire

| Strip Form Contact No. | | Loose Piece Contact No. | |
|------------------------|---------|-------------------------|---------|
| Pin | Socket | Pin | Socket |
| 66570-2 | 66569-2 | 66570-3 | 66569-3 |

Note: All part numbers are RoHS compliant.

Mouser Electronics

Authorized Distributor

Click to View Pricing, Inventory, Delivery & Lifecycle Information:

[TE Connectivity:](#)

[66405-4](#)