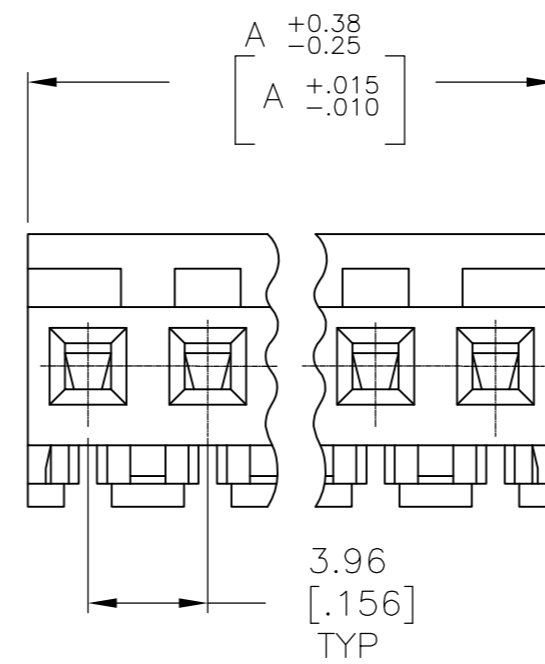
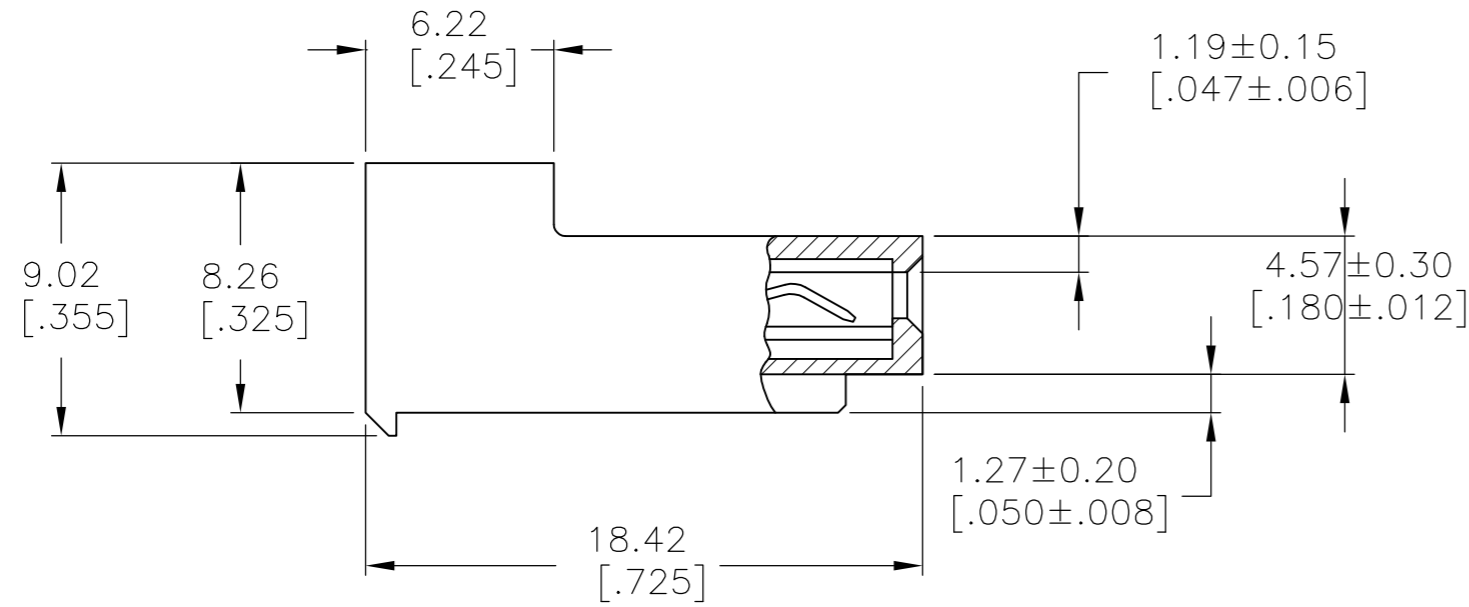
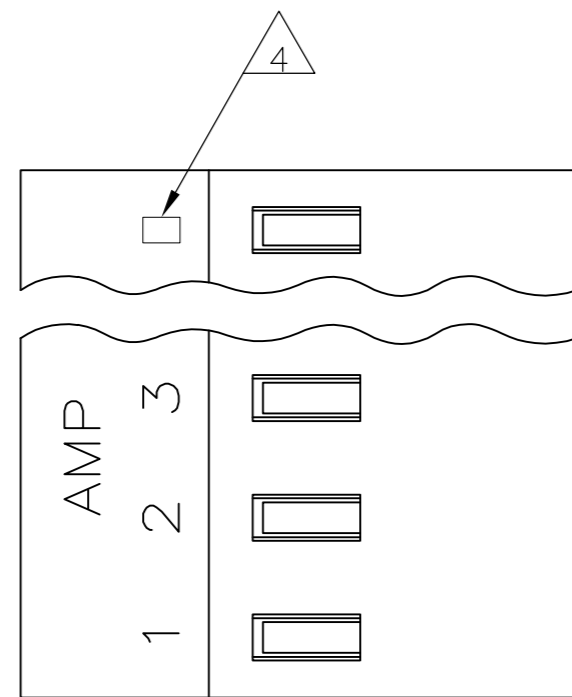


THIS DRAWING IS UNPUBLISHED. RELEASED FOR PUBLICATION
 © COPYRIGHT - By - TE CONNECTIVITY ALL RIGHTS RESERVED.

LOC	DIST	REVISIONS					
CM	OO	P	LTR	DESCRIPTION	DATE	DWN	APVD
		U2		REVISED PER ECR-17-018200	09JAN2018	BDA	SG



95.10[3.744]	24	5-640432-4
91.13[3.588]	23	5-640432-3
87.17[3.432]	22	5-640432-2
83.21[3.276]	21	5-640432-1
79.25[3.120]	20	5-640432-0
75.29[2.964]	19	4-640432-9
71.32[2.808]	18	4-640432-8
67.36[2.652]	17	4-640432-7
63.40[2.496]	16	4-640432-6
59.44[2.340]	15	4-640432-5
55.47[2.184]	14	4-640432-4
51.51[2.028]	13	4-640432-3
47.55[1.872]	12	4-640432-2
43.59[1.716]	11	4-640432-1
39.62[1.560]	10	4-640432-0
35.66[1.404]	9	3-640432-9
31.70[1.248]	8	3-640432-8
27.74[1.092]	7	3-640432-7
23.77[.936]	6	3-640432-6
19.81[.780]	5	3-640432-5
15.85[.624]	4	3-640432-4
11.89[.468]	3	3-640432-3
7.92[.312]	2	3-640432-2

1 MATERIAL: CONNECTOR - NYLON UL94-V2 (YELLOW).
 CONTACTS - 0.30[.012] THICK COPPER ALLOY
 (BRIGHT TIN-LEAD 0.00203[.000080] MIN. THICK
 FOR CONTACTS 640432-2 THRU 2-640432-4).
 (MATTE WHISKER MITIGATED TIN 0.00203[.000080] MIN.
 THICKNESS OVER NICKEL UNDERPLATE FOR 3-640432-2
 THRU 5-640432-4).

2 CONTACTS ACCEPT 20 AWG WIRE WITH 2.41[.095] MAX
 INSULATION DIAMETER.

3 CONTACTS MUST ACCEPT 1.14±0.03[.045]
 POST AND REMAIN LOCKED IN POSITION.

4 IDENTIFICATION NUMBER FOR LAST CIRCUIT MAY
 NOT APPEAR ON ALL ASSEMBLIES.

5 DIMENSIONS IN BRACKETS ARE IN INCHES.

6 HOUSING FEATURES ARE: CLOSED END WITH LOCKING
 RAMP.

7 OBSOLETE PARTS: OBSOLETE CIS STREAMLINING PER D.RENAUD/D.SINIS

8 OBSOLETE PARTS

7	SUPERCEDED BY 5-640432-4	95.10[3.744]	24	2-640432-4
	SUPERCEDED BY 3-640432-3	91.13[3.588]	23	2-640432-3
	SUPERCEDED BY 5-640432-2	87.17[3.432]	22	2-640432-2
	SUPERCEDED BY 5-640432-1	83.21[3.276]	21	2-640432-1
	SUPERCEDED BY 5-640432-0	79.25[3.120]	20	1-640432-0
	SUPERCEDED BY 4-640432-9	75.29[2.964]	19	1-640432-9
	SUPERCEDED BY 4-640432-8	71.32[2.808]	18	1-640432-8
	SUPERCEDED BY 4-640432-7	67.36[2.652]	17	1-640432-7
	SUPERCEDED BY 4-640432-6	63.40[2.496]	16	1-640432-6
	SUPERCEDED BY 4-640432-5	59.44[2.340]	15	1-640432-5
	SUPERCEDED BY 4-640432-4	55.47[2.184]	14	1-640432-4
	SUPERCEDED BY 4-640432-3	51.51[2.028]	13	1-640432-3
	SUPERCEDED BY 4-640432-2	47.55[1.872]	12	1-640432-2
	SUPERCEDED BY 4-640432-1	43.59[1.716]	11	1-640432-1
	SUPERCEDED BY 4-640432-0	39.62[1.560]	10	1-640432-0
	SUPERCEDED BY 3-640432-9	35.66[1.404]	9	1-640432-9
	SUPERCEDED BY 3-640432-8	31.70[1.248]	8	1-640432-8
	SUPERCEDED BY 3-640432-7	27.74[1.092]	7	1-640432-7
	SUPERCEDED BY 3-640432-6	23.77[.936]	6	1-640432-6
	SUPERCEDED BY 3-640432-5	19.81[.780]	5	1-640432-5
	SUPERCEDED BY 3-640432-4	15.85[.624]	4	1-640432-4
	SUPERCEDED BY 3-640432-3	11.89[.468]	3	1-640432-3
	SUPERCEDED BY 3-640432-2	7.92[.312]	2	1-640432-2

THIS DRAWING IS A CONTROLLED DOCUMENT.		DWN S. CARPENTER 13AUG2003	TE Connectivity	
DIMENSIONS: mm [INCHES]		CHK D. BOSSI 13AUG2003	NAME	
TOLERANCES UNLESS OTHERWISE SPECIFIED:		APVD D. BOSSI 13AUG2003	MTA 156 CONNECTOR ASSEMBLY, 20 AWG, STANDARD	
0 PLC ± - 1 PLC ± - 2 PLC ± - 3 PLC ± 0.13 [.005] 4 PLC ± - ANGLES ± -		PRODUCT SPEC 108-1051	SIZE A2	CAGE CODE 00779
MATERIAL 1		APPLICATION SPEC 114-1020	DRAWING NO C-640432	RESTRICTED TO -
FINISH 1		WEIGHT	SCALE 4:1	SHEET 1 OF 1
		CUSTOMER DRAWING	REV U2	

Mouser Electronics

Authorized Distributor

Click to View Pricing, Inventory, Delivery & Lifecycle Information:

[TE Connectivity:](#)

[3-640432-6](#)