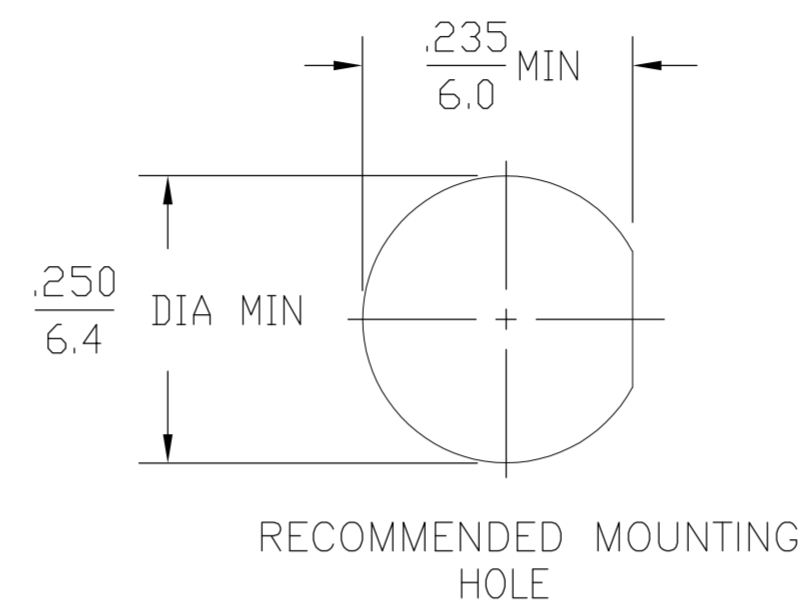
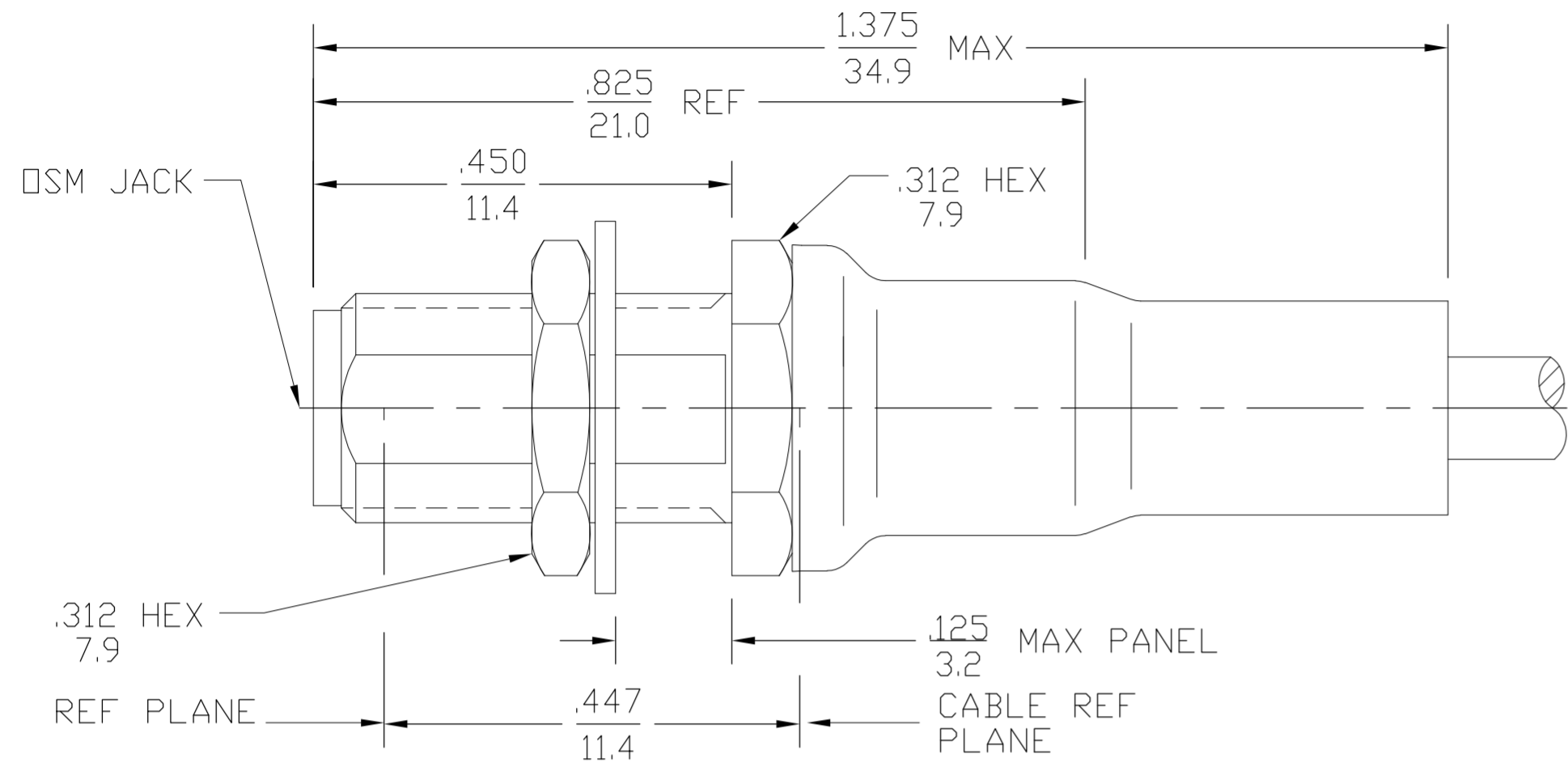


THIS DRAWING IS UNPUBLISHED. RELEASED FOR PUBLICATION  
 © COPYRIGHT BY TYCO ELECTRONICS CORPORATION. ALL INTERNATIONAL RIGHTS RESERVED.

CABLE ENTRY DIAMETER MINIMUM	
HOUSING	.065
CONTACT	.021
FERRULE	.126

LOC AJ  
 DIST 00

REVISIONS					
P	LTR	DESCRIPTION	DATE	DWN	APVD
A		REVISED PER ECN 94-0474	07-28-95	-	BAH
B		REVISED PER ECO-08-030676	02-24-09	AEG	JKO



- ① BRASS
- ② STAINLESS STEEL
- ③ BERYLLIUM COPPER
- ④ PTFE
- ⑤ GOLD PLATE
- ⑥ POLYOLEFIN COMPOUND
- ⑦ BRASS OR COPPER

DESIGNED FOR USE WITH RG 188/U AND OTHER CABLES HAVING SIMILAR DIAS.

ELECTRICAL	MECHANICAL	ENVIRONMENTAL
Nominal Impedance (Ohms) <u>50</u>	Interface Dimensions MIL-STD-348A, Fig. 310-2	TEMPERATURE RATING <u>-65°C TO +165°C</u>
Frequency Range (GHz) DC to 12.4GHz	Recommended Mating Torque <u>7-10 IN.LBS.</u>	Vibration MIL-STD-202, Method 204, Condition D
Volt Rating (VRMS MAX) @ Sea Level <u>250</u>	Mating Characteristics: Insertion (MAX Lbs) <u>2.0</u>	Shock MIL-STD-202, Method 213, Condition I
VSWR <u>1.15+0.02(F)GHz</u>	Withdrawal (MIN Oz) <u>1.0</u>	Thermal Shock MIL-STD-202, Method 107, Condition B, EXCEPT HIGH TEMP +85°C
Insertion Loss (dB MAX) <u>.06 √F(GHz)</u>	Force to Engage and Disengage (In-Lbs MAX) <u>2.0</u>	Moisture Resistance MIL-STD-202, Method 106
RF Leakage (dB MIN) <u>-60dB</u>	Center Contact Captivation Axial (Lbs) <u>N/A</u>	Corrosion - MIL-STD-202, Method 101, Condition B, 5% salt spray
Dielectric Withstanding Voltage (VRMS MIN) @ Sea Level <u>750</u>	Radial (In-Oz) <u>N/A</u>	
Contact Resistance (Milliohms MAX) Center Contact <u>3.0</u>	Cable Retention Axial Force (Lbs) <u>20</u>	
Outer Contact <u>2.0</u>	Torque (In-Oz) <u>N/A</u>	
Cable to Housing <u>0.5</u>	Weight (Grams) <u>TBD</u>	
RF High Potential @ Sea Level (VRMS MIN @ 5 MHz) <u>500</u>		
I.R.(Megohms MIN) <u>5,000</u>		

⑥	⑦⑤	③⑤	①⑤	④	②	①⑤	1051942-4
⑥	⑦⑤	③⑤	②⑤	④	②	②⑤	1051942-1
SHRINK TUBE	FERRULE	CONTACT	HOUSING	DIELECTRIC	LOCK WASHER	MOUNTING NUT	TE PN

THIS DRAWING IS A CONTROLLED DOCUMENT.

DWN	K.L	12/22/70	Tyco Electronics Corporation Harrisburg, PA 17105-3608			
CHK	BWC	12/28/70				
APVD	PRB	12/28/70				
PRODUCT SPEC						
APPLICATION SPEC			NAME			
			OSM STRAIGHT BULKHEAD CABLE JACK-SOLDER ATTACHMENT-NCC			
MATERIAL	FINISH	WEIGHT	SIZE	CAGE CODE	DRAWING NO	RESTRICTED TO
-	-	-	A2	00779	C=1051942	-
CUSTOMER DRAWING			SCALE	SHEET	REV	
			5:1	1 of 1	B	

# Mouser Electronics

Authorized Distributor

Click to View Pricing, Inventory, Delivery & Lifecycle Information:

[TE Connectivity:](#)

[2034-5008-00](#)