

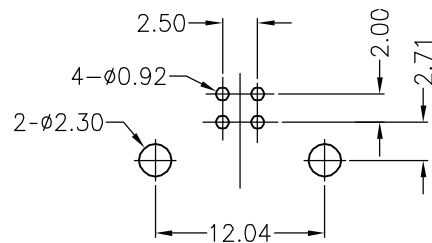
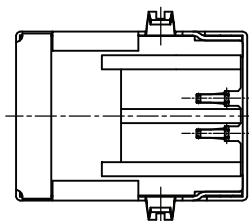
1

2

3

4

5



RECOMMENDED PCB LAYOUT
RECOMMENDED PCB THICKNESS : 1.6 mm

TECHNICAL CHARACTERISTICS

MATERIAL
INSULATOR: PBT
FLAMMABILITY RATING: UL94-V0
COLOR: WHITE
CONTACT MATERIAL: COPPER ALLOY
CONTACT TYPE: STAMPED
CONTACT PLATING: SELECTIVE GOLD
SHIELDING: BRASS Ni PLATED
QUALITY CLASS: 1500 MATING CYCLES

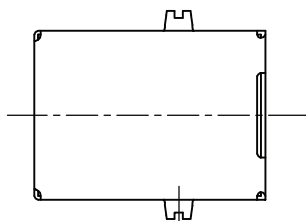
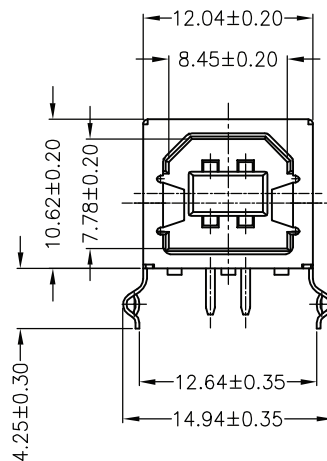
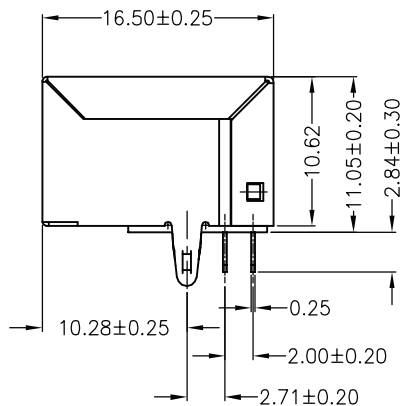
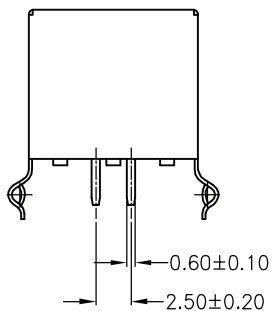
ENVIRONMENTAL
OPERATING TEMPERATURE: -40°C UP TO +105°C
COMPLIANCE: LEAD FREE AND ROHS

ELECTRICAL
CURRENT RATING: 1.5 A MAX
WORKING VOLTAGE: 30 V
INSULATOR RESISTANCE: >1000 MΩ
DIELECTRIC WITHSTANDING VOLTAGE: 750 VAC/MIN
CONTACT RESISTANCE: 20 mΩ MAX

STANDARD
 CERTIFIED: E323964

SOLDERING
JEDEC LEAD FREE WAVE SOLDERING

PACKAGING
TRAY



RoHS Compliant

PROJECTION:



GENERAL TOLERANCE

.X = ± 0.25

.XX = ± 0.20



APPROVAL: NPr

UNIT: MM

SCALE:

SHEET: 1/3

DRAW: QL

DESCRIPTION: USB 2.0 TYPE B

WERI PART NO: 614 004 161 21

SIZE

A4

REV	DATE	FILE	BY
Q	11-AUG-15	PCN	QP
P	09-AVR-15	PCB THICKNESS	QP
O	27-OCT-14	REVIEW	QL

1

2

3

4

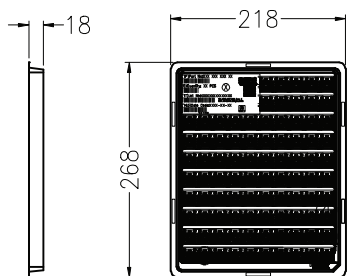
5

A

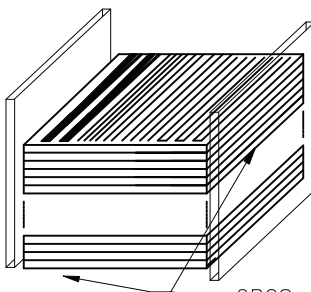
B

C

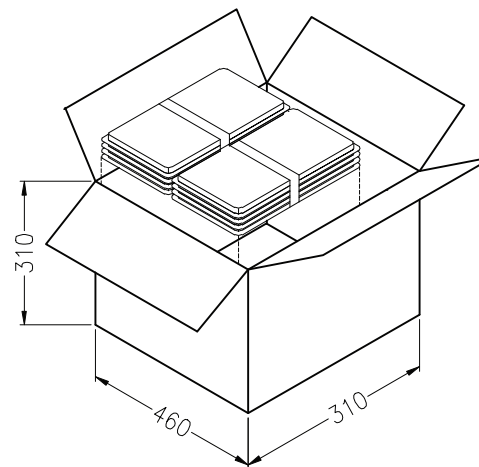
D



268*218*18mm



315x234x19MM



Packaging Qty

100 pcs/tray	32 trays/carton	3200 pcs/carton
--------------	-----------------	-----------------

RoHS Compliant

PROJECTION:



GENERAL TOLERANCE

.X = +/- 0.25

.XX = +/- 0.20



APPROVAL: NPr

UNIT: MM

SCALE:

SHEET: 2/3

DRAW: QP

DESCRIPTION: USB 2.0 TYPE B

WERI PART NO: 614 004 161 21

SIZE

A4

REV	DATE	FILE	BY
-----	------	------	----

1

2

3

4

5

Cautions and Warnings:

This electronic component is designed and developed with the intention for use in general electronics equipments.

Before incorporating the components into any equipments in the field such as aerospace, aviation, nuclear control, submarine, transportation, (automotive control, train control, ship control), transportation signal, disaster prevention, medical, public information network etc. where higher safety and reliability are especially required or if there is possibility of direct damage or injury to human body, Würth Elektronik must be asked for a written approval.

In addition, even electronic component in general electronic equipments, when used in electrical circuits that require high safety, reliability functions or performance, the sufficient reliability evaluation-check for the safety must be performed before by the user before usage.

A

B

C

RoHS Compliant

G				PROJECTION: 	GENERAL TOLERANCE .X = +/- 0.2 .XX = +/- 0.15		
F							
E							
D							
C				APPROVAL: JC	UNIT: MM	DESCRIPTION: DISCLAIMER	SIZE A4
B					SCALE:		
A	10-SEP-14	PDF	QL		SHEET: 3/3	WERI PART NO: DISCLAIMER	
REV	DATE	FILE	BY		DRAW: QL		

D

Mouser Electronics

Authorized Distributor

Click to View Pricing, Inventory, Delivery & Lifecycle Information:

[Wurth Electronics:](#)

[61400416121](#)