

NOTES:

1. MATERIALS AND FINISHES:

BODY - BRASS - GOLD PLATED (.000010" MIN.)  
 CONTACT - BERYLLIUM COPPER - GOLD PLATED (.000030" MIN.)  
 INSULATOR - PTFE

2. PHYSICAL:

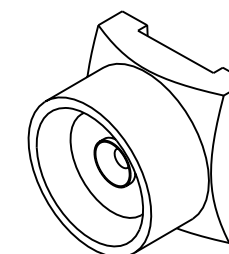
A. OPERATING TEMPERATURE = -65°C to +165°C  
 B. DURABILITY = 100 MATING CYCLES MINIMUM  
 C. INTERFACE = PROPRIETARY AFI INTERFACE  
 D. RADIAL FLOAT = ±.015

3. ELECTRICAL:

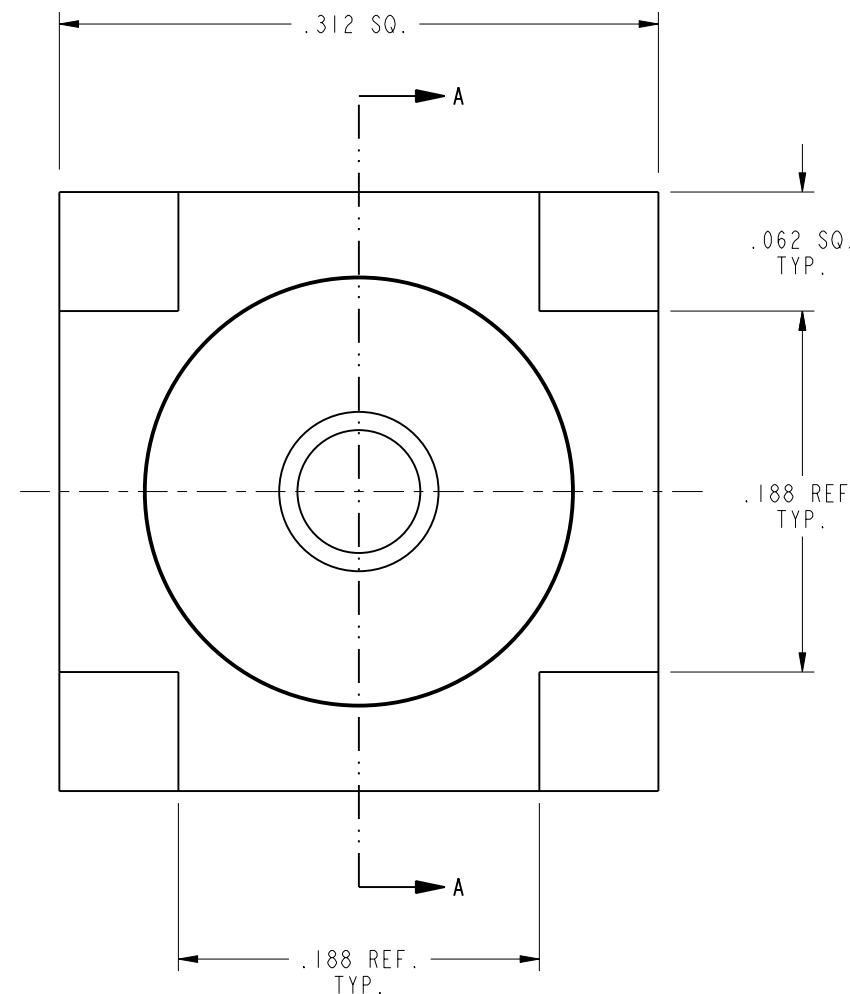
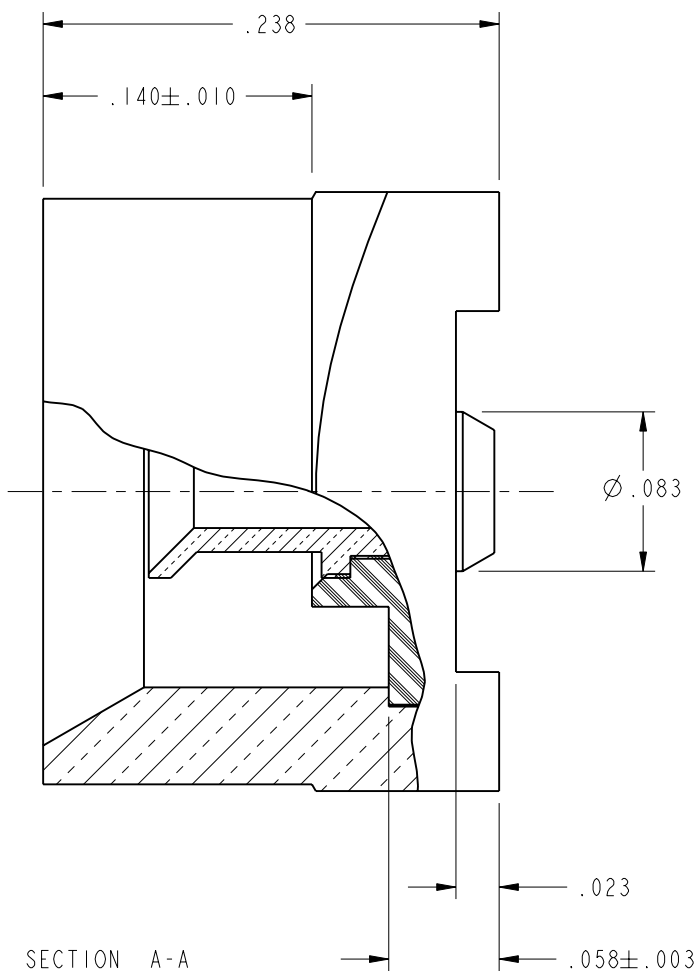
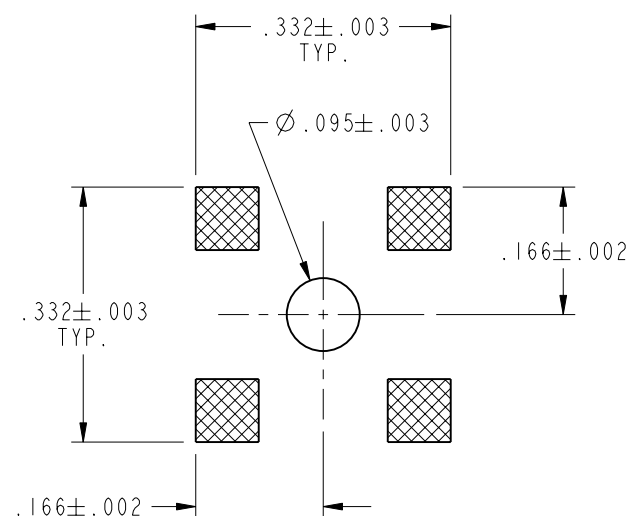
A. IMPEDANCE = 50 OHMS, NOMINAL  
 B. FREQUENCY RANGE = DC TO 6.0 GHz  
 C. RETURN LOSS = 25 dB MINIMUM

4. APPLICATION: SEE 349-50722 FOR ADDITIONAL INFORMATION REGARDING RECOMMENDED APPLICATION CONFIGURATION DETAILS.

920-160J-51P		REVISIONS			
DRAWING NO.	REV	DESCRIPTION	DATE	ECO	APPR
THIRD ANGLE PROJ.	A	RELEASE TO MFG.	8/26/04	45111	BCG
	B	CHGD NOTE 3B TO REFLECT FREQ. RANGE TO : DC-6 GHz	12/5/05	45833	HP



SCALE 3.000



**CUSTOMER OUTLINE DRAWING**  
 ALL OTHER SHEETS ARE FOR INTERNAL USE ONLY

UNLESS OTHERWISE SPECIFIED, DIMENSIONS ARE IN INCHES AND TOLERANCES ARE: 2 PLACE DECIMAL ±.015 (0,381 mm) 3 PLACE DECIMAL ±.005 (0,127 mm) ANGLES ± 1°	MATERIAL	DRAWN B.C. GLEISSNER	DATE 11-Aug-04	TITLE AFI-50 JACK, SURFACE MOUNT, SMOOTH BORE		Amphenol RF Danbury, CT, USA Tainan, Taiwan Shenzhen, China www.amphenolrf.com	
	REFERENCE 615X-1875-200	ENGINEER B.C. GLEISSNER	DATE 17-Jan-03				
NOTICE - These drawings, specifications, or other data (1) are, and remain the property of Amphenol Corp. (2) must be returned upon request; and (3) are confidential and not to be disclosed to any person other than those to whom they are given by Amphenol Corp. The furnishing of these drawings, specifications, or other data by Amphenol Corp., or to any other person to anyone for any purpose is not to be regarded by implication or otherwise in any manner licensing, granting rights or permitting such holder or any other person to manufacture, use or sell any product, process or design, patented or otherwise, that may in any way be related to or disclosed by said drawings, specifications, or other data.	EAR# 837 GEN# ASSYF17_AFI	CAD FILE I:\AFI\920-160J-51P		CODE ID 74868	DWG SIZE B	DRAWING NO. 920-160J-51P	REV B
					SCALE: 10.0:1	SHEET 2 OF 2	

# Mouser Electronics

Authorized Distributor

Click to View Pricing, Inventory, Delivery & Lifecycle Information:

[Amphenol:](#)

[920-160J-51P](#)