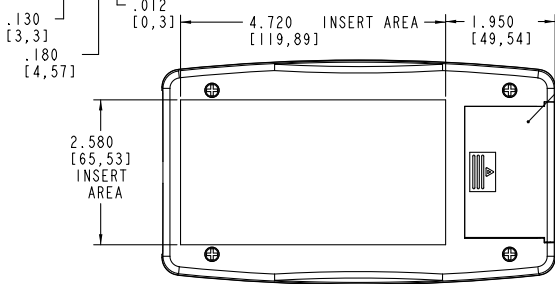
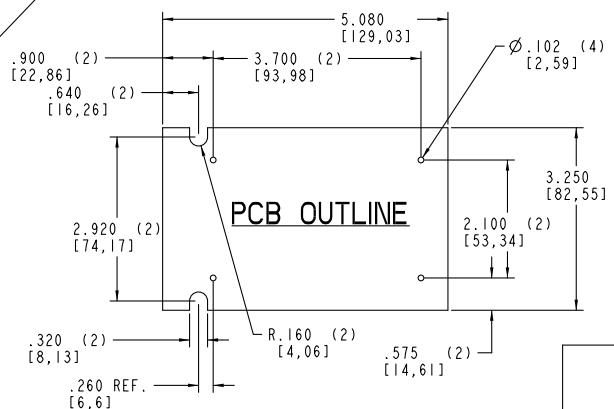


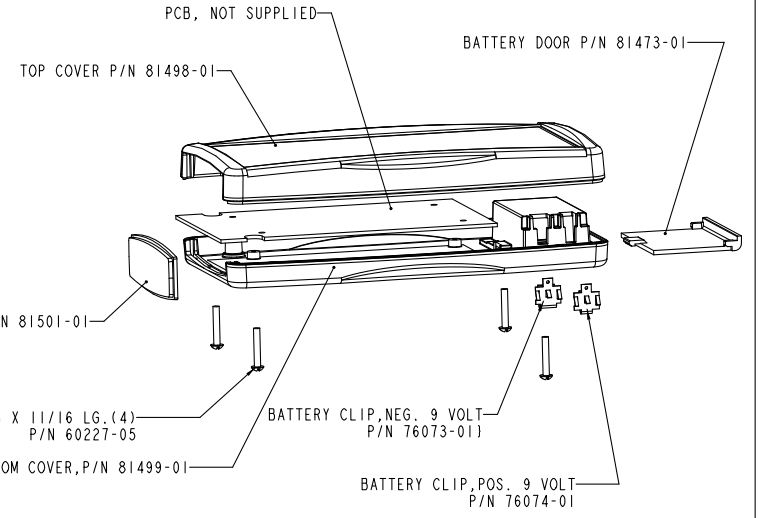
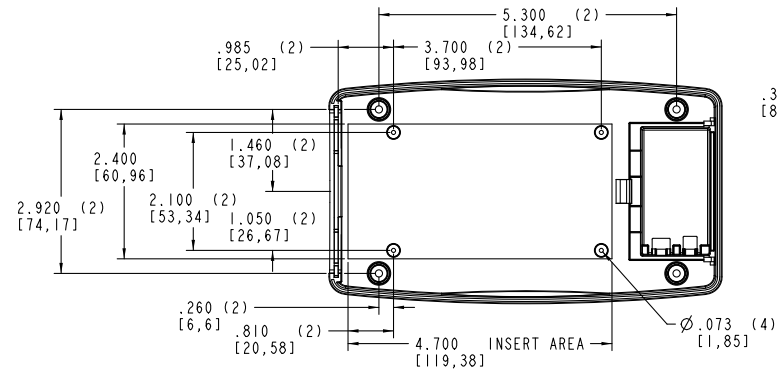
SECTION A-A



BATTERY DOOR



SUGGESTED PCB MTG. SCREW
 PHP #2B X 1/4 LG.
 WITH #2 PLASTIC WASHER



PACNTEC®
 1-610-361-4200

XPL-9VB

VISIT **PACNTEC®**
 ON THE WORLD WIDE WEB
www.pactecenclosures.com

COLOR / MATERIAL CODE		
COLOR	94HB	94VO
BLACK	000	028
P. C. BONE	039	060

DRAWING NUMBER	REV
81541	A

Mouser Electronics

Authorized Distributor

Click to View Pricing, Inventory, Delivery & Lifecycle Information:

PacTec:

[81496-510-039 K-XPL-9VB BONE Kit](#)