

PART  
NAME

NEMA 4X PLASTIC BOX w/EXTERNAL MTG. BRKT.

PART  
No.

PN-1322-MB PN-1322-CMB PN-1322-DGMB

REVISION  
DATE

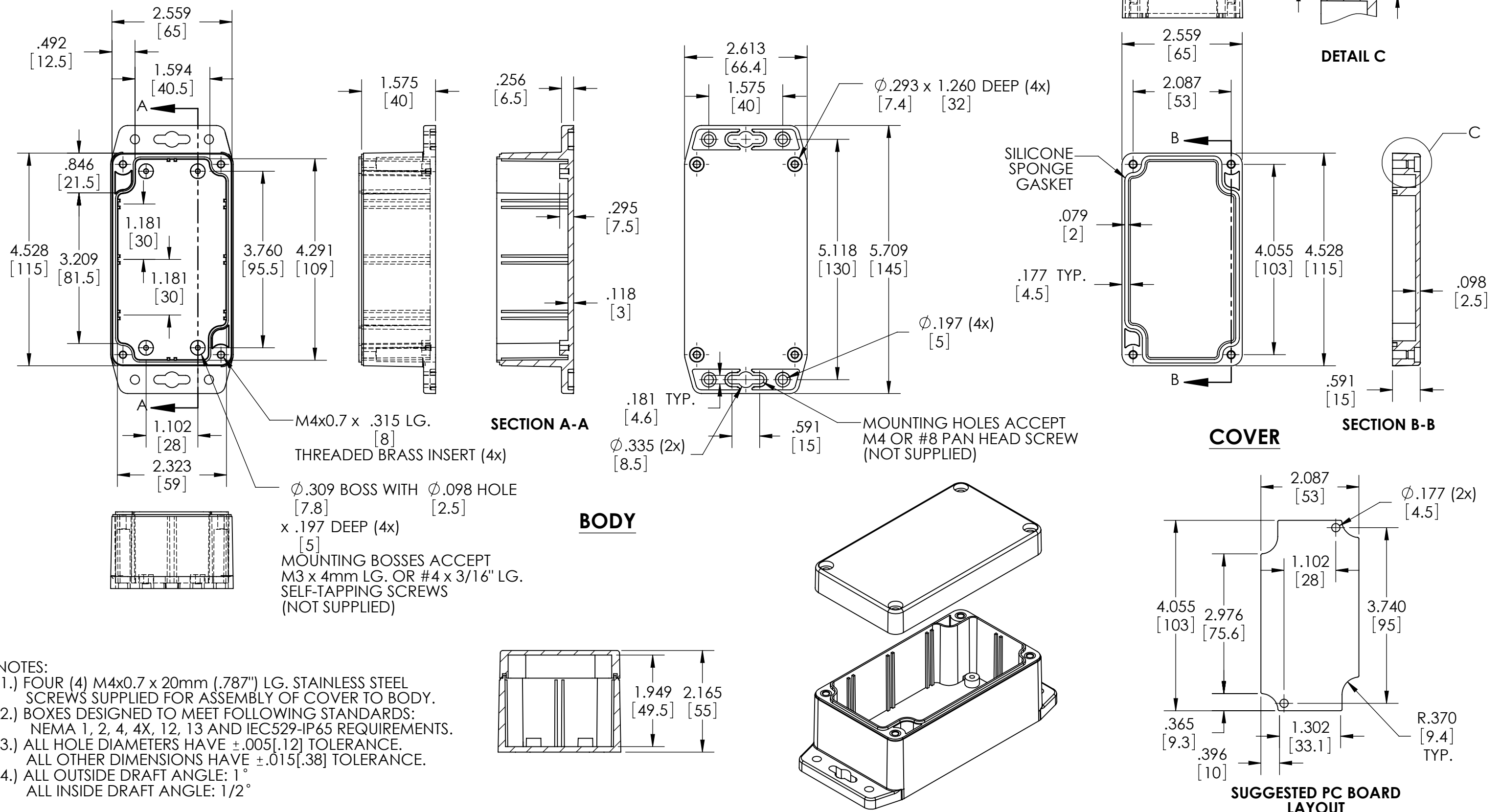
5-26-11

## MATERIAL &amp; FINISH:

(-MB SUFFIX PART NO.) POLYCARBONATE UL94-HB, UV STABILIZED, SERVICE TEMPERATURE RANGE: -40°C TO +120°C, LIGHT GRAY BODY & COVER.

(-CMB SUFFIX PART NO.) SAME AS -MB EXCEPT CLEAR COVER.

(-DGMB SUFFIX PART NO.) ABS UL94-HB, SERVICE TEMPERATURE RANGE: -40°C TO +80°C, DARK GRAY BODY & COVER.



# Mouser Electronics

Authorized Distributor

Click to View Pricing, Inventory, Delivery & Lifecycle Information:

[Bud Industries:](#)

[PN-1322-CMB](#) [PN-1322-DGMB](#) [PN-1322-MB](#)