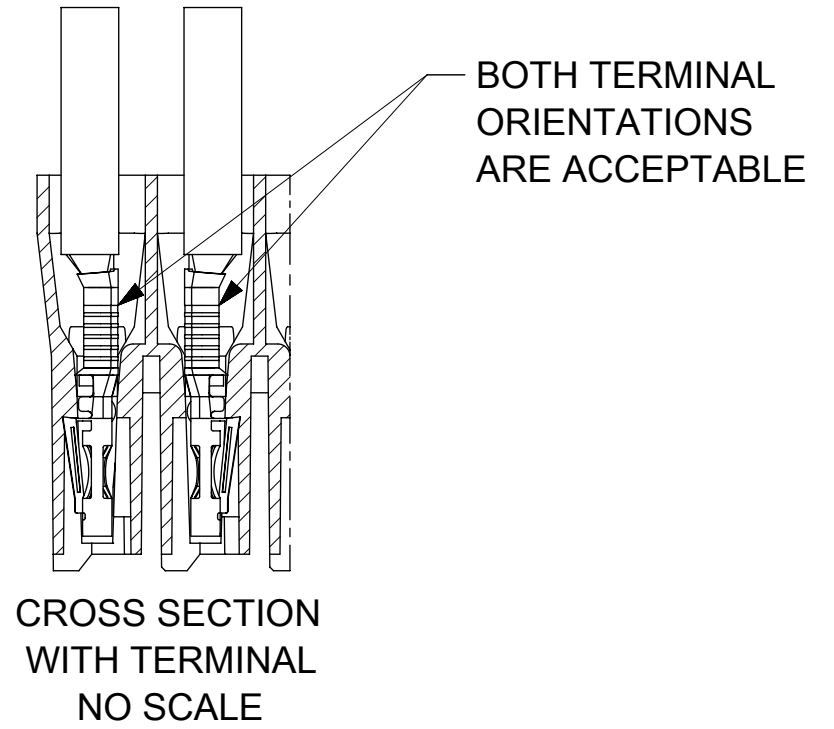
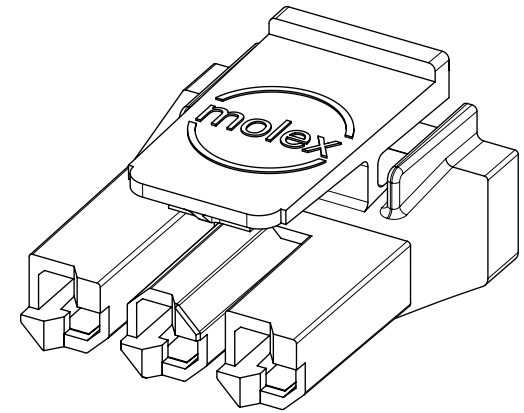
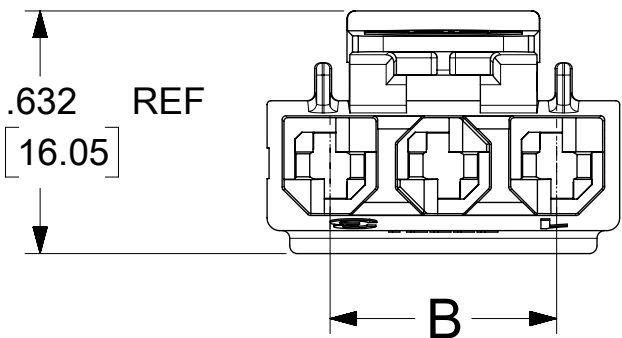


CIRCUITS	DIM A	DIM B
2	.623±.010 (15.82±0.25)	.295±.006 (7.49±0.15)
3	.918±.010 (23.32±0.25)	.590±.008 (14.99±0.20)
4	1.213±.010 (30.82±0.25)	.885±.008 (22.48±0.20)
5	1.508±.010 (38.30±0.25)	1.180±.008 (29.97±0.20)
6	1.803±.010/-0.015 (45.80 +0.25/-0.38)	1.475±.010 (37.47±0.25)
8	2.393±.010 (60.78±0.25)	2.065±.008 (52.45±0.20)

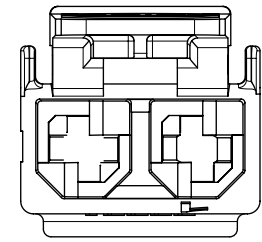


- NOTES:**
1. MATERIAL: SEE CHART.
 2. THIS CONNECTOR HOUSING FOR USE WITH 43375-**** TERMINALS.
 3. THIS CONNECTOR HOUSING WILL MATE TO A-43160-****, 43180-****, AND 43680-**** HOUSINGS.
 4. PRODUCT SPECIFICATION: PSX-44441-9999.
 5. PACKAGING: PK-44441-001.
 6. FOR V-0 AND GLOW-WIRE MATERIAL: PARTS CONFORM TO CLASS 'B' REQUIREMENTS OF COSMETIC SPECIFICATION PS-45499-002 BUT, MEETS CLASS 'C' REQUIREMENTS FOR BUBBLES, SINK AND DISCOLORATION.
 7. TEXT ON PART IS FOR REFERENCE ONLY. TEXT AND TEXT LOCATION MAY VARY DEPENDING ON PART NUMBER AND/OR TOOL.
 8. LAST CIRCUIT I.D. NOT PRESENT ON 2 CIRCUIT PARTS.
 9. DIMENSION C IS .600/(15.24) FOR 2 AND 8 CIRCUIT PARTS
DIMENSION C IS .632/(16.05) FOR ALL OTHER CIRCUIT SIZES.
 10. THIS DRAWING REPLACES DRAWINGS SD-44441-*

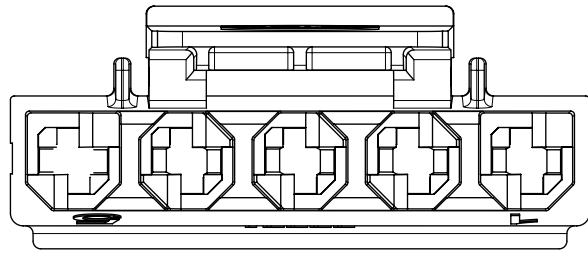
SYMBOLS		THIS DRAWING CONTAINS INFORMATION THAT IS PROPRIETARY TO MOLEX ELECTRONIC TECHNOLOGIES, LLC AND SHOULD NOT BE USED WITHOUT WRITTEN PERMISSION	
▽ = 0	IN/MM	SCALE	CURRENT REV DESC: CREATED DRAWING
▽ = 0	2:1		
▽ = 0	GENERAL TOLERANCES (UNLESS SPECIFIED)		
▽ = 0	4 PLACES ±	MM	INCH
▽ = 0	3 PLACES ±	± 0.01	
▽ = 0	2 PLACES ±	± 0.25	± 0.014
▽ = 0	1 PLACE ±	± 0.35	
▽ = 0	0 PLACES ±		
▽ = 0	ANGULAR TOL	± 0.5°	
▽ = 0	DRAFT WHERE APPLICABLE MUST REMAIN WITHIN DIMENSIONS		THIRD ANGLE PROJECTION
▽ = 0		DRAWING	SERIES
		B-SIZE	44441
		MATERIAL NUMBER	CUSTOMER
		SEE CHART	GENERAL MARKET
		DOCUMENT NUMBER	DOC TYPE DOC PART REVISION
		444410000-SD	PSD 000 A
		SHEET NUMBER	1 OF 2

CIRCUITS	ITEM NUMBER	MATERIAL	COLOR
2	44441-1002	PA66 NYLON, UL94V-2	NATURAL (TRANSLUCENT)
3	44441-1003		
4	44441-1004		
5	44441-1005		
6	44441-1006	PA66 NYLON, UL94V-2	BLACK
2	44441-2002	PA66 NYLON, UL94V-0	BLACK
3	44441-2003		
4	44441-2004		
5	44441-2005		
6	44441-2006		
8	44441-2008		
2	44441-3002	PA66 NYLON, UL94V-2 IEC 60335-1 GLOW WIRE CAPABLE	BLACK
3	44441-3003		
4	44441-3004		
5	44441-3005		
6	44441-3006		
8	44441-3008		

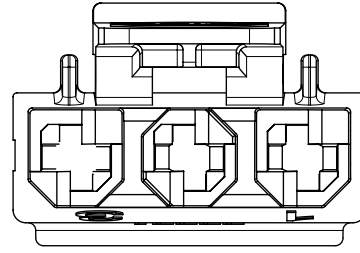
POLARIZATION LAYOUT



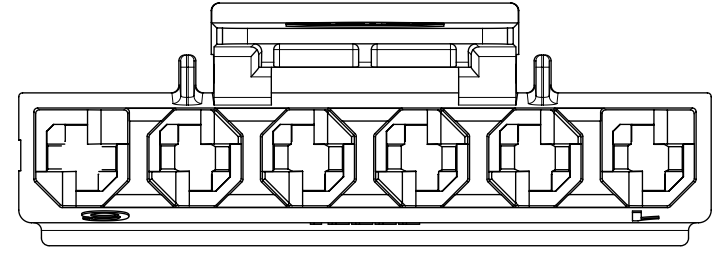
2-CKT.



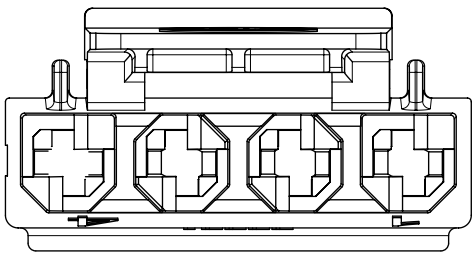
5-CKT.



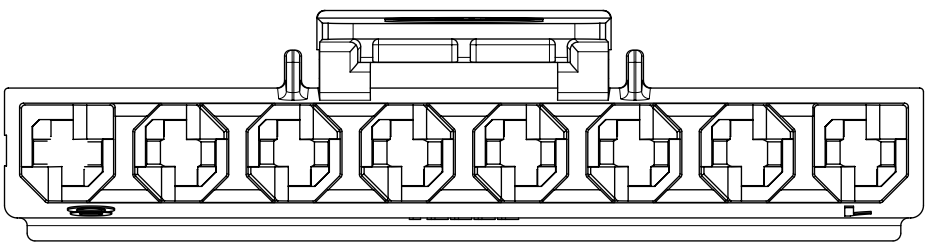
3-CKT.



6-CKT.



4-CKT.



8-CKT.

SYMBOLS = 0 = 0 = 0 = 0 = 0 = 0 = 0 = 0	THIS DRAWING CONTAINS INFORMATION THAT IS PROPRIETARY TO MOLEX ELECTRONIC TECHNOLOGIES, LLC AND SHOULD NOT BE USED WITHOUT WRITTEN PERMISSION		CURRENT REV DESC: CREATED DRAWING		 44441 SABRE RECEPTACLE TPA HOUSING PRODUCT CUSTOMER DRAWING			
	DIMENSION UNITS	SCALE	EC NO: 173425 DRWN: CSLAFTER 2016/12/28 CHK'D: MKIPPER 2018/03/09 APPR: FSMITH 2018/03/16					
	IN/MM	2:1						
	GENERAL TOLERANCES (UNLESS SPECIFIED)		INITIAL REVISION:					
4 PLACES ±	MM INCH	DRWN: CSLAFTER 2016/12/28	2016/12/28	DOCUMENT NUMBER	DOC TYPE	DOC PART	REVISION	
3 PLACES ±	± 0.01	CHK'D: MKIPPER 2018/03/09	2018/03/09	444410000-SD		PSD	000	A
2 PLACES ±	± 0.25 ± 0.014	APPR: FSMITH 2018/03/16	2018/03/16	MATERIAL NUMBER		CUSTOMER		
1 PLACE ±	± 0.35 ±	INITIAL REVISION:		SEE CHART		GENERAL MARKET		
0 PLACES ±	±	DRWN: CSLAFTER 2016/12/28	2016/12/28	SHEET NUMBER		2 OF 2		
ANGULAR TOL ± 0.5°	± 0.5°	APPR: JDFOX 2016/12/30	2016/12/30	THIRD ANGLE PROJECTION		DRAWING		
DRAFT WHERE APPLICABLE MUST REMAIN WITHIN DIMENSIONS	THIRD ANGLE PROJECTION	DRAWING	SERIES	B-SIZE		44441		