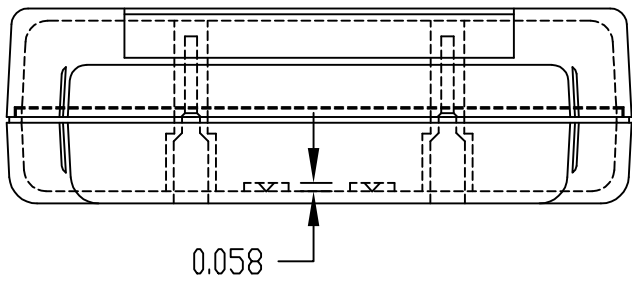
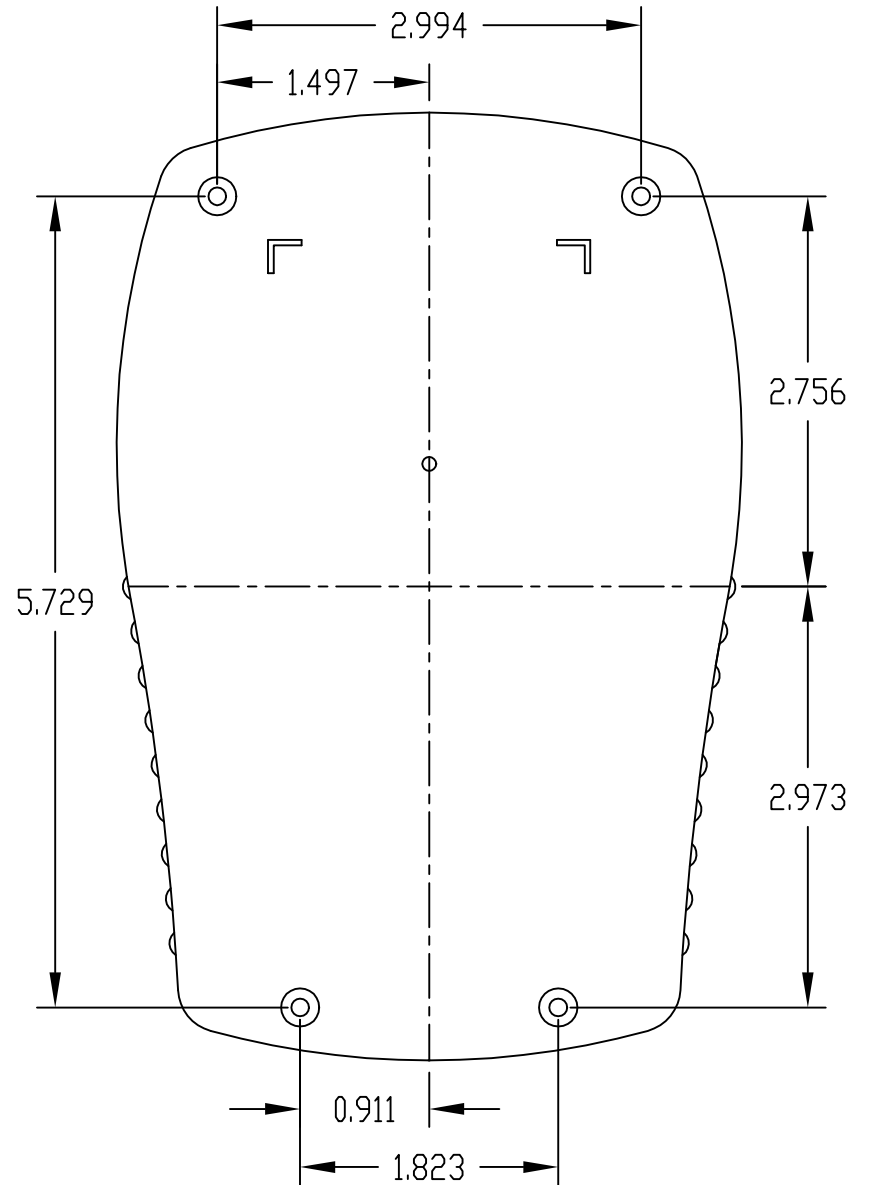
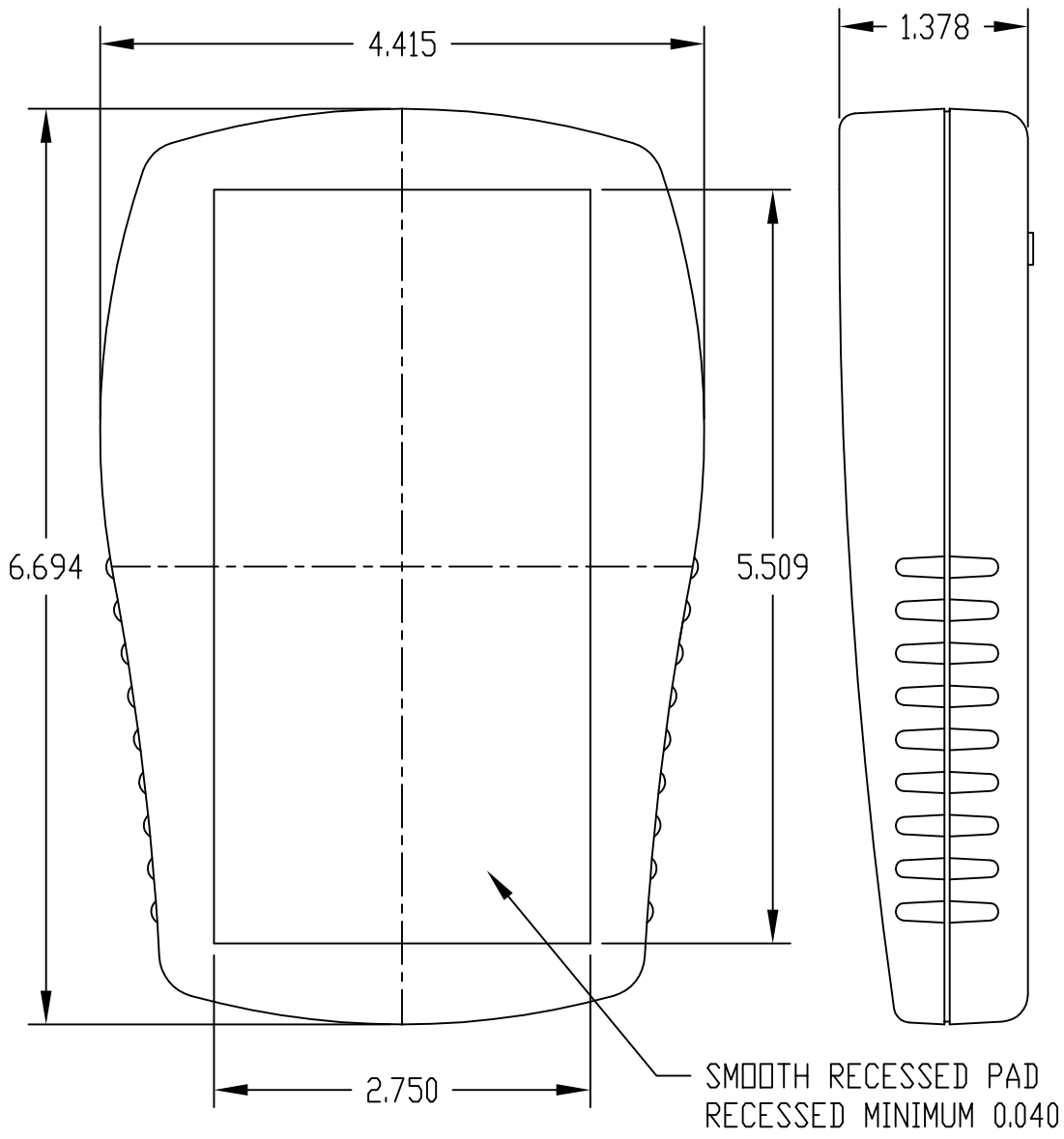


PART NAME	HAND HAND BOX (STYLE N)	PART No.	HH-3610	REV. DATE	8-27-08
-----------	-------------------------	----------	---------	-----------	---------

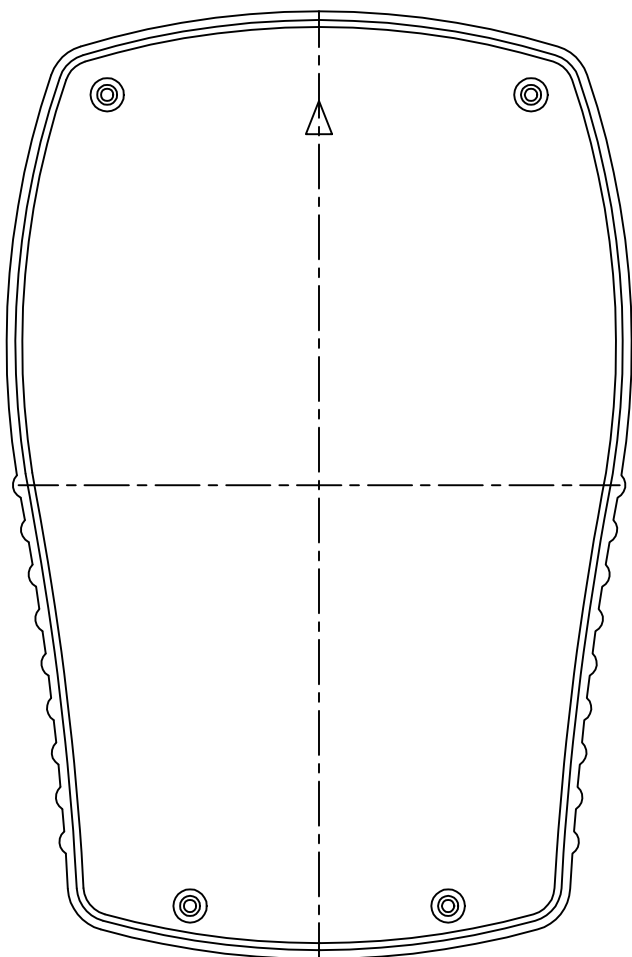
MATERIAL: HIGH IMPACT ABS WITH UL94V-0
FLAMMABILITY RATING
FINISH: TEXTURED BLACK

ALL DIMENSIONS HAVE ± 0.015 TOLERANCE
FOUR (4) M3 x 1/2" LG. FLAT HD. STAINLESS
STEEL SCREWS SUPPLIED FOR ASSEMBLY

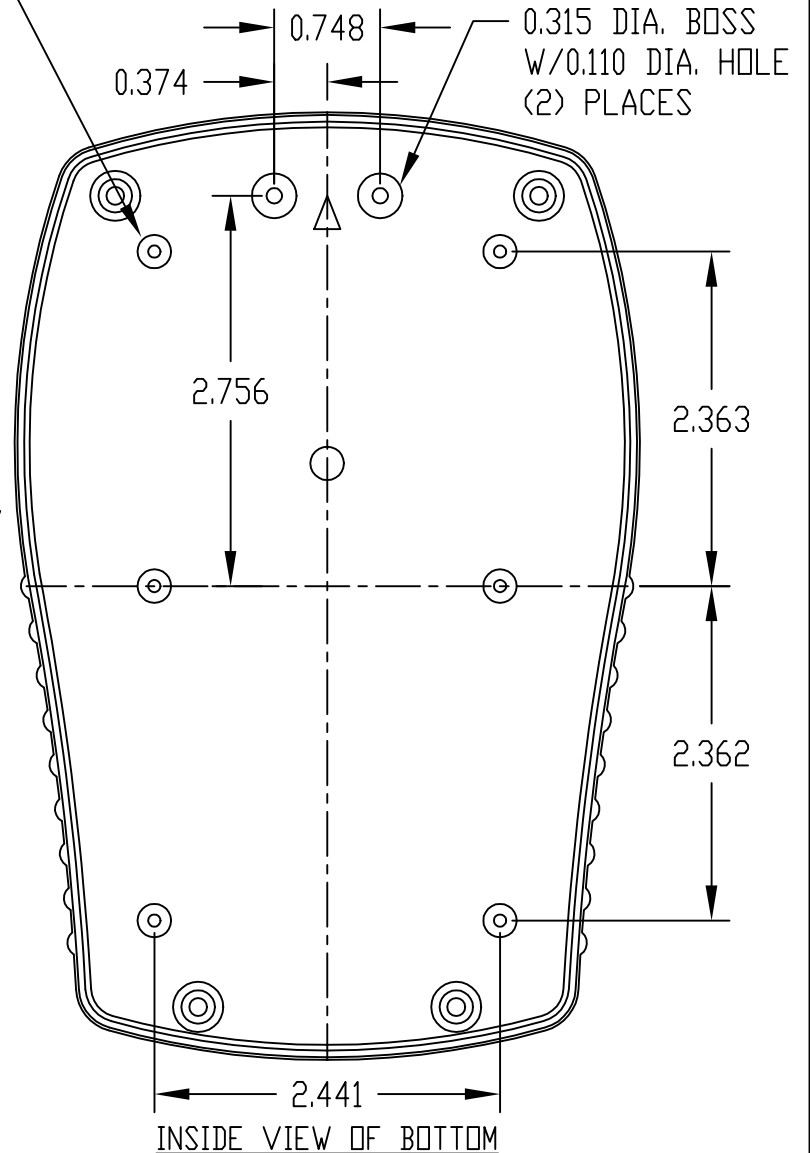
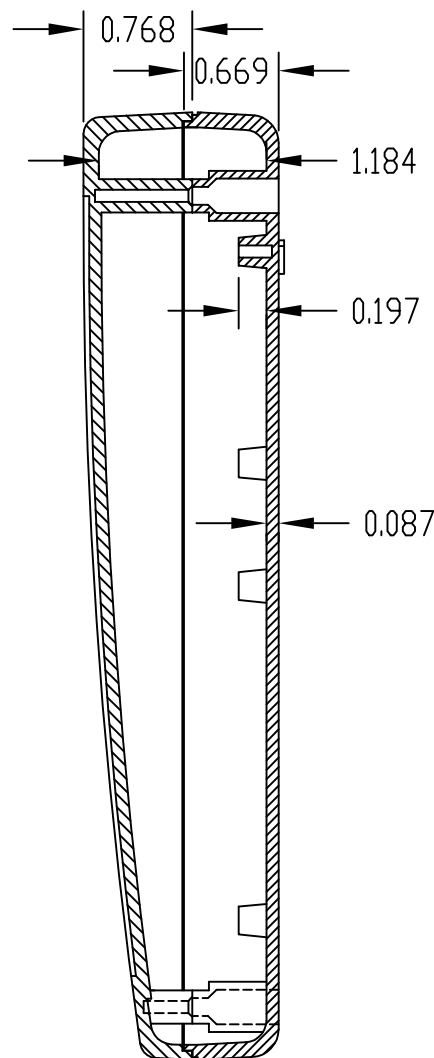


0.236 DIA. BOSS
WITH 0.087 DIA. HOLE
(6) PLACES

NOTE: MOUNTING BOSSES USE EITHER M2.5 METRIC
OR #4 STD. SHEET METAL SCREWS x 3/16" LG.
(NOT SUPPLIED)



INSIDE VIEW OF TOP



INSIDE VIEW OF BOTTOM

Mouser Electronics

Authorized Distributor

Click to View Pricing, Inventory, Delivery & Lifecycle Information:

[Bud Industries:](#)

[HH-3610-B](#)