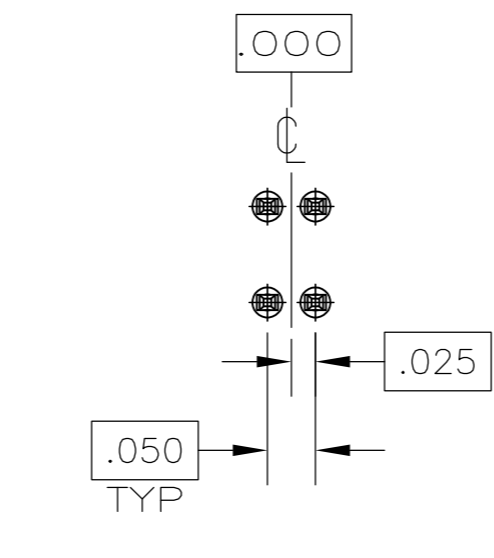
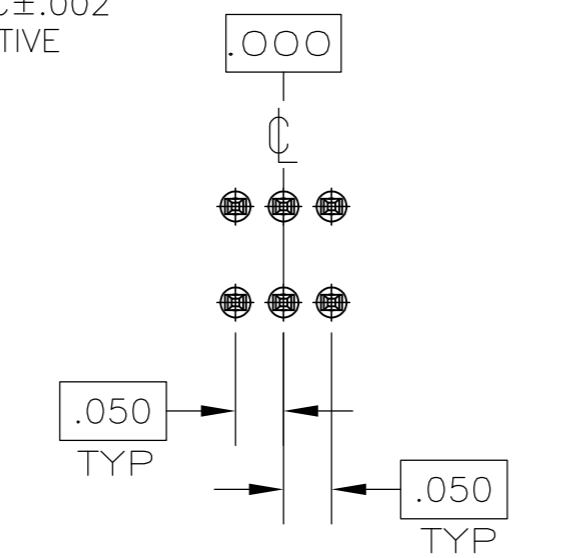
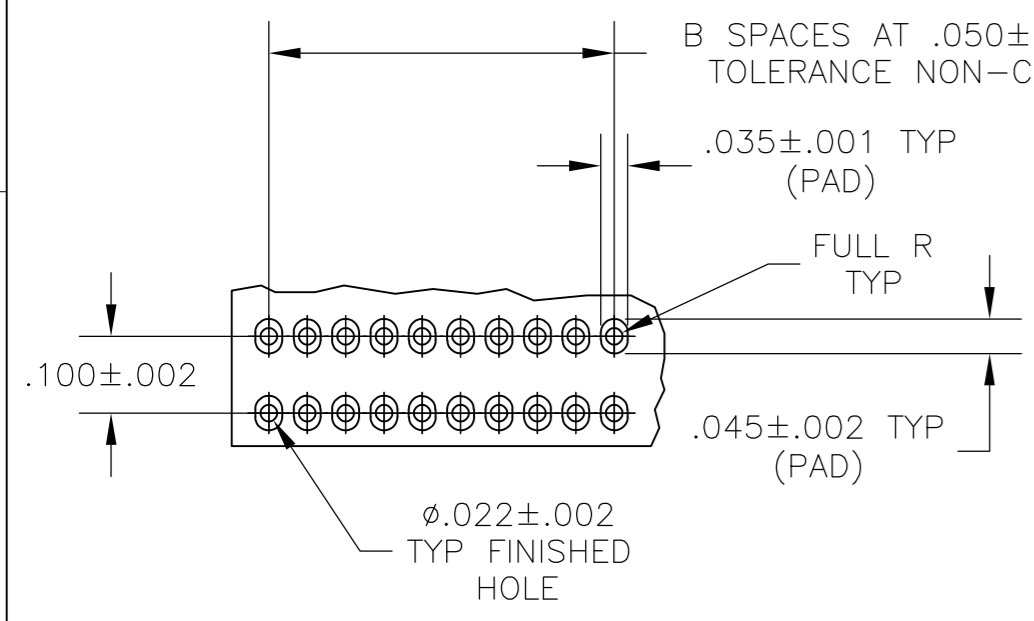
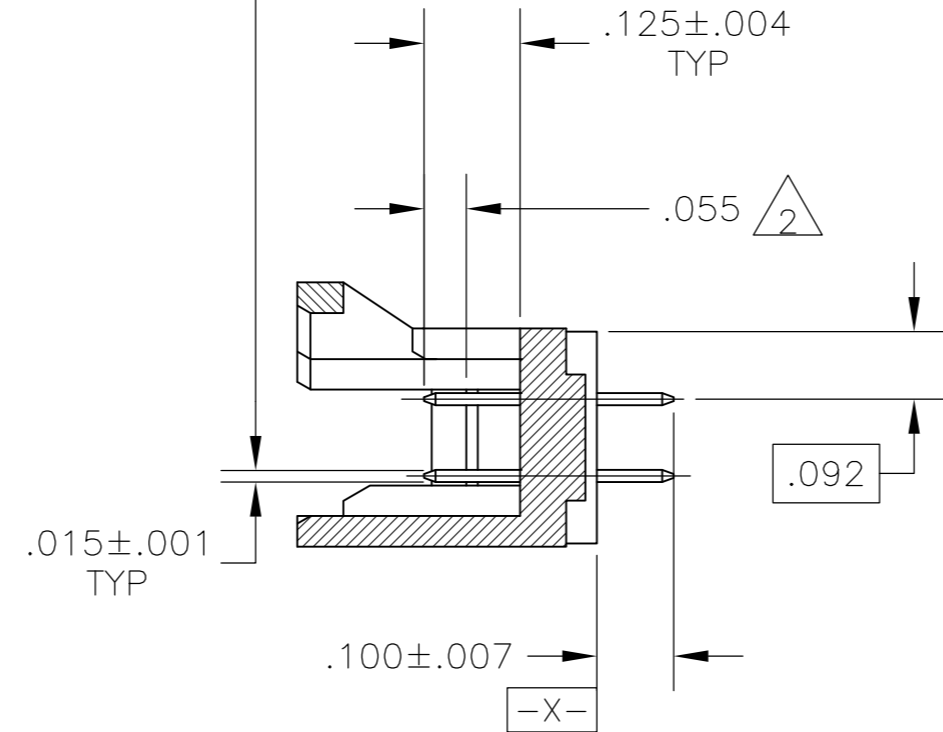
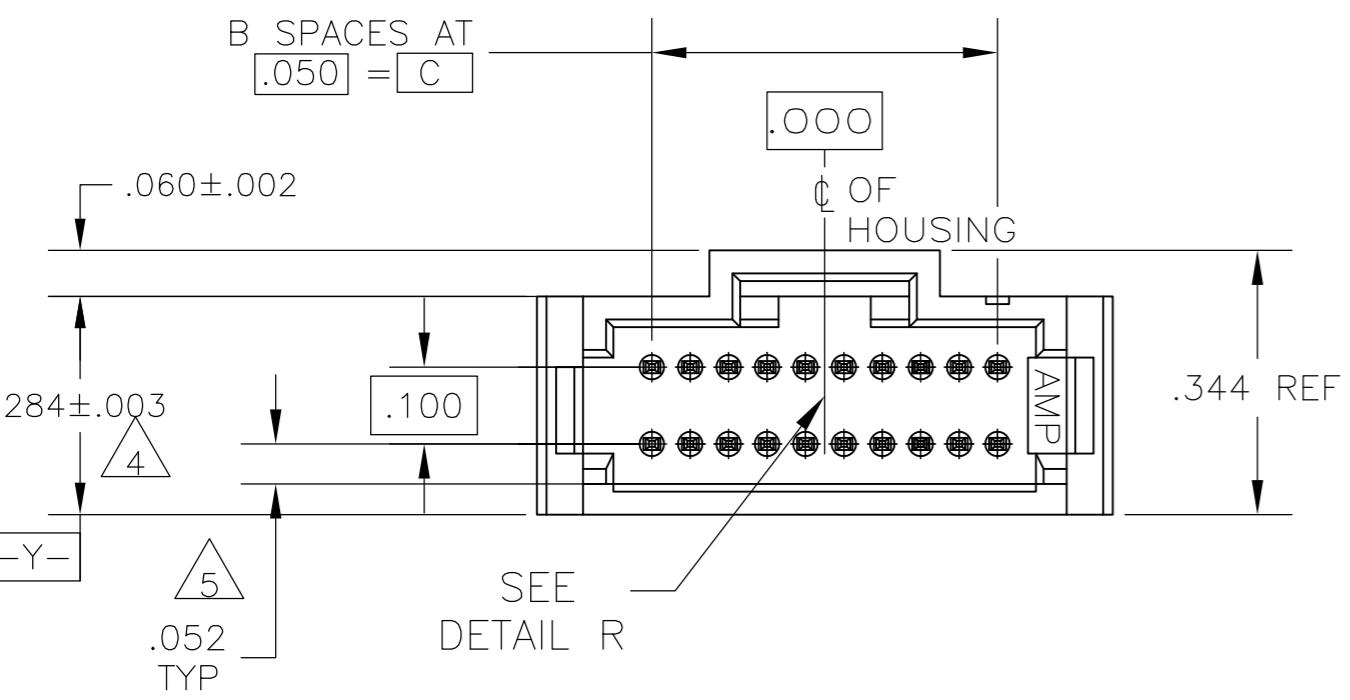
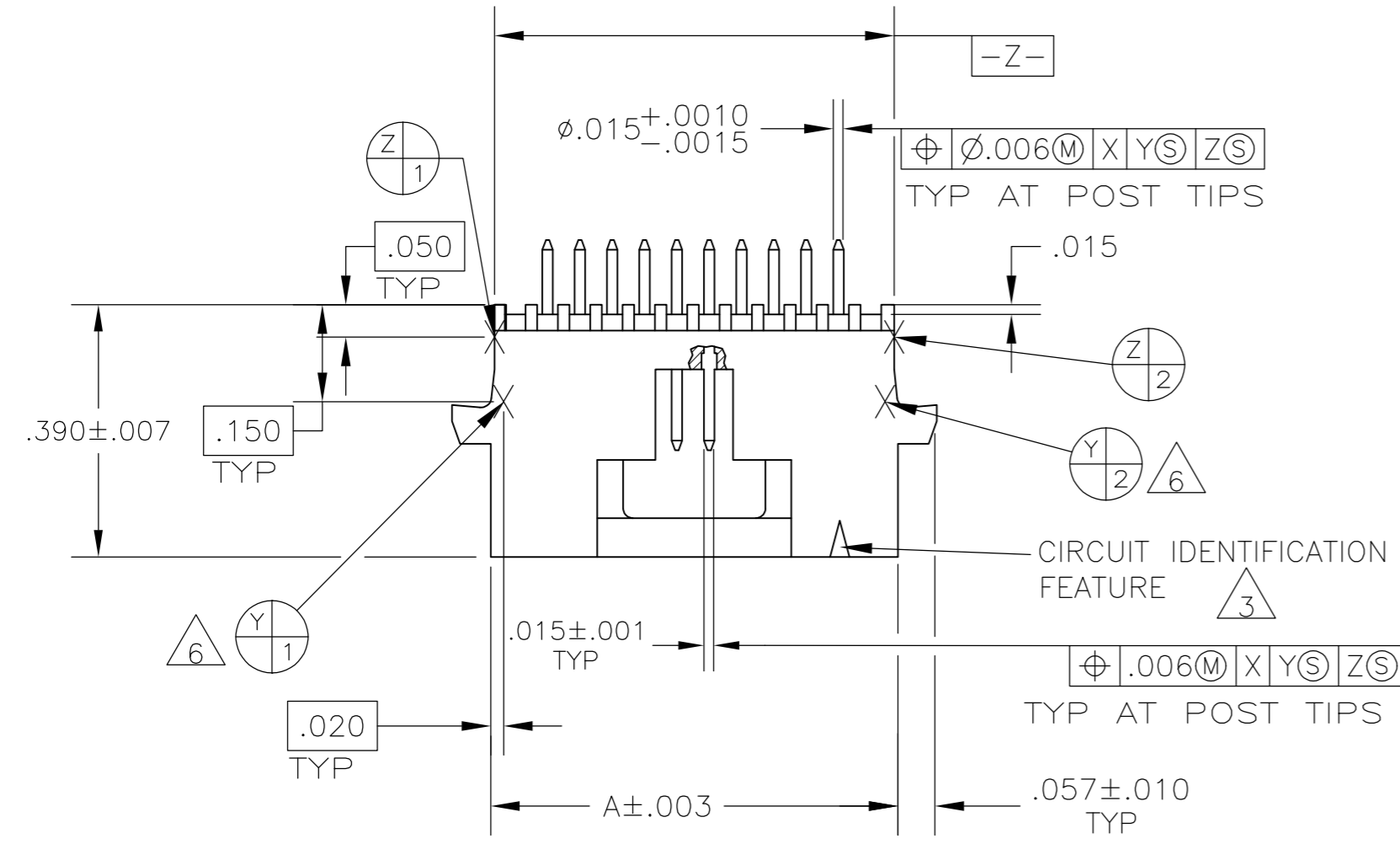


THIS DRAWING IS UNPUBLISHED. RELEASED FOR PUBLICATION
 © COPYRIGHT - By - ALL RIGHTS RESERVED.

LOC	DIST	REVISIONS					
AD	00	P	LTR	DESCRIPTION	DATE	DWN	APVD
		P		REVISED PER ECO-14-004696	05APR2014	NK	JO



BASIC DIMENSIONS FOR
EVEN NO OF SPACES
(SEE TABLE)

BASIC DIMENSIONS FOR
ODD NO OF SPACES
(SEE TABLE)

DETAIL R

- 1 CONTACT AREA PLATED WITH .000030 MIN GOLD; SOLDER TAILS PLATED WITH .000150 MIN TIN-LEAD, ALL OVER .000050 MIN NICKEL
- 2 POINT OF MEASUREMENT FOR PLATING THICKNESS
- 3 CIRCUIT IDENTIFICATION FEATURE OMITTED ON 8,10,12 AND 14 POSN HEADER ASSEMBLIES
- 4 DIMENSION APPLIES AT BASE OF SHROUD
- 5 THE NOTED DIMENSIONS APPLY AT THE INTERSECTION OF THE POST AND HOUSING
- 6 Y 3 Y 4 ARE LOCATED THE SAME AS Y 1 Y 2 EXCEPT ON OPPOSITE SIDE OF HOUSING.
- 7 CONTACT AREA PLATED WITH .000030 MIN. GOLD; SOLDER TAILS PLATED WITH .000150 MIN TIN; ALL OVER .000050 MIN NICKEL
- 8 FINISH: .000001 MIN GOLD ON GOLD PLATED AREA. .000150-.000250 MATTE TIN-LEAD ON TIN PLATED AREA. UNDER PLATING TO BE .000050-.000100 NICKEL ON ENTIRE CONTACT.
- 9 FINISH: .000001 MIN GOLD ON GOLD PLATED AREA. .000150-.000250 MATTE TIN ON TIN PLATED AREA. UNDER PLATING TO BE .000050-.000100 NICKEL ON ENTIRE CONTACT.
- 10 PRELIMINARY PART - NOT RELEASED FOR PRODUCTION
- 11 OBSOLETE

THIS DRAWING IS A CONTROLLED DOCUMENT.		DWN D. CLOUSER 10-3-88	TE Connectivity	
DIMENSIONS: INCHES		CHK T. ZOLA 10-3-88		
TOLERANCES UNLESS OTHERWISE SPECIFIED:		APVD T. ZOLA 10-3-88	NAME	
0 PLC ± -		PRODUCT SPEC	108-1093	
1 PLC ± -		APPLICATION SPEC	114-25031	
2 PLC ± -		WEIGHT	-	
3 PLC ± -		SCALE	4:1	
4 PLC ± -		FINISH	SEE TABLE	
ANGLES ± -		CUSTOMER DRAWING		
MATERIAL HOUSING: THERMOPLASTIC COLOR-BLACK POST: COPPER ALLOY		SIZE A2		CAGE CODE 00779
		DRAWING NO C=104068		RESTRICTED TO -
		SHEET 1 of 2		REV P

THIS DRAWING IS UNPUBLISHED. RELEASED FOR PUBLICATION
 © COPYRIGHT - By - ALL RIGHTS RESERVED.

LOC	DIST	REVISIONS					
AD	00	P	LTR	DESCRIPTION	DATE	DWN	APVD
		-	-	SEE SHEET 1	-	-	-

9	1.650	33	1.830	68	10	8-104068-8	
	2.450	49	2.630	100		8-104068-7	
	1.950	39	2.130	80	10	8-104068-6	
	1.750	35	1.930	72	10	8-104068-5	
	1.050	21	1.230	44	10	8-104068-4	
	.800	16	.980	34		8-104068-3	
	.600	12	.780	26	10	8-104068-2	
	.550	11	.730	24	10	8-104068-1	
	.350	7	.530	16	10	8-104068-0	
	.300	6	.480	14	10	7-104068-9	
	.250	5	.430	12	10	7-104068-8	
	.150	3	.330	8		7-104068-7	
	1.450	29	1.630	60	10	7-104068-6	
	1.200	24	1.380	50	10	7-104068-5	
	.950	19	1.130	40	10	7-104068-4	
	.700	14	.880	30	10	7-104068-3	
	.200	4	.380	10	10	7-104068-2	
	.450	9	.630	20	10	7-104068-1	
	7	1.650	33	1.830	68		6-104068-8
		2.450	49	2.630	100		6-104068-7
1.950		39	2.130	80		6-104068-6	
1.750		35	1.930	72		6-104068-5	
1.050		21	1.230	44		6-104068-4	
.800		16	.980	34		6-104068-3	
.600		12	.780	26		6-104068-2	
.550		11	.730	24		6-104068-1	
.350		7	.530	16		6-104068-0	
.300		6	.480	14		5-104068-9	
.250		5	.430	12		5-104068-8	
.150		3	.330	8	11	5-104068-7	
1.450		29	1.630	60		5-104068-6	
1.200		24	1.380	50		5-104068-5	
.950		19	1.130	40		5-104068-4	
.700		14	.880	30		5-104068-3	
.200		4	.380	10		5-104068-2	
.450		9	.630	20		5-104068-1	
FINISH		C	B	A	NO OF POS	PART NUMBER	

8	1.650	33	1.830	68	10	3-104068-8	
	2.450	49	2.630	100	10	3-104068-7	
	1.950	39	2.130	80	10	3-104068-6	
	1.750	35	1.930	72	10	3-104068-5	
	1.050	21	1.230	44	10	3-104068-4	
	.800	16	.980	34	10	3-104068-3	
	.600	12	.780	26	10	3-104068-2	
	.550	11	.730	24	10	3-104068-1	
	.350	7	.530	16	10	3-104068-0	
	.300	6	.480	14	10	2-104068-9	
	.250	5	.430	12	10	2-104068-8	
	.150	3	.330	8	10	2-104068-7	
	1.450	29	1.630	60	10	2-104068-6	
	1.200	24	1.380	50	10	2-104068-5	
	.950	19	1.130	40	10	2-104068-4	
	.700	14	.880	30	10	2-104068-3	
	.200	4	.380	10	10	2-104068-2	
	.450	9	.630	20	10	2-104068-1	
	1	1.650	33	1.830	68		1-104068-8
		2.450	49	2.630	100		1-104068-7
1.950		39	2.130	80		1-104068-6	
1.750		35	1.930	72		1-104068-5	
1.050		21	1.230	44		1-104068-4	
.800		16	.980	34		1-104068-3	
.600		12	.780	26		1-104068-2	
.550		11	.730	24		1-104068-1	
.350		7	.530	16		1-104068-0	
.300		6	.480	14		104068-9	
.250		5	.430	12		104068-8	
.150		3	.330	8	11	104068-7	
1.450		29	1.630	60		104068-6	
1.200		24	1.380	50		104068-5	
.950		19	1.130	40		104068-4	
.700		14	.880	30		104068-3	
.200		4	.380	10		104068-2	
.450		9	.630	20		104068-1	
FINISH		C	B	A	NO OF POS	PART NUMBER	

THIS DRAWING IS A CONTROLLED DOCUMENT.		DWN	10-3-88	TE TE Connectivity
		CHK	10-3-88	
		APVD	10-3-88	
		PRODUCT SPEC		
DIMENSIONS: INCHES	TOLERANCES UNLESS OTHERWISE SPECIFIED:	NAME	HEADER ASSEMBLY, VERTICAL SHROUDED, DOUBLE ROW W/SIDE & END LATCHES, AMPMODU System 50	
	0 PLC ± - 1 PLC ± - 2 PLC ± - 3 PLC ± - 4 PLC ± - ANGLES ± -	108-1093	SIZE	CAGE CODE
MATERIAL	FINISH	114-25031	DRAWING NO	RESTRICTED TO
	SEE TABLE	WEIGHT -	A2 00779	104068
CUSTOMER DRAWING			SCALE 4:1	SHEET 2 of 2

Mouser Electronics

Authorized Distributor

Click to View Pricing, Inventory, Delivery & Lifecycle Information:

[TE Connectivity:](#)

[5-104068-3](#)