

WAU24-200

Electrical Specifications (@25C)

1. Primary Rating: 120V 60Hz (7.2W @ Full Load)
2. Primary Excitation Current: 55mA Max
3. Secondary Rating: 24VAC ± 5%, 200 mA AC
4. Secondary No-Load Rating: 26.55VAC Ref.
5. No load power (stand by): ≤0.5W
6. Average Efficiency: 80%
7. Operating Temperature Range: -10 Deg C to +40 Deg C
8. Temperature Rise: 75 Deg C Max at rated load
50 Deg C Max on enclosure surface

Mechanical Parameters:

Case Type: Thermoplastic molded enclosure.
Output Cord: 22 AWG, 6 Ft. Long Min.

Agency File:

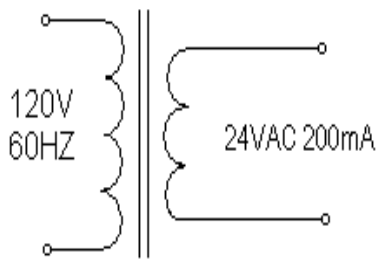
UL/CUL: File E245587, UL 1310

A. Dimension:

H	W	D
70	50	41

*Units: In Millimeter

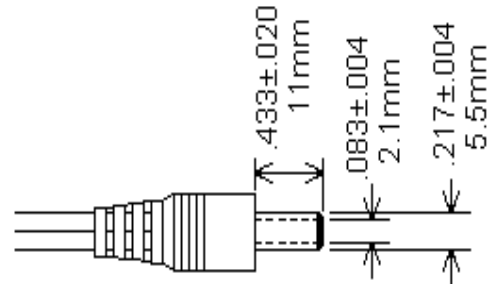
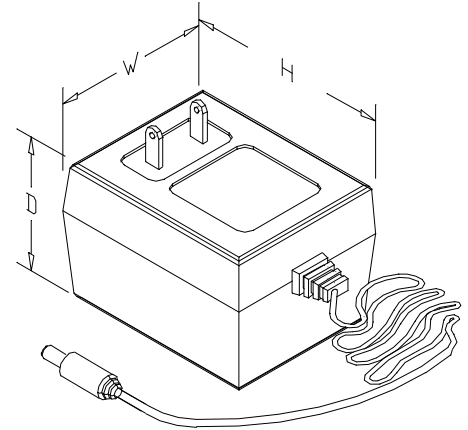
B. Schematic:



DOE Compliance: Effective December 30, 2017, the DOE will now not consider an external power supply with specific characteristics to meet the definition of a device that is subject to EPCA regulation, as long as the power supply is not distributed for use with consumer products.


RoHS Compliance: As of manufacturing date February 2016, all standard products meet the requirements of 2015/863/EU, known as the RoHS 3 initiative.

Upon printing, this document is considered “uncontrolled”. Please contact Triad Magnetics’ website for the most current version.




TRIAD

CLASS 2 POWER SUPPLY
MODEL: WAU24-200
INPUT: 120VAC 60Hz, 7.2W
OUTPUT: 24VAC @200mA



LISTED
5G86
E245587



MADE IN CHINA XXXX

FOR INDUSTRIAL AND COMMERCIAL USE ONLY

Mouser Electronics

Authorized Distributor

Click to View Pricing, Inventory, Delivery & Lifecycle Information:

[Triad Magnetics:](#)

[WAU24-200](#)