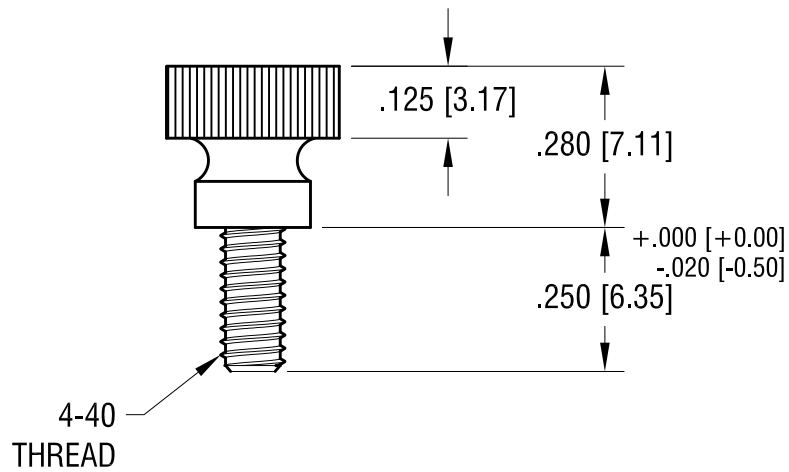
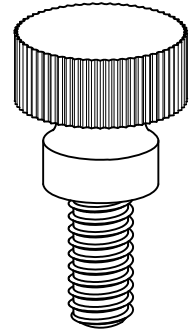
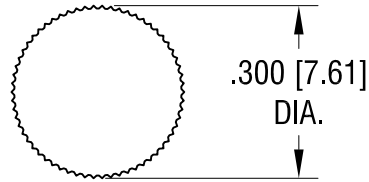


THIS DOCUMENT IS THE PROPERTY OF  
KEYSTONE ELECTRONICS CORP. AND  
SHALL NOT BE REPRODUCED, DISTRIBUTED  
OR USED AS A BASIS FOR MANUFACTURE  
WITHOUT PRIOR WRITTEN PERMISSION  
FROM KEYSTONE ELECTRONICS CORP.



**KEYSTONE ELECTRONICS CORP.**

www.keyelco.com • ASTORIA, N.Y. 11105-2017 • Tel (718) 956-8900

PART NAME

KNURL HEAD THUMB SCREW

MATERIAL

NYLON 6/6

FINISH

-

DRN BY

NT

DATE

3.22.11

APP'D

LN

SCALE

3X

8.04.11 CHANGE AS PER ECN 11-100

A

TOLERANCES

INCH [MM]

DECIMAL  $\pm .010$  [ $\pm 0.25$ ]

ANGULAR  $\pm 1^\circ$

UNLESS OTHERWISE SPECIFIED

CODE

DWG NO.

C/M

2500

DATE

DESCRIPTION

REV.

# Mouser Electronics

Authorized Distributor

Click to View Pricing, Inventory, Delivery & Lifecycle Information:

[Keystone Electronics:](#)

[2500](#)