

4

3

2

1

THIS DRAWING IS UNPUBLISHED.

RELEASED FOR PUBLICATION

---

© COPYRIGHT - By TE Connectivity

ALL RIGHTS RESERVED.

LOC  
HB

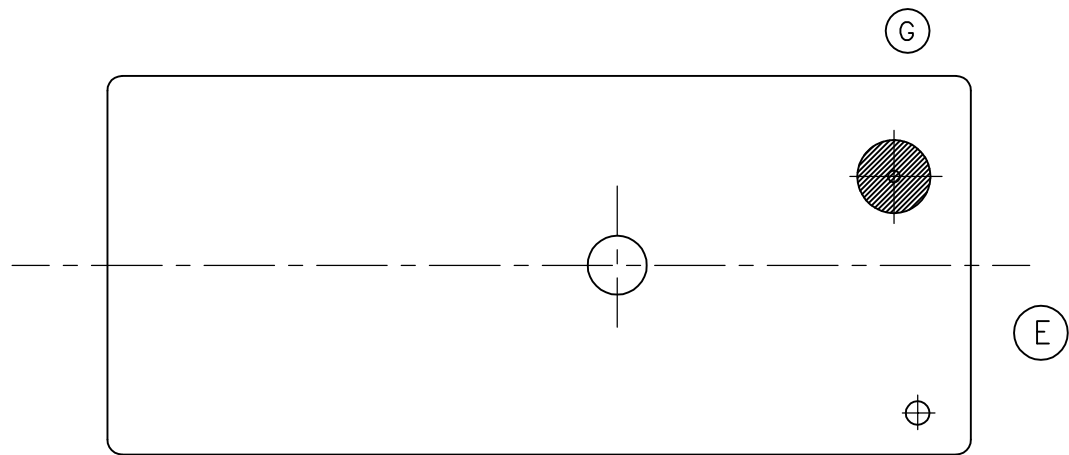
DIST  
-

REVISIONS

| P | LTR | DESCRIPTION   | DATE      | DWN  | APVD |
|---|-----|---|-----------|------|------|
| G |     | CHANGE THE VENT HOLE SHAPE FROM RECTANGLE TO CIRCLE ONE | 16-DEC-13 | XL,Y | B,F  |

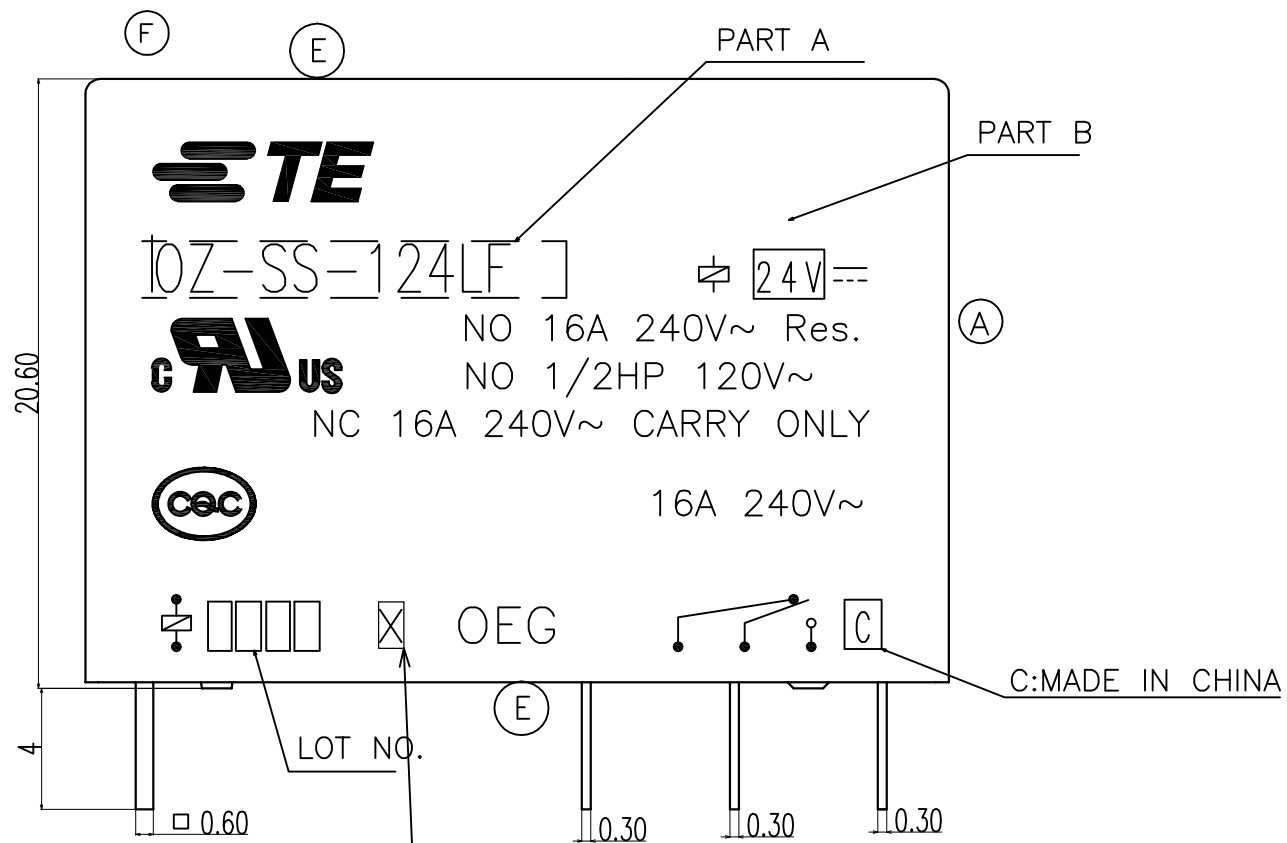
D

D



C

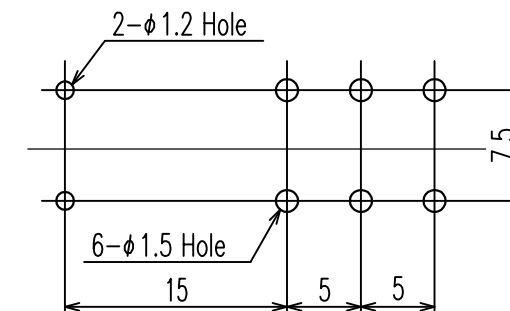
C



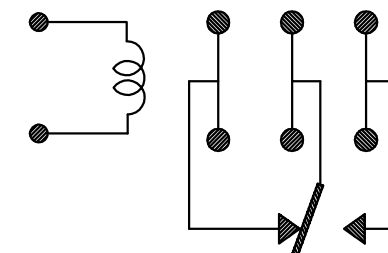
B

B

DRILLING DIAGRAM(2/1)  
(BOTTOM VIEW)



CIRCUIT DIAGRAM  
(BOTTOM VIEW)



A

A

|  |  |                   |                             |                  |            |               |           |
|--|--|-------------------|-----------------------------|------------------|------------|---------------|-----------|
| THIS DRAWING IS A CONTROLLED DOCUMENT. |  | DWN<br>H.SASAKI   | TE Connectivity             |                  |            |               |           |
| DIMENSIONS:<br>mm                      |  | CHK<br>N.FUNAYAMA |                             |                  |            |               |           |
| TOLERANCES UNLESS OTHERWISE SPECIFIED: |  | APVD<br>A.NAGAI   | NAME<br>OZ CUSTOMER DRAWING |                  |            |               |           |
| 0 PLC ±-                               |  | PRODUCT SPEC      | SIZE                        | CAGE CODE        | DRAWING NO | RESTRICTED TO |           |
| 1 PLC ±-                               |  | APPLICATION SPEC  | A3                          | 00779            | C=1461869  | -             |           |
| 2 PLC ±-                               |  | MATERIAL          | WEIGHT                      | CUSTOMER DRAWING |            |               | SCALE 4:1 |
| 3 PLC ±-                               |  | FINISH            |                             | SHEET 1 of 2     |            |               | REV G     |
| 4 PLC ±-                               |  |                   |                             |                  |            |               |           |
| ANGLES ±-                              |  |                   |                             |                  |            |               |           |

THIS DRAWING IS UNPUBLISHED.

RELEASED FOR PUBLICATION

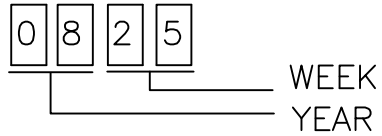
- . -

© COPYRIGHT - By TE Connectivity

ALL RIGHTS RESERVED.

| LOC | DIST | REVISIONS   |      |     |      |
|-----|------|-------------|------|-----|------|
| P   | LTR  | DESCRIPTION | DATE | DWN | APVD |
| HB  | -    | SEE SHEET 1 | -    | -   | -    |

(E) NOTES:  
1.LOT NO. SYSTEM AS FOLLOWING:



2.GENERAL TOLERANCE AS FOLLOWING:

| TOLERANCE  |      |
|------------|------|
| 0~0.99mm   | ±0.1 |
| 1mm~2.99mm | ±0.2 |
| 3mm MIN.   | ±0.3 |

3.TERMINAL DIMENSION IS NOT INCLUDING SOLDER TIP.

(F) 4.FOR THE TIN-PLATING OF THE PINS:  
+0.1mm FOR WIDTH,THICKNESS AND DIAMETER.  
+0.5mm FOR LENGTH.

|      |            |              |        |             |      |
|------|------------|--------------|--------|-------------|------|
| (D1) | 1461869-5  | OZ-SS-109LF  | 9V     | OZ-SS-109LF | e    |
| (B)  | 1461869-4  | OZ-SH-112LF  | 12V    | OZ-SH-112LF | d    |
| (B)  | 1461869-3  | OZ-SS-112LF  | 12V    | OZ-SS-112LF | c    |
|      | 1461869-2  | OZ-SH-124LF  | 24V    | OZ-SH-124LF | b    |
|      | 1461869-1  | OZ-SS-124LF  | 24V    | OZ-SS-124LF | a    |
|      | TE PART NO | EC TYPE NAME | PART B | PART A      | ITEM |

RELAY TYPE

|                  |            |             |                    |      |
|------------------|------------|-------------|--------------------|------|
|                  |            | EPOXY RESIN | SEAL               | 16   |
|                  |            | Cu ALLOY    | HINGE SPRING       | 15   |
|                  |            | PBT         | CASE               | 14   |
|                  |            | MW79        | MAGNETIC WIRE      | 13   |
| UL94V-0          |            | PET         | BASE               | 12   |
| UL94HB           |            | PA66 NYLON  | BOBBIN             | 11   |
|                  | SOLDER DIP | Cu ALLOY    | COIL TERMINAL      | 10   |
| UL94V-0          |            | PPS         | CARD               | 9    |
|                  |            | Ag ALLOY    | MOVABLE CONTACT    | 8    |
|                  |            | Ag ALLOY    | STATIONARY CONTACT | 7    |
|                  | SOLDER DIP | Cu ALLOY    | NC-TERMINAL        | 6    |
|                  | SOLDER DIP | Cu ALLOY    | MOVABLE SPRING     | 5    |
|                  | SOLDER DIP | Cu ALLOY    | NO-TERMINAL        | 4    |
|                  | Ni PLATED  | STEEL       | CORE               | 3    |
|                  | Ni PLATED  | STEEL       | ARMATURE           | 2    |
|                  | Ni PLATED  | STEEL       | YOKE               | 1    |
| INCOMBUSTIBILITY | TREATMENT  | MATERIAL    | DESCRIPTION        | ITEM |

|  |  |                   |                     |           |            |
|--|--|-------------------|---------------------|-----------|------------|
| THIS DRAWING IS A CONTROLLED DOCUMENT. |  | DWN<br>H.SASAKI   |                     |           |            |
| DIMENSIONS:<br>mm                      |  | CHK<br>N.FUNAYAMA |                     |           |            |
| TOLERANCES UNLESS OTHERWISE SPECIFIED: |  | APVD<br>A.NAGAI   | NAME                |           |            |
| 0 PLC ± -                              |  | PRODUCT SPEC      | OZ CUSTOMER DRAWING |           |            |
| 1 PLC ± -                              |  | APPLICATION SPEC  | SIZE                | CAGE CODE | DRAWING NO |
| 2 PLC ± -                              |  | WEIGHT            | A3                  | 00779     | C=1461869  |
| 3 PLC ± -                              |  | CUSTOMER DRAWING  | RESTRICTED TO       | -         |            |
| 4 PLC ± -                              |  |                   | SCALE               | SHEET     | REV        |
| ANGLES ± -                             |  |                   | 4:1                 | 2 of 2    | G          |
| FINISH                                 |  |                   |                     |           |            |

# Mouser Electronics

Authorized Distributor

Click to View Pricing, Inventory, Delivery & Lifecycle Information:

[TE Connectivity:](#)

[1461869-3](#)