

TECHNICAL CHARACTERISTICS

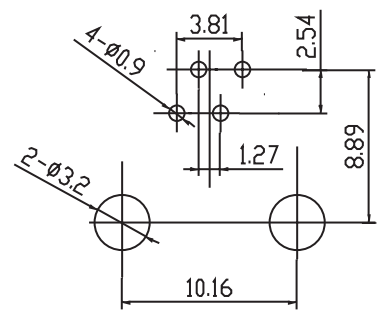
**MATERIAL**  
 INSULATOR MATERIAL: PBT  
 FLAMMABILITY RATING: UL94-V0  
 COLOR: BLACK  
 CONTACT MATERIAL: COPPER ALLOY  
 CONTACT TYPE: STAMPED  
 CONTACT PLATING: GOLD  
 QUALITY CLASS: 500 MATING CYCLES

**ENVIRONMENTAL**  
 OPERATING TEMPERATURE: -25 °C UP TO 85 °C  
 COMPLIANCE: LEAD FREE AND ROHS



**ELECTRICAL**  
 CURRENT RATING: 1.5 A  
 WORKING VOLTAGE: 120 VAC  
 INSULATION RESISTANCE: >500 mΩ  
 DIELECTRIC WITHSTANDING VOLTAGE: 1 000 VAC/MIN  
 CONTACT RESISTANCE: 20 mΩ MAX

**SOLDERING**  
 JEDEC LEAD FREE WAVE SOLDERING PROCESS

**PACKAGING**  
 TRAY



PCB LAYOUT - COMPONENT VIEW

RoHS Compliant				PROJECTION: 	GENERAL TOLERANCE .X = +/- 0.2 .XX = +/- 0.15		DESCRIPTION: RJ11 6P4C HORIZONTAL TAB DOWN WERI PART NO: 615 004 141 121	SIZE <b>A4</b>
G								
F								
E								
D				APPROVAL: RJ	UNIT: MM	DESCRIPTION: RJ11 6P4C HORIZONTAL TAB DOWN WERI PART NO: 615 004 141 121		SIZE <b>A4</b>
C	28-JUL-14	GENERAL UPDATE	AS		SCALE:			
B	03-JAN-14	TPK DWG ADD	QL		SHEET: 1/1			
A	24-APR-08	PDF	CH		DRAW:			
REV	DATE	FILE	BY					

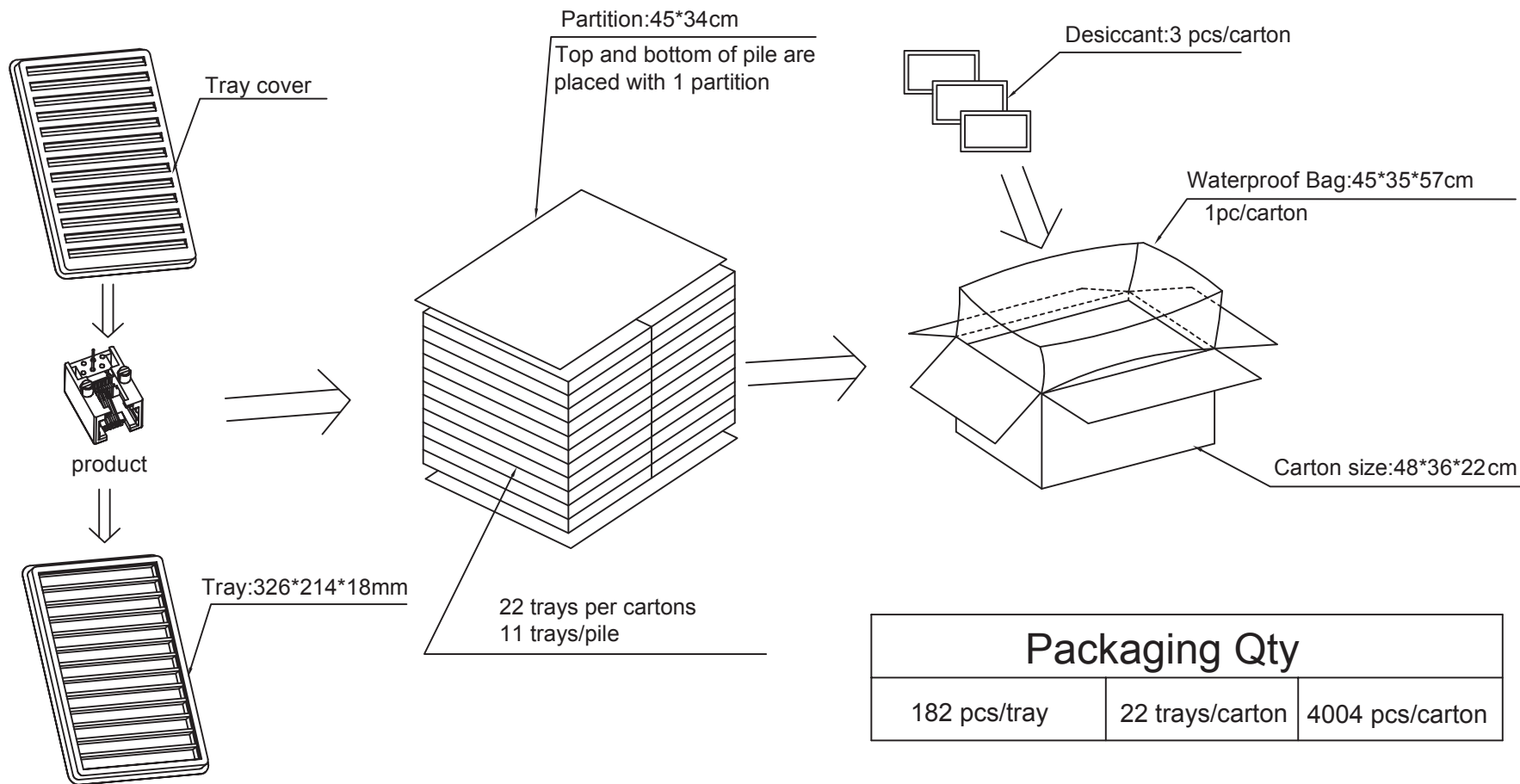
1

2

3

4

5



A

B

C

RoHS Compliant

G			
F			
E			
D			
C			
B			
A			
REV	DATE	FILE	BY

PROJECTION:

GENERAL TOLERANCE

.X = +/- 0.2

.XX = +/- 0.15



APPROVAL: RJ

UNIT: MM

SCALE:

SHEET: 1/1

DRAW:

DESCRIPTION: RJ11 6P4C HORIZONTAL TAB DOWN

WERI PART NO: 615 004 141 121

SIZE

**A4**

D

# Mouser Electronics

Authorized Distributor

Click to View Pricing, Inventory, Delivery & Lifecycle Information:

[Wurth Electronics:](#)

[615004141121](#)